

## Features

- Four independent clock channels
- Four programmable digital PLLs/Numerically Controlled Oscillators (NCOs)
- Programmable synthesizers generate any clock-rate from 1 kHz to 750 MHz
- Four precision synthesizers generate clocks with low jitter for 10 G PHYs
- Programmable digital PLLs synchronize to any clock rate from 1 kHz to 750 MHz
- Flexible two-stage architecture translates between arbitrary data rates, line coding rates and FEC rates
- Digital PLLs filter jitter at 5.2 Hz, 14 Hz, 28 Hz, 56 Hz, 112 Hz, 224 Hz, 448 Hz or 896 Hz
- Automatic hitless reference switching and digital holdover on reference fail
- Eight reference inputs configurable as single ended or differential

**Ordering Information**

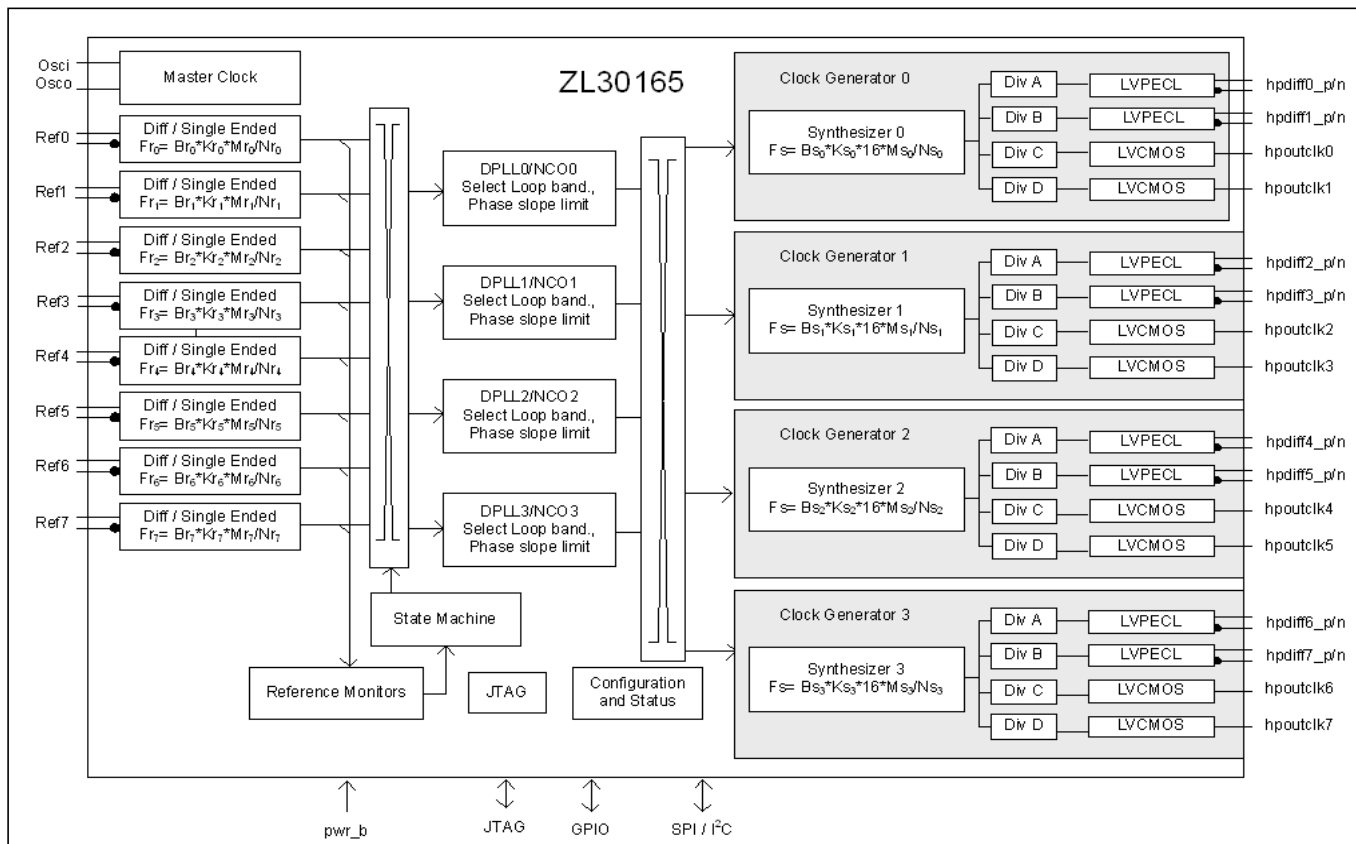
ZL30165GDG2 144 Pin LPGA      Trays

Pb Free Tin/Silver/Copper  
**-40°C to +85°C**  
 Package Size: 13 x 13 mm

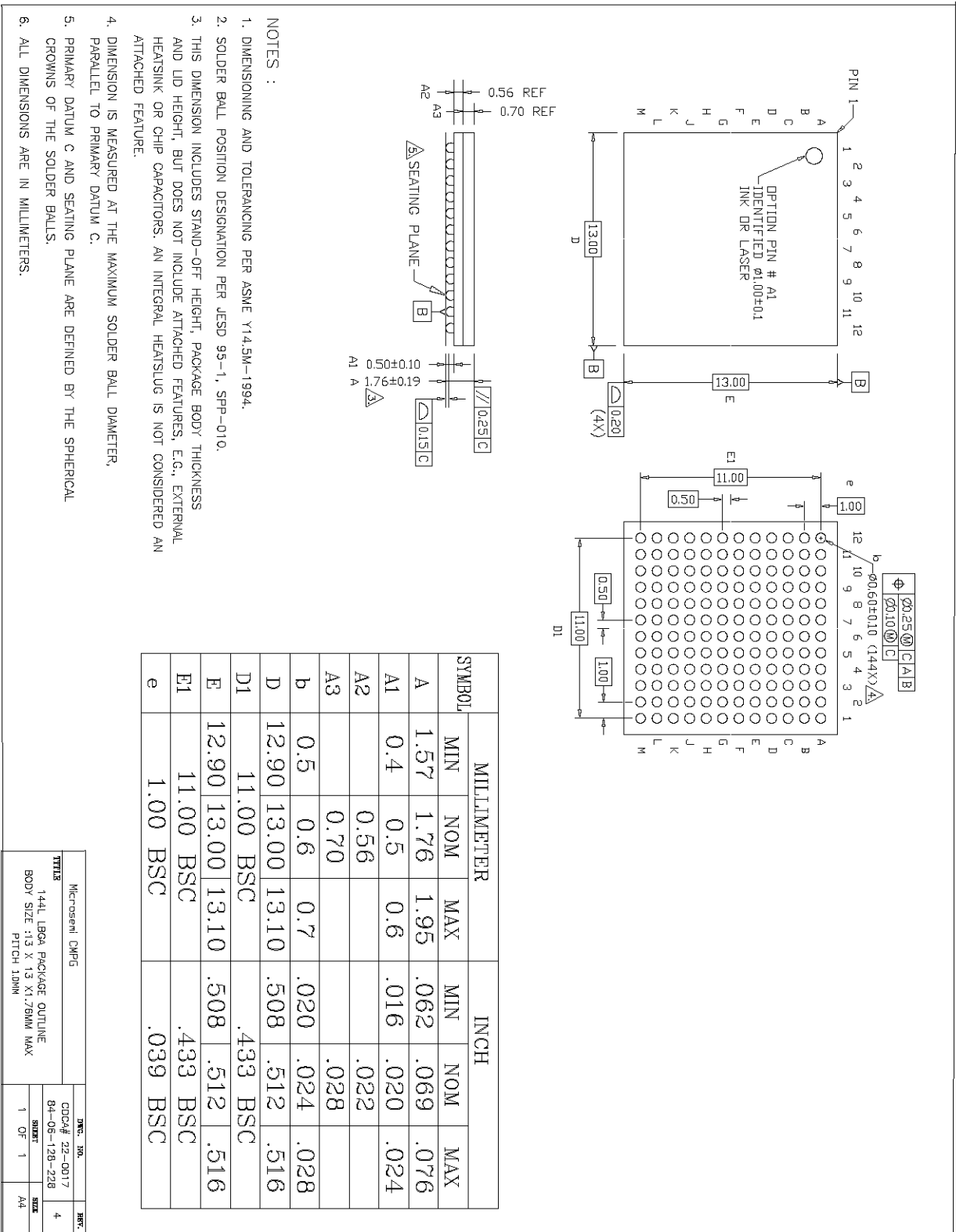
- Eight LVPECL outputs and eight LVCMOS outputs
- Operates from a single crystal resonator or clock oscillator
- Field programmable via SPI/I<sup>2</sup>C interface

## Applications

- OTN muxponders and transponders
- 10 Gigabit line cards
- Synchronous Ethernet, 10 GBASE-R and 10 GBASE-W
- SONET/SDH, Fibre Channel, XAUI



1.0 Mechanical Drawing



- NOTES :
1. DIMENSIONING AND TOLERANCING PER ASME Y14.5M-1994.
  2. SOLDER BALL POSITION DESIGNATION PER JE5D 95-1, SFP-010.
  3. THIS DIMENSION INCLUDES STAND-OFF HEIGHT, PACKAGE BODY THICKNESS AND LID HEIGHT, BUT DOES NOT INCLUDE ATTACHED FEATURES, E.G., EXTERNAL HEATSINK OR CHIP CAPACITORS. AN INTEGRAL HEATSLUG IS NOT CONSIDERED AN ATTACHED FEATURE.
  4. DIMENSION IS MEASURED AT THE MAXIMUM SOLDER BALL DIAMETER, PARALLEL TO PRIMARY DATUM C.
  5. PRIMARY DATUM C AND SEATING PLANE ARE DEFINED BY THE SPHERICAL CROWNS OF THE SOLDER BALLS.
  6. ALL DIMENSIONS ARE IN MILLIMETERS.

SYMBOL	MILLIMETER			INCH		
	MIN	NOM	MAX	MIN	NOM	MAX
A	1.57	1.76	1.95	.062	.069	.076
A1	0.4	0.5	0.6	.016	.020	.024
A2		0.56			.022	
A3		0.70			.028	
b	0.5	0.6	0.7	.020	.024	.028
D	12.90	13.00	13.10	.508	.512	.516
D1	11.00	BSC		.433	BSC	
E	12.90	13.00	13.10	.508	.512	.516
E1	11.00	BSC		.433	BSC	
e	1.00	BSC		.039	BSC	

Microsemi CMPS		DWG. NO.		REV.	
TTTTLS		CPCA# 22-0017		4	
144L BGA PACKAGE OUTLINE		84-05-128-228		SHEET	
BODY SIZE :13 X 13 X1.75MM MAX		PITCH 1.0MM		1 OF 1	
		SIZE		A4	



**For more information about all Microsemi products  
visit our Web Site at**

**[www.microsemi.com](http://www.microsemi.com)**

Information relating to products and services furnished herein by Microsemi Corporation or its subsidiaries (collectively "Microsemi") is believed to be reliable. However, Microsemi assumes no liability for errors that may appear in this publication, or for liability otherwise arising from the application or use of any such information, product or service or for any infringement of patents or other intellectual property rights owned by third parties which may result from such application or use. Neither the supply of such information or purchase of product or service conveys any license, either express or implied, under patents or other intellectual property rights owned by Microsemi or licensed from third parties by Microsemi, whatsoever. Purchasers of products are also hereby notified that the use of product in certain ways or in combination with Microsemi, or non-Microsemi furnished goods or services may infringe patents or other intellectual property rights owned by Microsemi.

This publication is issued to provide information only and (unless agreed by Microsemi in writing) may not be used, applied or reproduced for any purpose nor form part of any order or contract nor to be regarded as a representation relating to the products or services concerned. The products, their specifications, services and other information appearing in this publication are subject to change by Microsemi without notice. No warranty or guarantee express or implied is made regarding the capability, performance or suitability of any product or service. Information concerning possible methods of use is provided as a guide only and does not constitute any guarantee that such methods of use will be satisfactory in a specific piece of equipment. It is the user's responsibility to fully determine the performance and suitability of any equipment using such information and to ensure that any publication or data used is up to date and has not been superseded. Manufacturing does not necessarily include testing of all functions or parameters. These products are not suitable for use in any medical **and other** products whose failure to perform may result in significant injury or death to the user. All products and materials are sold and services provided subject to Microsemi's conditions of sale which are available on request.

Purchase of Microsemi's I2C components conveys a license under the Philips I2C Patent rights to use these components in an I2C System, provided that the system conforms to the I2C Standard Specification as defined by Philips.

Microsemi, ZL, and combinations thereof, VoiceEdge, VoicePort, SLAC, ISLIC, ISLAC and VoicePath are trademarks of Microsemi Corporation.

**TECHNICAL DOCUMENTATION - NOT FOR RESALE**

---