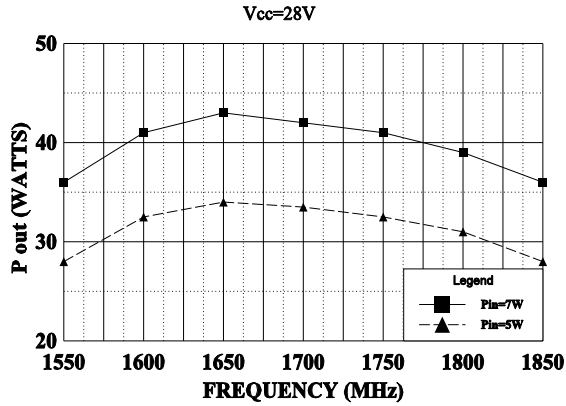
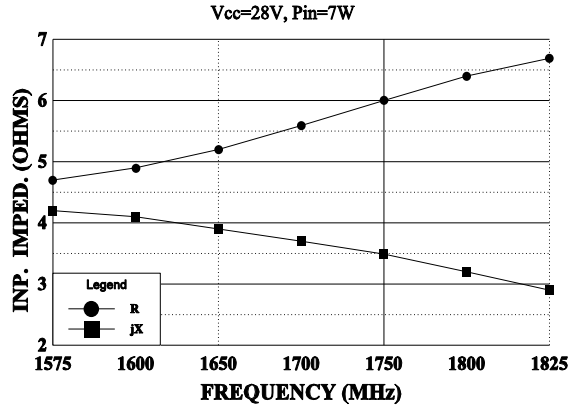


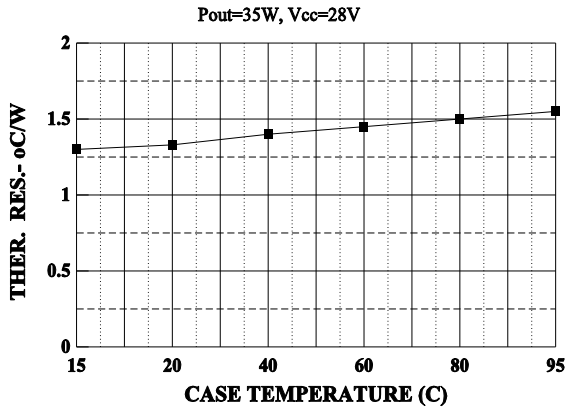
POWER OUTPUT vs FREQUENCY



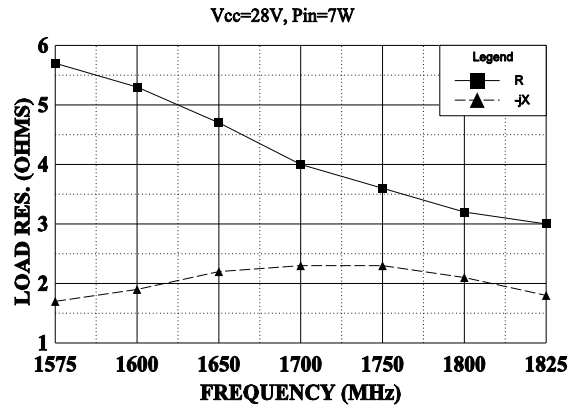
SERIES INPUT IMPEDANCE vs FREQUENCY



THERMAL RESISTANCE vs CASE TEMPERATURE



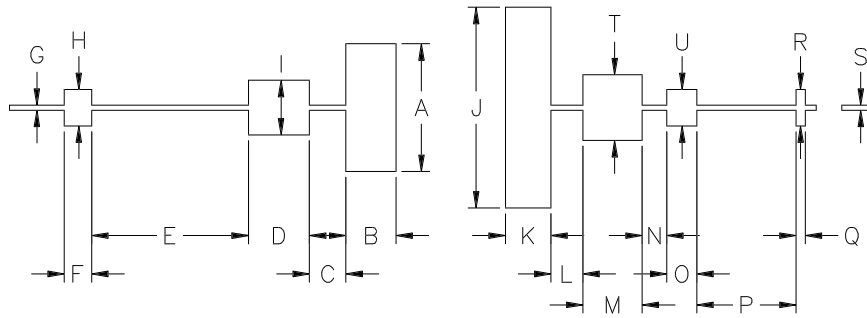
SERIES LOAD IMPEDANCE vs FREQUENCY



REVISIONS

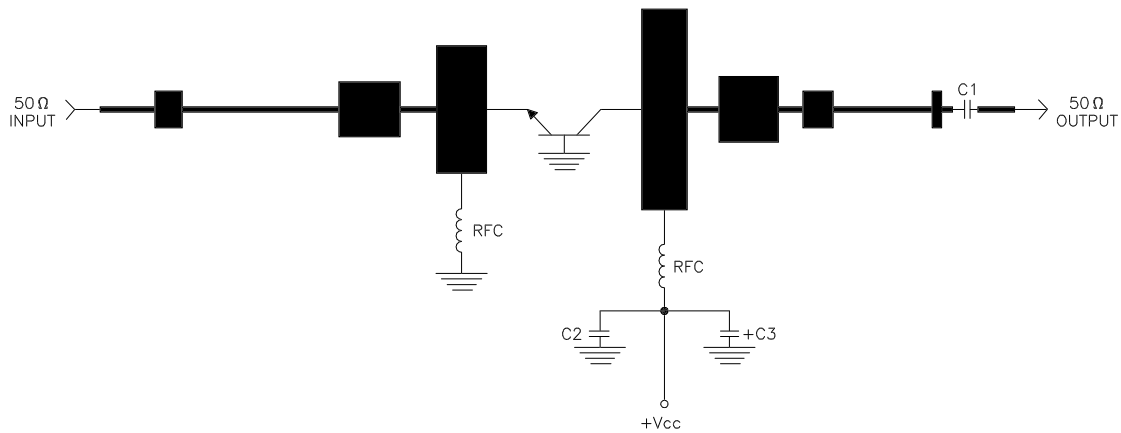
ZONE	REV	DESCRIPTION	DATE	APPROVED
------	-----	-------------	------	----------

DIM	INCHES
A	.700
B	.275
C	.200
D	.335
E	.860
F	.150
G	.028
H	.200
I	.300
J	1.100
K	.250
L	.175
M	.325
N	.135
O	.165
P	.545
Q	.050
R	.200
S	.028
T	.360
U	.200



1618-35 TEST AMPLIFIER

f = 1.6-1.8 GHz



— = Microstrip on 0.010" Duroid, Er=2.3
 C1,C2 = 82 pf CHIP CAP
 C3 = 1μfd @ 35 Volts



CAGE OPJR2	DWG NO. 1618-35	REV A
	SCALE 1/1	SHEET