

101328C

FB500-81.6/27.6/8.4 Switched Filter Module

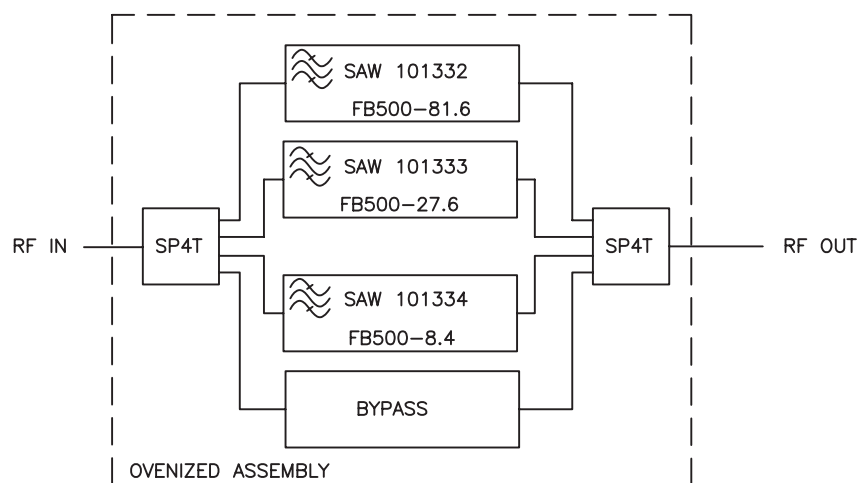
Specifications

Parameter	Symbol	Unit	101332	101333	101334
Filter Component			101332	101333	101334
Center Frequency	F_0	MHz defined	500	500	500
Bandwidth	B	MHz defined	82	27.6	8.4
-3dB Bandwidth	B_3	MHz min	86.6	28.7	9.4
-40dB Bandwidth	B_{40}	MHz max	97.7	33.2	12.4
Delay	T_0	μ sec typ	0.354	1.012	1.576
Amplitude Ripple		dB _{P-P} max	1	1	1
Phase Ripple		deg _{P-P} max	4	6	3
Rejection		dB max	42	44	46
Spurious for $ t - T_0 > .9T_0$		dB max	-46	-42	-48
Gain		dB min	-28	-28	-28
Return Loss		dB min	10		
DC Power	15V @ 100mA, 5V @ 50mA, Oven -15V @ 600mA (2A Max.)				

Notes

Switched Filter Module. Filters are maintained at constant temperature for stable operation.

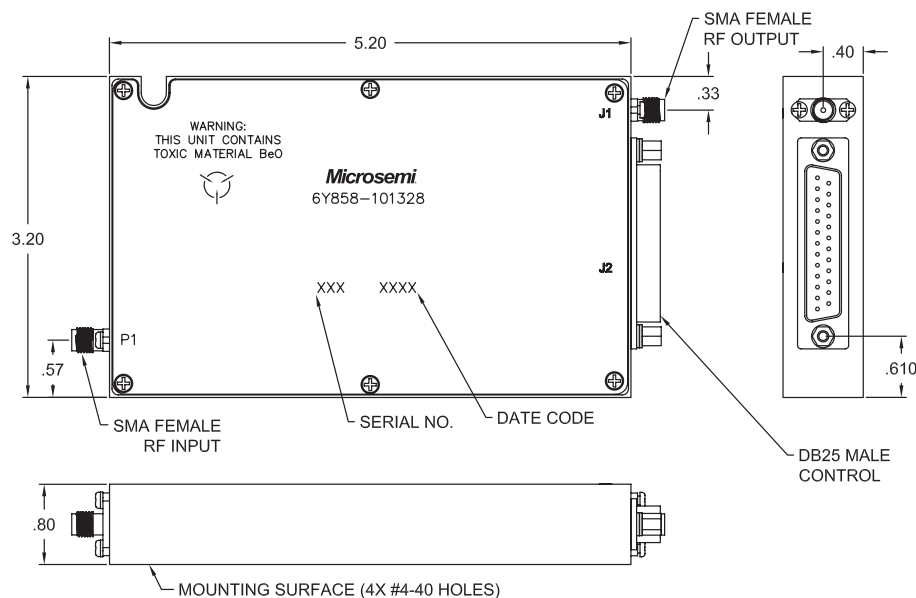
System Block Diagram



101328C

FB500-81.6/27.6/8.4 Switched Filter Module

Package Outline



DB25 PINOUT

PIN	FUNCTION
1,14	-15 VDC, 600mA TYP. (2A MAX)
2,12,15	GND
3	+15 VDC, 100mA
4	EXT THERMISTOR
5	500 MHz SELECT
6	200 MHz SELECT
8	EEPROM-HOLD/
9	EEPROM-SCK
10	EEPROM-SO
13	+5 VDC, 50mA
16	EXT THERMISTOR
17	\MODE ENABLE
18	100 MHz SELECT
19	5 MHz SELECT
21	EEPROM-WP/
22	EEPROM-SI
23	EEPROM-CS/



Microsemi Corporate Headquarters
 One Enterprise, Aliso Viejo, CA 92656 USA
 Within the USA: +1 (800) 713-4113
 Outside the USA: +1 (949) 380-6100
 Fax: +1 (949) 215-4996
 Email: sales.support@microsemi.com
 www.microsemi.com

Microsemi Corporation (Nasdaq: MSCC) offers a comprehensive portfolio of semiconductor and system solutions for aerospace & defense, communications, data center and industrial markets. Products include high-performance and radiation-hardened analog mixed-signal integrated circuits, FPGAs, SoCs and ASICs; power management products; timing and synchronization devices and precise time solutions, setting the world's standard for time; voice processing devices; RF solutions; discrete components; enterprise storage and communication solutions, security technologies and scalable anti-tamper products; Ethernet solutions; Power-over-Ethernet ICs and midspans; as well as custom design capabilities and services. Microsemi is headquartered in Aliso Viejo, California and has approximately 4,800 employees globally. Learn more at www.microsemi.com.

Microsemi makes no warranty, representation, or guarantee regarding the information contained herein or the suitability of its products and services for any particular purpose, nor does Microsemi assume any liability whatsoever arising out of the application or use of any product or circuit. The products sold hereunder and any other products sold by Microsemi have been subject to limited testing and should not be used in conjunction with mission-critical equipment or applications. Any performance specifications are believed to be reliable but are not verified, and Buyer must conduct and complete all performance and other testing of the products, alone and together with, or installed in, any end-products. Buyer shall not rely on any data and performance specifications or parameters provided by Microsemi. It is the Buyer's responsibility to independently determine suitability of any products and to test and verify the same. The information provided by Microsemi hereunder is provided "as is, where is" and with all faults, and the entire risk associated with such information is entirely with the Buyer. Microsemi does not grant, explicitly or implicitly, to any party any patent rights, licenses, or any other IP rights, whether with regard to such information itself or anything described by such information. Information provided in this document is proprietary to Microsemi, and Microsemi reserves the right to make any changes to the information in this document or to any products and services at any time without notice.