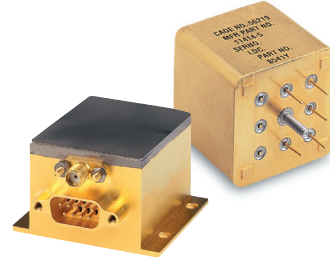


9700

Ultra-miniature Space-Qualified OCXO Series



Key Features

- Output Frequency: 4 MHz - 60 MHz
- Warm-Up Time: ≤ 5 minutes from 25°C
- Fast Warm-Up Option Available
- Low Power Consumption: $< 1.3W$ @ 25°C (In Vacuum)
- Compact Sizes - Typical: 1.33" x 1.33" x 1.33"
- Frequency Aging:
 - 5 MHz: $< 5.0E-11/day$
 - 10 MHz: $< 3.0E-10/day$
- Frequency Change vs. Temperature: $\pm 4.0E-9$ [-40°C to +65°C]
- Radiation Rated: 100 krad (Si)

Options

Available options for this product include:

- Output frequency (4 MHz to 60 MHz available)
- Output format (Sine wave, TTL, or LVDS)
- Panel-mount or PCB-mount package style
- Fast warm-up time: ≤ 5 minutes to within $2.0E-8$ of final frequency from -40°C (+25°C is standard). Warm-up power increases to approx. 14 W.
- Crystal radiation preconditioning

Contact Microsemi® to configure a 9700-series oscillator that will meet your specific needs.

Microsemi's 9700 is an ultra-miniature ovenized crystal oscillator designed to provide a high stability output for a wide variety of military and space applications.

The use of hybrid circuitry allows for the greatest possible reduction in size without compromises in performance or reliability.

Assembly is performed by skilled operators certified to NASA approved workmanship standards. Hybrid circuits are produced at facilities qualified to MIL-PRF-38534C. All discrete components are manufactured and tested standard to grade 1 requirements per MIL-STD-975.

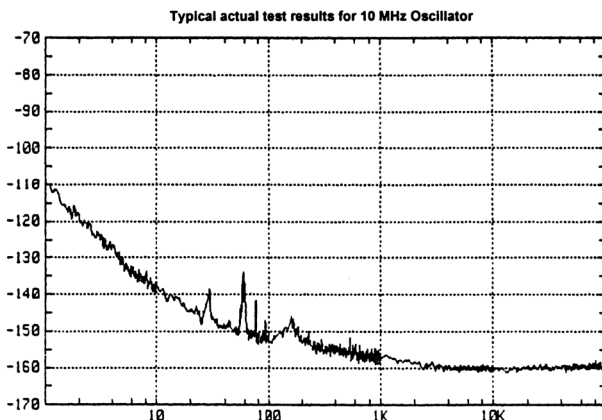
The rugged 9700 features a SC-cut quartz resonator and sustaining electronics that are controlled at a precise temperature to achieve temperature-insensitive performance, and excellent short term stability, phase noise, and aging

characteristics. This allows it to meet the challenges of many space specifications for time and frequency, even under the most adverse environmental conditions.

Backed by an extensive oscillator legacy, the 9700 series can be customized in output frequency, warm-up time, g-sensitivity, and other characteristics, making it useful for applications such as:

- Radio navigation
- Satellite transmission
- Satellite tracking and guidance

This rugged, compact crystal oscillator is especially advantageous when utilized in applications where fast warm-up, low power consumption and small size are required.



Typical phase noise test results for the 10MHz oscillator

9700 SPECIFICATIONS

ELECTRICAL SPECIFICATIONS

	5 MHz	10 MHz
Standard Output Frequency	5 MHz	10 MHz
Initial Accuracy	±5.0E-8	±5.0E-8
Format	Sine wave	Sine wave
	[TTL or LVDS optional]	[TTL or LVDS optional]
Amplitude	7.0 dBm ±1 dB	7.0 dBm ±1 dB
Harmonic distortion	<-30 dBc	<-30 dBc
Non-harmonic distortion	<-90 dBc	<-90 dBc
Load impedance	50 Ω	50 Ω
VSWR	1.5:1	1.5:1

PERFORMANCE PARAMETERS

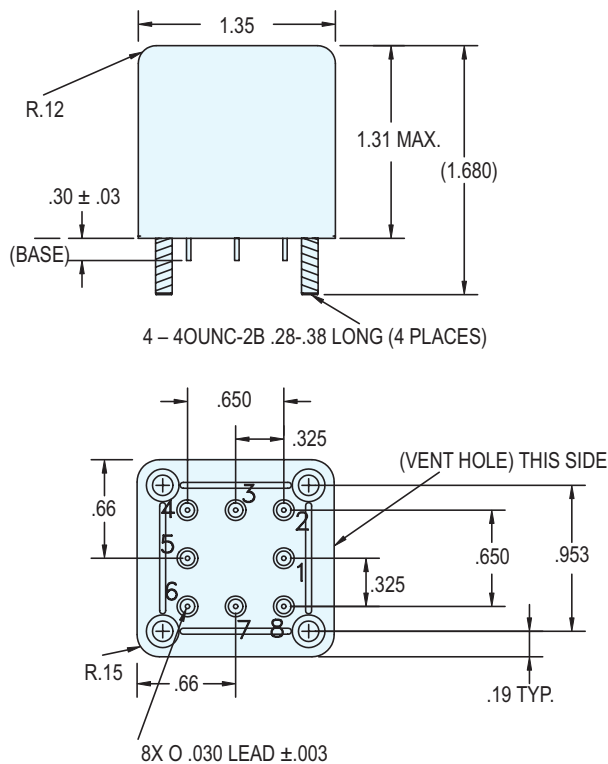
Short-term stability		
1 second (Allan deviation):	<2.0E-12	<5.0E-12
10 second (Allan deviation):	<2.0E-12	<5.0E-12
100 second (Allan deviation):	<5.0E-12	<1.0E-11
SSB phase noise (static)		
1 Hz	-112 dBc	-100 dBc
10 Hz	-140 dBc	-125 dBc
100 Hz	-150 dBc	-145 dBc
1 kHz	-157 dBc	-150 dBc
10 kHz	-160 dBc	-155 dBc
100 kHz	-160 dBc	-155 dBc
Aging		
Per day:	<5.0E-11	<3.0E-10
Per year:	<1.5E-8	<4.0E-8
10 years:	<2.0E-7	<1.0E-6
Frequency Retrace (after up to 24 hrs.off and 1 hour on at 25° C):		
		±1.0E-8
Acceleration sensitivity		
Per g. total gamma	≤3.0E-9	≤1.5E-9
Frequency change vs. Temperature		
-40° C to +65° C:		±4.0E-9
Warm-up time from +25° C	<5 minutes to within 2.0E-8 of final frequency	
Input Voltage		
Range:	12 to 15 VDC	
Sensitivity:	<5.0E-10 for ±5% voltage change	
Steady-state power consumption at 25° C:		
	<1.3 W in vacuum	
Warm-up power consumption:	4 to 8 W	
Electronic Frequency Control (EFC) Range		
	±4.0E-7 minimum	
EFC Input	0 to 5 VDC, (+) sensing	
EFC Linearity	10% typical	
Load change sensitivity:	±1.0E-9 for ±5% load change	

ENVIRONMENTAL & PHYSICAL SPECIFICATIONS

Operating Temperature:	-40° C to +65° C
Storage temperature:	-55° C to +100° C
Random vibration	
Operating (endurance):	35 g rms
Pyrotechnic shock:	3000 g
Radiation Performance:	
Total Dose:	100 kRad (Si)
ELDRS:	Compliant
SEL:	Compliant
Neutron Fluence:	Contact Factory
Prompt Dose Rate:	Contact Factory
EMI/EMC Performance:	Contact Factory
EEE Parts Screening Level	NASA Grade 1 equivalent
MTBF	>6,000,000 hours
Reliability specification:	MIL-HDBK-217F
Weight:	0.10 kg

9700 OUTLINE DRAWING

PCB-MOUNT PACKAGE STYLE

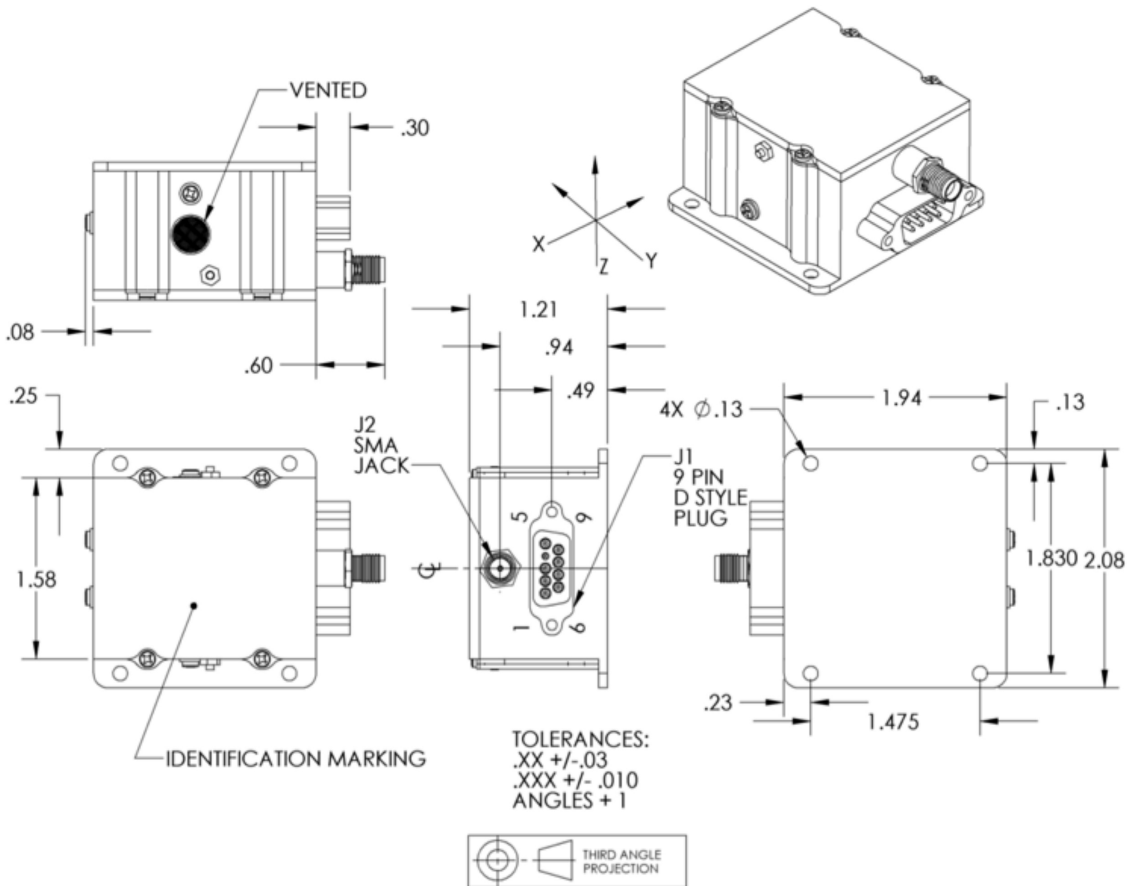


CONNECTION DESCRIPTIONS

PCB-MOUNT PACKAGE STYLE

PIN NO.	FUNCTION
1	RF OUTPUT
2	N/C
3	N/C
4	GROUND/CHASSIS GROUND
5	+12 VDC TO +15 VDC
6	EFC TUNING VOLTAGE INPUT
7	N/C
8	+12VDC TO +15 VDC

9700 OUTLINE DRAWING
PANEL-MOUNT PACKAGE STYLE



CONNECTION DESCRIPTIONS
PANEL-MOUNT PACKAGE STYLE

PIN NO.	FUNCTION
J1-1	POWER +12 VDC TO +15 VDC
J1-2	N/C
J1-3	N/C
J1-4	GROUND/CHASSIS GROUND
J1-5	EFC TUNING VOLTAGE INPUT
J1-6	GROUND/CHASSIS GROUND
J1-7	POWER +12 VDC TO +15 VDC
J1-8	N/C
J1-9	N/C
J2-1	RF OUTPUT



Microsemi
Microsemi Corporate Headquarters
 One Enterprise, Aliso Viejo, CA 92656 USA
 Within the USA: +1 [949] 380-6100
 Sales: +1 [949] 380-6136
 Fax: +1 [949] 215-4996

Microsemi Corporation (Nasdaq: MSCC) offers a comprehensive portfolio of semiconductor solutions for aerospace, defense and security; enterprise and communications; and industrial and alternative energy markets. Products include high-performance, high-reliability analog and RF devices, mixed signals and RF integrated circuits, customizable SoCs, FPGAs, and complete subsystems. Microsemi is headquartered in Aliso Viejo, Calif. Learn more at www.microsemi.com

©2014 Microsemi Corporation. All rights reserved. Microsemi and the Microsemi logo are trademarks of Microsemi Corporation. All other trademarks and service marks are the property of their respective owners.