



**Features**

**Inputs/Outputs**

- Accepts two differential or single-ended inputs
  - LVPECL, LVDS, CML, HCSL, LVCMOS
  - Glitch-free switching of references
- On-chip input termination resistors and biasing for AC coupled inputs
- Six precision LVPECL outputs
- Operating frequency up to 750 MHz

**Power**

- Options for 2.5 V or 3.3 V power supply
- Core current consumption of 110 mA
- On-chip Low Drop Out (LDO) Regulator for superior power supply rejection

**Performance**

- Ultra low additive jitter of 106 fs RMS

**Ordering Information**

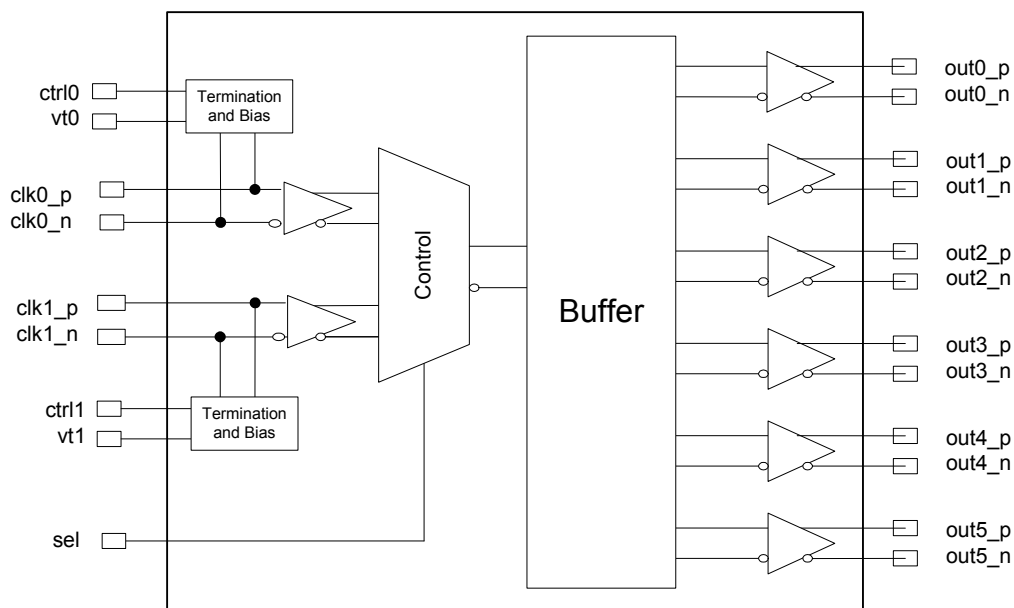
ZL40209LDG1	32 Pin QFN	Trays
ZL40209LDF1	32 Pin QFN	Tape and Reel

Matte Tin

Package size: 5 x 5 mm  
-40°C to +85°C

**Applications**

- General purpose clock distribution
- Low jitter clock trees
- Logic translation
- Clock and data signal restoration
- Redundant clock distribution
- Wired communications: OTN, SONET/SDH, GE, 10 GE, FC and 10G FC
- PCI Express generation 1/2/3 clock distribution
- Wireless communications
- High performance microprocessor clock distribution



**Figure 1 - Functional Block Diagram**

---

## Table of Contents

<b>Features</b> .....	<b>1</b>
Inputs/Outputs .....	1
Power .....	1
Performance .....	1
<b>Applications</b> .....	<b>1</b>
<b>Change Summary</b> .....	<b>4</b>
<b>1.0 Package Description</b> .....	<b>5</b>
<b>2.0 Pin Description</b> .....	<b>6</b>
<b>3.0 Functional Description</b> .....	<b>7</b>
3.1 Clock Inputs .....	7
3.2 Clock Input Selection .....	7
3.2.1 Clock Input Terminations .....	8
3.3 Clock Outputs .....	13
3.4 Device Additive Jitter .....	16
3.5 Power Supply .....	17
3.5.1 Sensitivity to power supply noise .....	17
3.5.2 Power supply filtering .....	17
3.5.3 PCB layout considerations .....	17
<b>4.0 AC and DC Electrical Characteristics</b> .....	<b>18</b>
<b>5.0 Performance Characterization</b> .....	<b>21</b>
<b>6.0 Typical Behavior</b> .....	<b>22</b>
<b>7.0 Package Characteristics</b> .....	<b>24</b>
<b>8.0 Mechanical Drawing</b> .....	<b>25</b>

## List of Figures

Figure 1 - Functional Block Diagram	1
Figure 2 - Pin Connections	5
Figure 3 - Simplified Diagram of Input Stage	7
Figure 4 - Output During Clock Switch - Both Clocks Running	8
Figure 5 - Clock Input - LVPECL - DC Coupled	8
Figure 6 - Clock Input - LVPECL - AC Coupled	9
Figure 7 - Clock Input - LVDS - DC Coupled	9
Figure 8 - Clock Input - LVDS - AC Coupled	10
Figure 9 - Clock Input - CML- AC Coupled	10
Figure 10 - Clock Input - HCSL- AC Coupled	11
Figure 11 - Clock Input - AC-coupled Single-Ended	11
Figure 12 - Clock Input - DC-coupled 3.3V CMOS	12
Figure 13 - Simplified Output Driver	13
Figure 14 - LVPECL Basic Output Termination	13
Figure 15 - LVPECL Parallel Output Termination	14
Figure 16 - LVPECL Parallel Thevenin-Equivalent Output Termination	14
Figure 17 - LVPECL AC Output Termination	15
Figure 18 - LVPECL AC Output Termination for CML Inputs	15
Figure 19 - Additive Jitter	16
Figure 20 - Decoupling Connections for Power Pins	17
Figure 21 - Differential Voltage Parameter	19
Figure 22 - Input To Output Timing	20

## Change Summary

Below are the changes from the February 2013 issue to the April 2014 issue:

Page	Item	Change
1	Applications	Added PCI Express clock distribution.
6	Pin Description	Added exposed pad to Pin Description.
8, 9	Figure 5 and Figure 6	Removed 22 Ohm series resistors from Figure 5 and 6. These resistors are not required; however, there is no impact to performance if the resistors are included.
19	Figure 21	Clarification of $V_{ID}$ and $V_{OD}$ .

Below are the changes from the November 2012 issue to the February 2013 issue:

Page	Item	Change
8	Figure 5	Changed text to indicate the circuit is not recommended for $VDD\_driver=2.5V$ .

### 1.0 Package Description

The device is packaged in a 32 pin QFN

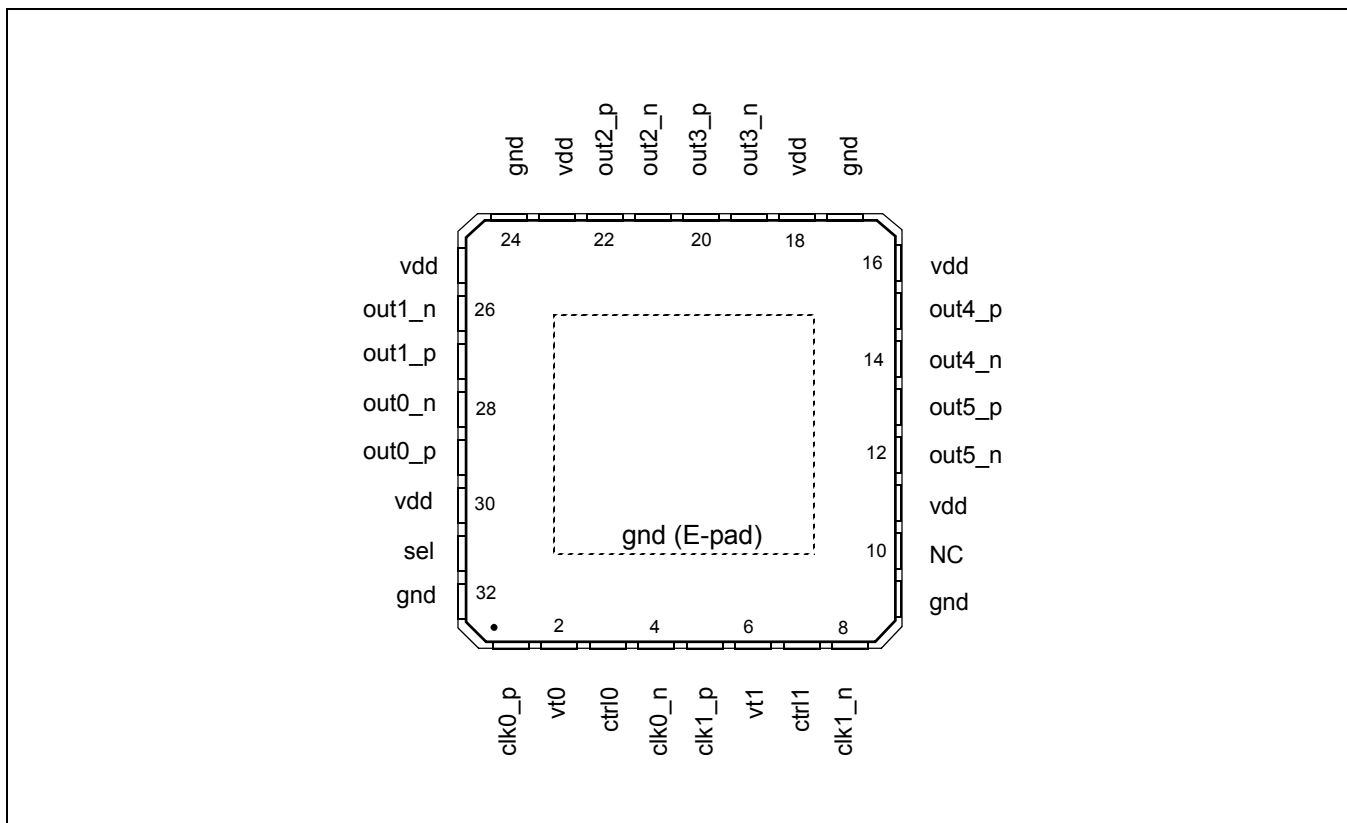


Figure 2 - Pin Connections

## 2.0 Pin Description

Pin #	Name	Description
1, 4, 5, 8	clk0_p, clk0_n, clk1_p, clk1_n	<b>Differential Input (Analog Input).</b> Differential (or singled ended) input signals. For all input signal configuration see Section 3.1, "Clock Inputs".
2, 6	vt0, vt1	<b>On-Chip Input Termination Node (Analog).</b> Center tap between internal 50 Ohm termination resistors. For a DC coupled LVPECL input connect this pin through a resistor to ground; 50 Ohms for 3.3V LVPECL or 20 Ohms for 2.5V LVPECL. For a DC coupled LVDS input or for an AC coupled differential input, leave this pin unconnected.
3, 7	ctrl0, ctrl1	<b>Digital Control for On-Chip Input Termination (Input).</b> Selects differential input mode; 0: DC coupled LVPECL or LVDS modes 1: AC coupled differential modes These pins are internally pulled down to GND.
29, 28, 27, 26, 22, 21, 20, 19, 15, 14, 13, 12	out0_p, out0_n out1_p, out1_n out2_p, out2_n out3_p, out3_n out4_p, out4_n out5_p, out5_n	<b>Differential Output (Analog Output).</b> Differential outputs.
11, 16, 18, 23, 25, 30	vdd	<b>Positive Supply Voltage.</b> 2.5V <sub>DC</sub> or 3.3 V <sub>DC</sub> nominal.
9, 17, 24, 32	gnd	<b>Ground.</b> 0 V.
31	sel	<b>Input Select (Input).</b> Selects the reference input that is buffered; 0: clk0 1: clk1 This pin is internally pulled down to GND.
10	NC	<b>No Connection.</b> Leave unconnected.
	Exposed Pad	<b>Device GND.</b>

### 3.0 Functional Description

The ZL40209 is an LVPECL clock fan out buffer with two input and six output clock drivers capable of operating at frequencies up to 750MHz.

The ZL40209 provides an internal input termination network for DC and AC coupled inputs; optional input biasing for AC coupled inputs is also provided. The ZL40209 can accept DC or AC coupled LVPECL and LVDS input signals, AC coupled CML or HCSL input signals, and single ended signals. A pin compatible device with external termination is also available.

The ZL40209 is designed to fan out low-jitter reference clocks for wired or optical communications applications while adding minimal jitter to the clock signal. An internal linear power supply regulator and bulk capacitors minimize additive jitter due to power supply noise. The device operates from 2.5V $\pm$ 5% or 3.3V $\pm$ 5% supply. Its operation is guaranteed over the industrial temperature range -40°C to +85°C.

The device block diagram is shown in Figure 1; its operation is described in the following sections.

#### 3.1 Clock Inputs

The device has a differential input equipped with two on-chip 50 Ohm termination resistors arranged in series with a center tap. The input can accept many differential and single-ended signals with AC or DC coupling as appropriate. A control pin is available to enable internal biasing for AC coupled inputs. A block diagram of the input stage is in Figure 3.

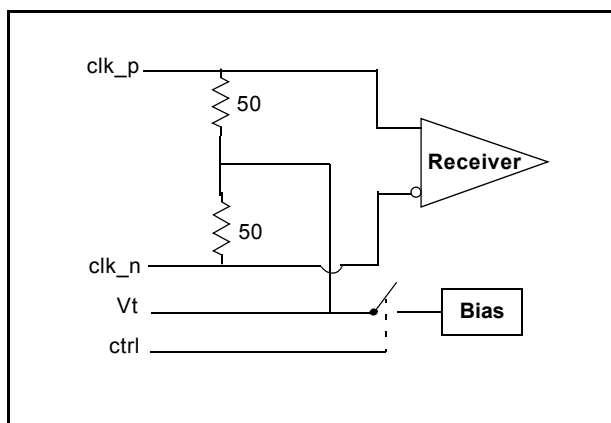


Figure 3 - Simplified Diagram of Input Stage

#### 3.2 Clock Input Selection

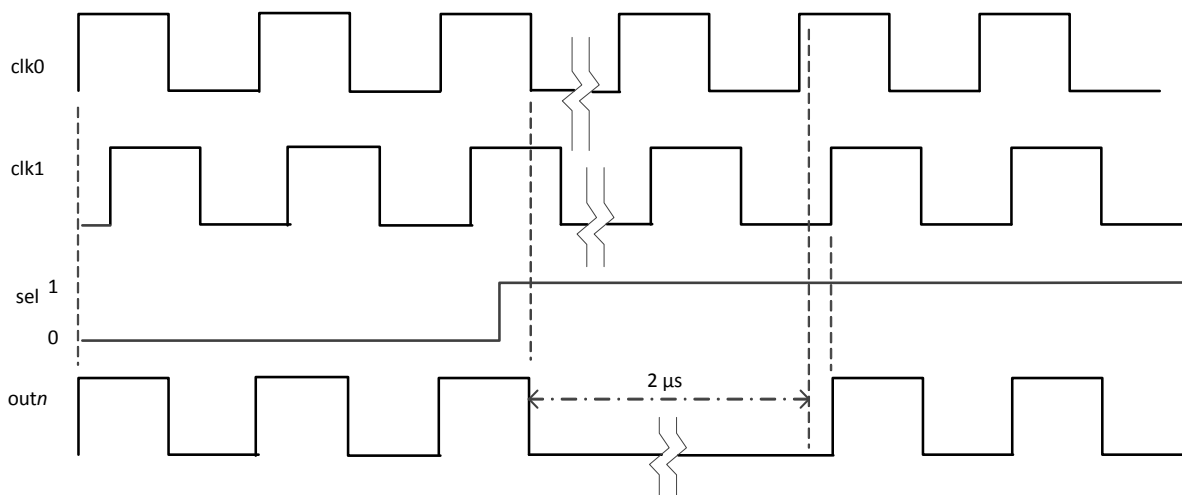
The select line chooses which input clock is routed to the outputs.

Sel	Active Input
0	clk0
1	clk1

Table 1 - Input Selection

The following figure shows the expected clock switching performance. The output stops at the first falling edge of the initial clock after the select pin changes state. During switching there will be a short time when the output clock is not toggling. After this delay, the output will start toggling again with a rising edge of the newly selected clock.

This behavior is independent of the frequencies of the input clocks. For instance, the two clocks could be at different frequencies and the behavior would still be consistent with this figure.



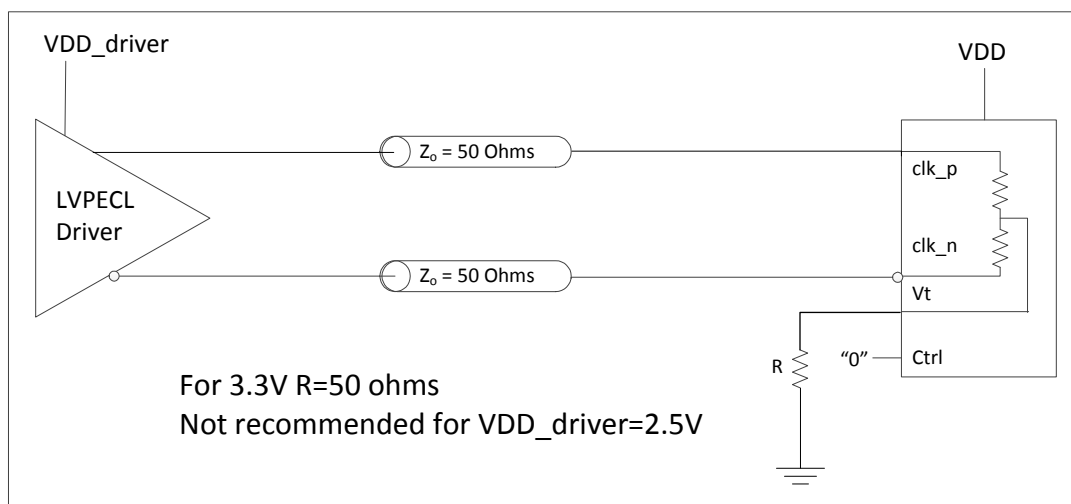
**Figure 4 - Output During Clock Switch - Both Clocks Running**

### 3.2.1 Clock Input Terminations

The following figures show how to connect various input clock types to the fanout buffer. Each diagram shows how to configure the *Vt* and *ctrl* pins along with the other necessary components and their values.

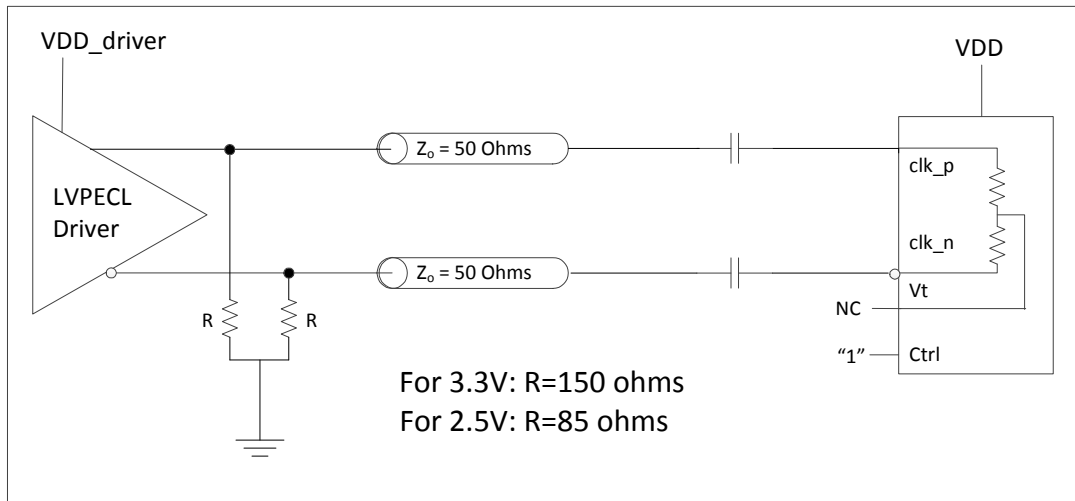
For input clock types where the *ctrl* pin is "1" and the *Vt* pin is not connected, the *Vt* pin can be instead connected to  $V_{DD}$  with a capacitor.

In addition, a capacitor can also help in Figure 5 between *Vt* and  $V_{DD}$ . This capacitor will minimize the noise at the point between the two internal termination resistors and improve the overall performance of the device.

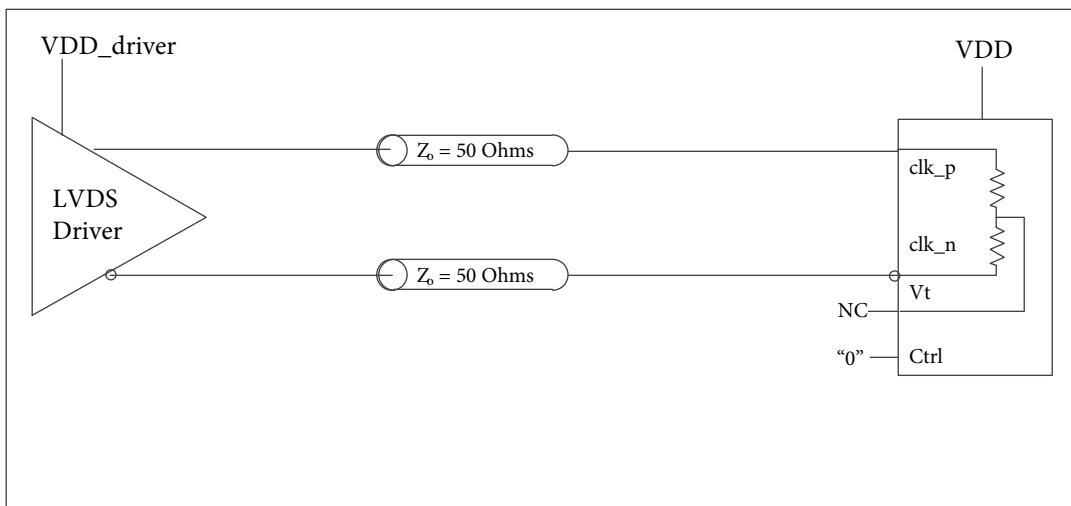


**Figure 5 - Clock Input - LVPECL - DC Coupled**





**Figure 6 - Clock Input - LVPECL - AC Coupled**



**Figure 7 - Clock Input - LVDS - DC Coupled**

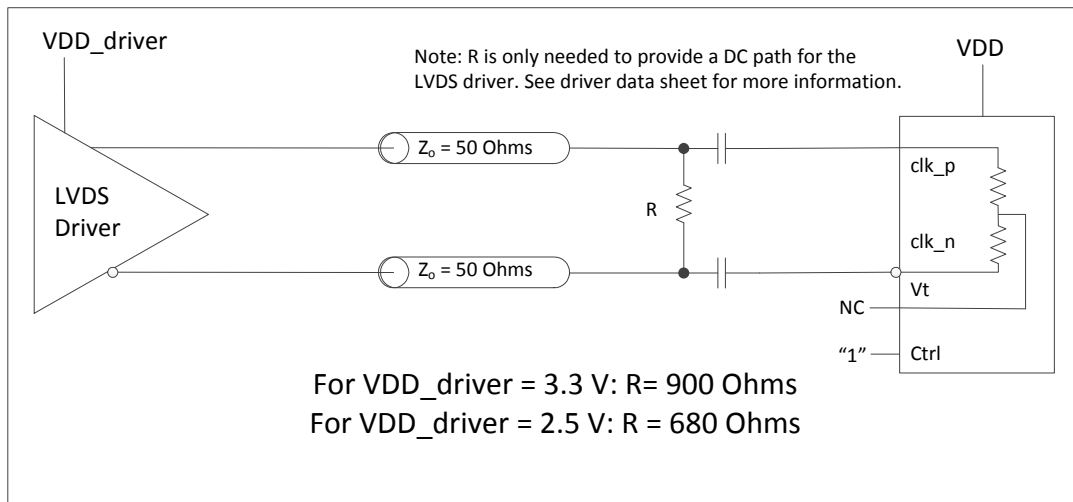


Figure 8 - Clock Input - LVDS - AC Coupled

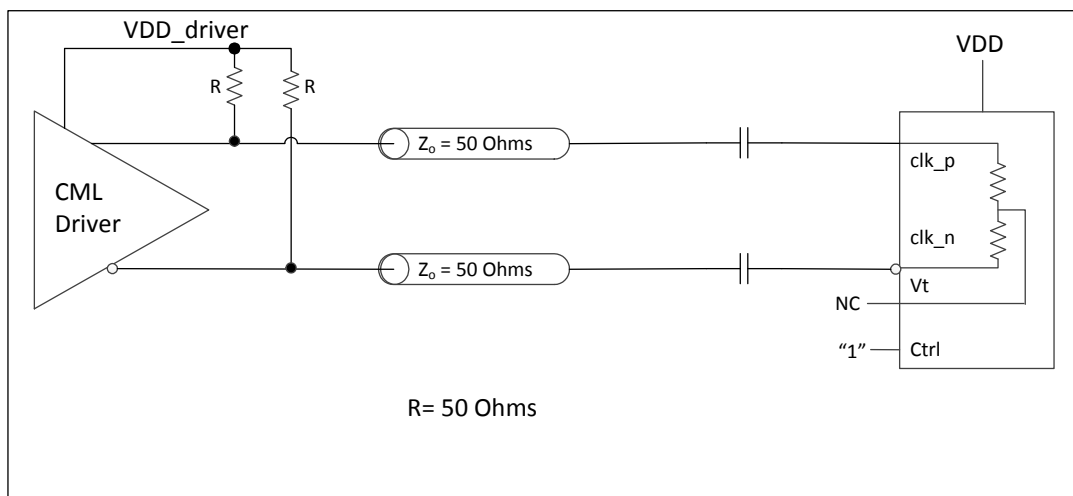


Figure 9 - Clock Input - CML- AC Coupled

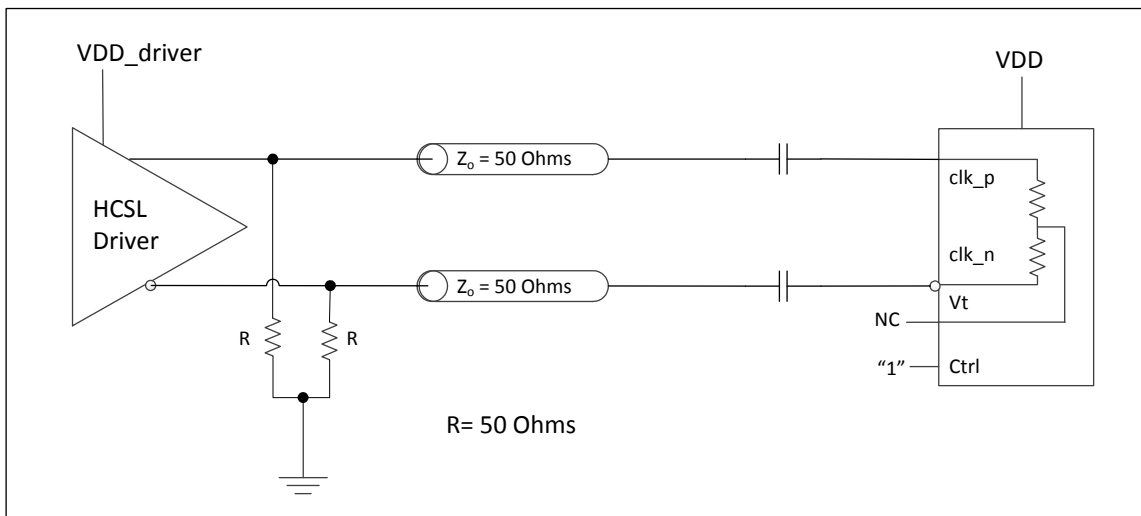


Figure 10 - Clock Input - HCSL- AC Coupled

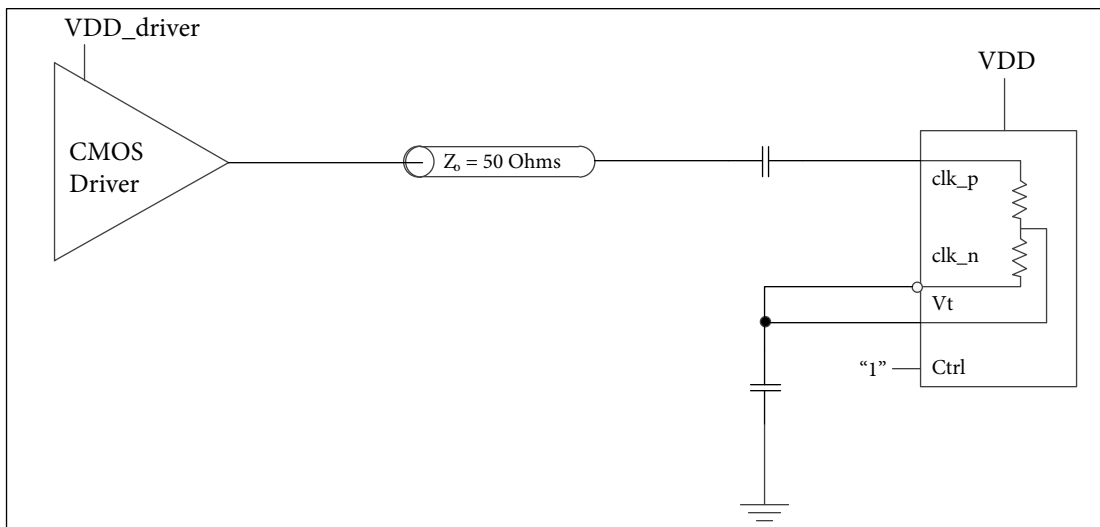
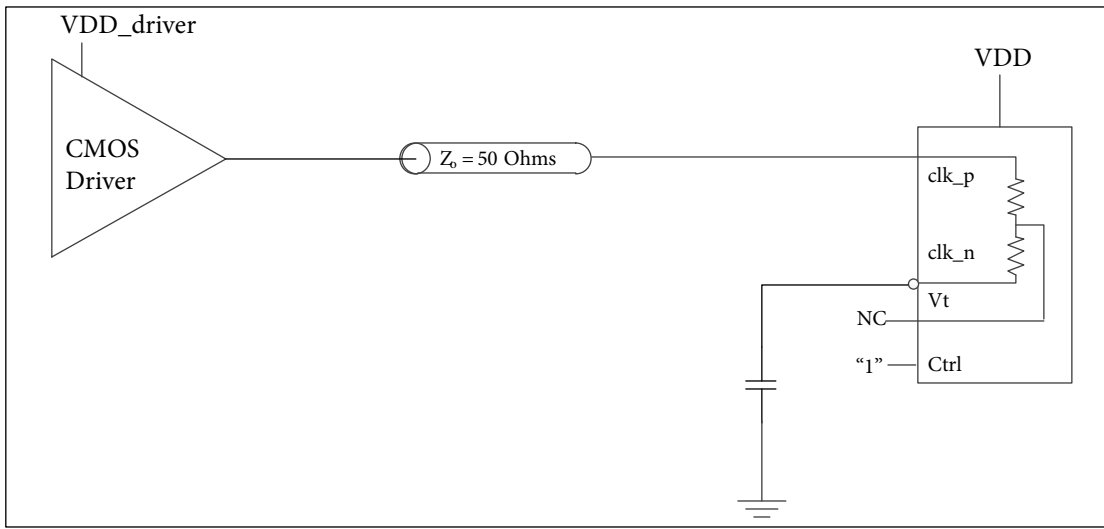


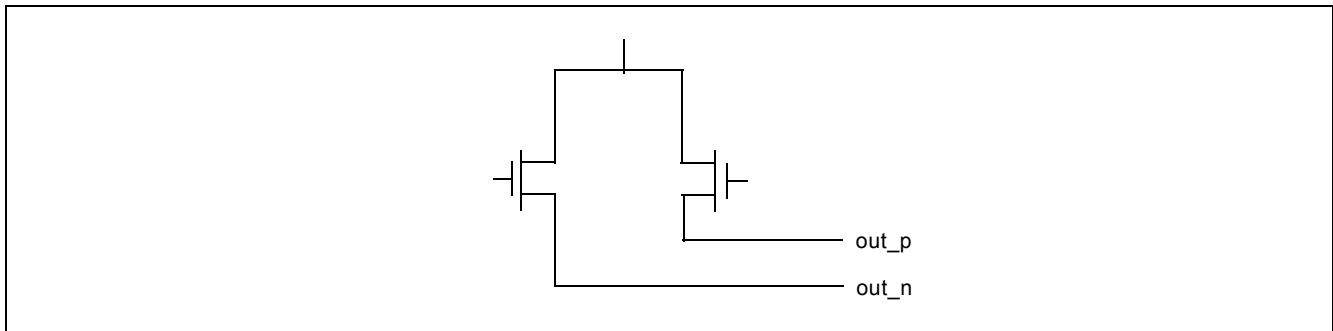
Figure 11 - Clock Input - AC-coupled Single-Ended



**Figure 12 - Clock Input - DC-coupled 3.3V CMOS**

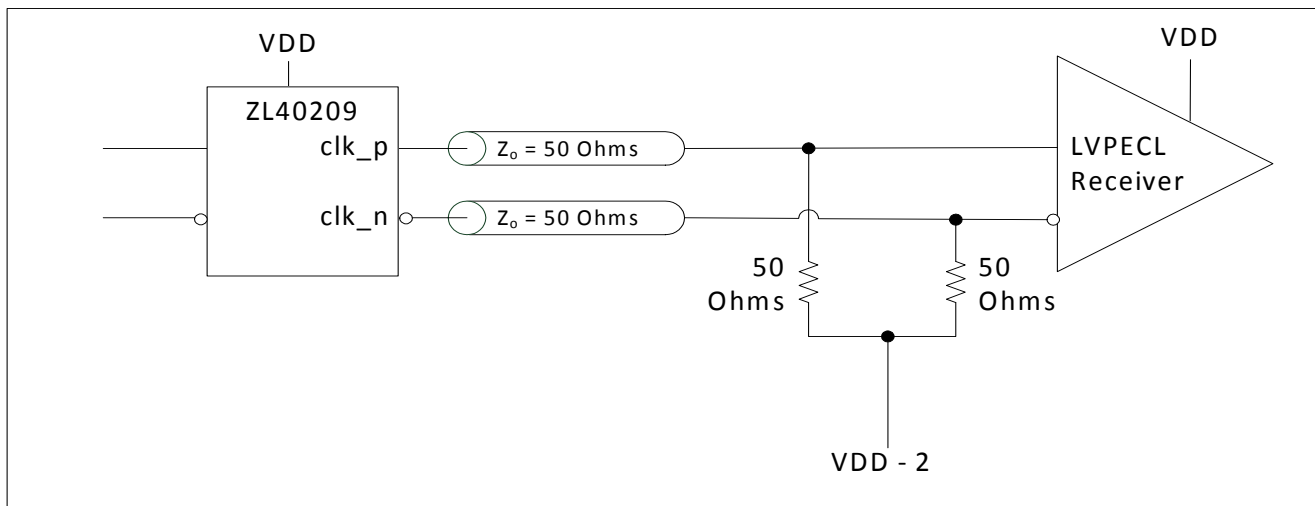
### 3.3 Clock Outputs

LVPECL has a very low output impedance and a differential signal swing between 1V and 1.6 V. A simplified diagram for the output stage is shown in Figure 13. The LVPECL to LVDS output termination is not shown since there is a different device with the same inputs and LVDS outputs.



**Figure 13 - Simplified Output Driver**

The methods to terminate the ZL40209 LVPECL drivers are shown in the following figures.



**Figure 14 - LVPECL Basic Output Termination**

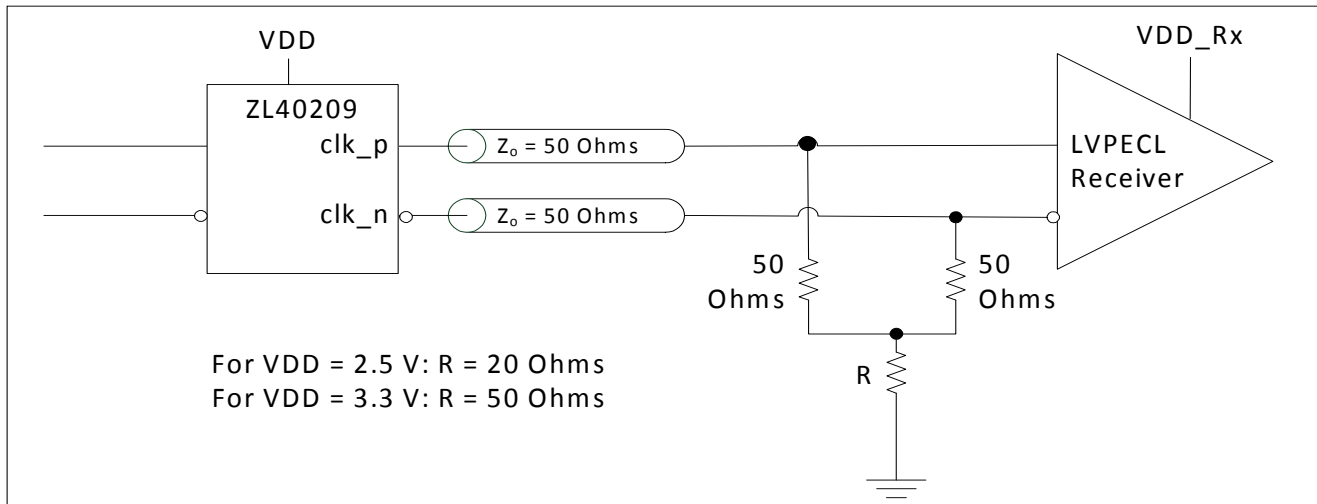


Figure 15 - LVPECL Parallel Output Termination

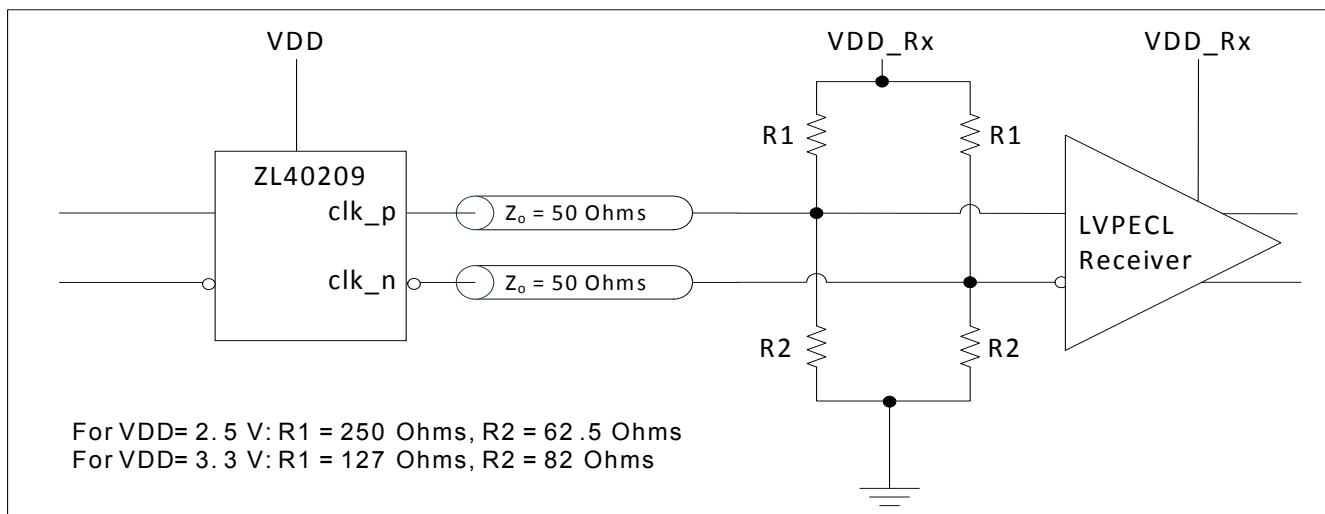
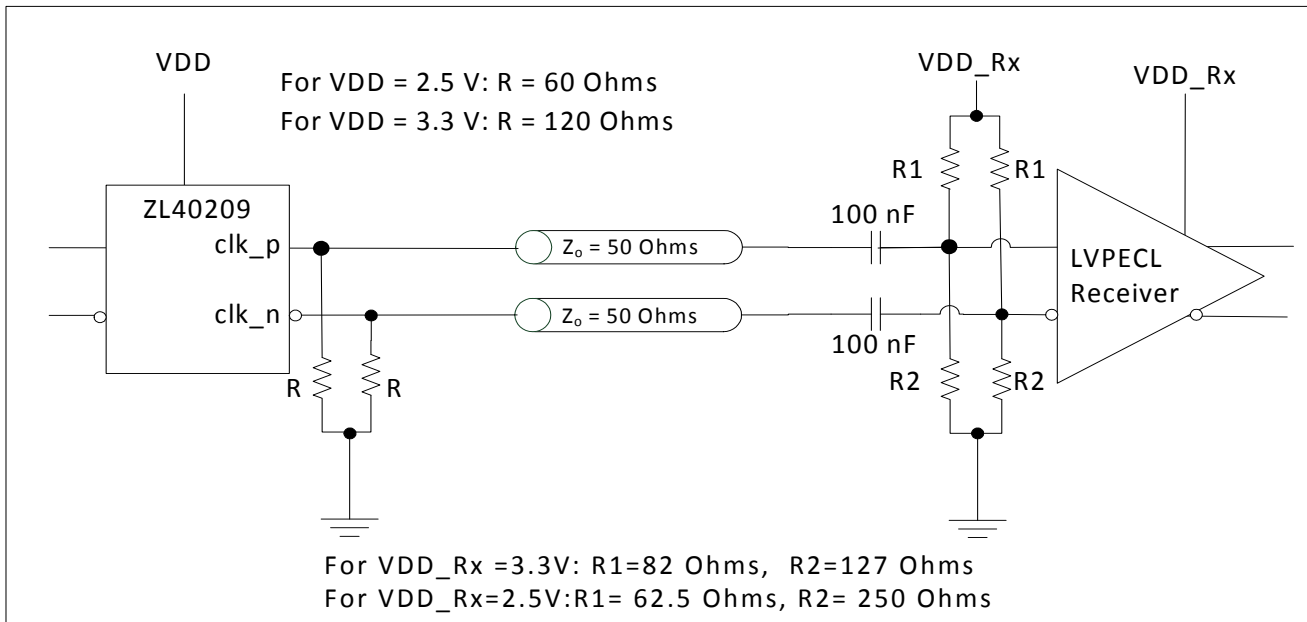
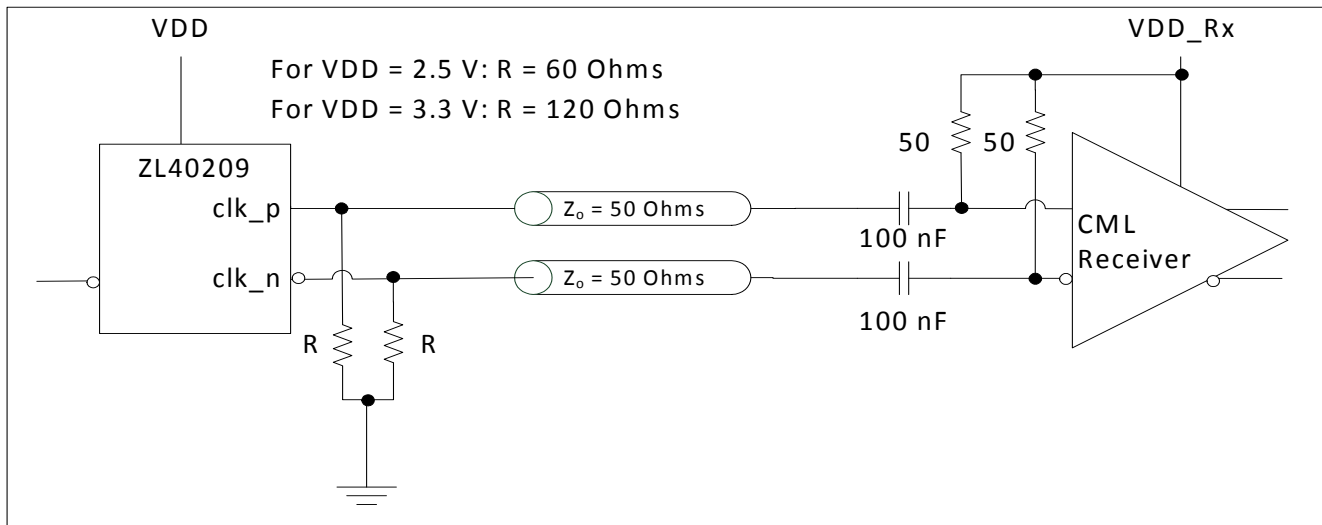


Figure 16 - LVPECL Parallel Thevenin-Equivalent Output Termination



**Figure 17 - LVPECL AC Output Termination**



**Figure 18 - LVPECL AC Output Termination for CML Inputs**

### 3.4 Device Additive Jitter

The ZL40209 clock fanout buffer is not intended to filter clock jitter. The jitter performance of this type of device is characterized by its additive jitter. Additive jitter is the jitter the device would add to a hypothetical jitter-free clock as it passes through the device. The additive jitter of the ZL40209 is random and as such it is not correlated to the jitter of the input clock signal.

The square of the resultant random RMS jitter at the output of the ZL40209 is equal to the sum of the squares of the various random RMS jitter sources including: input clock jitter; additive jitter of the buffer; and additive random jitter due to power supply noise. There may be additional deterministic jitter sources that are not shown in Figure 19.

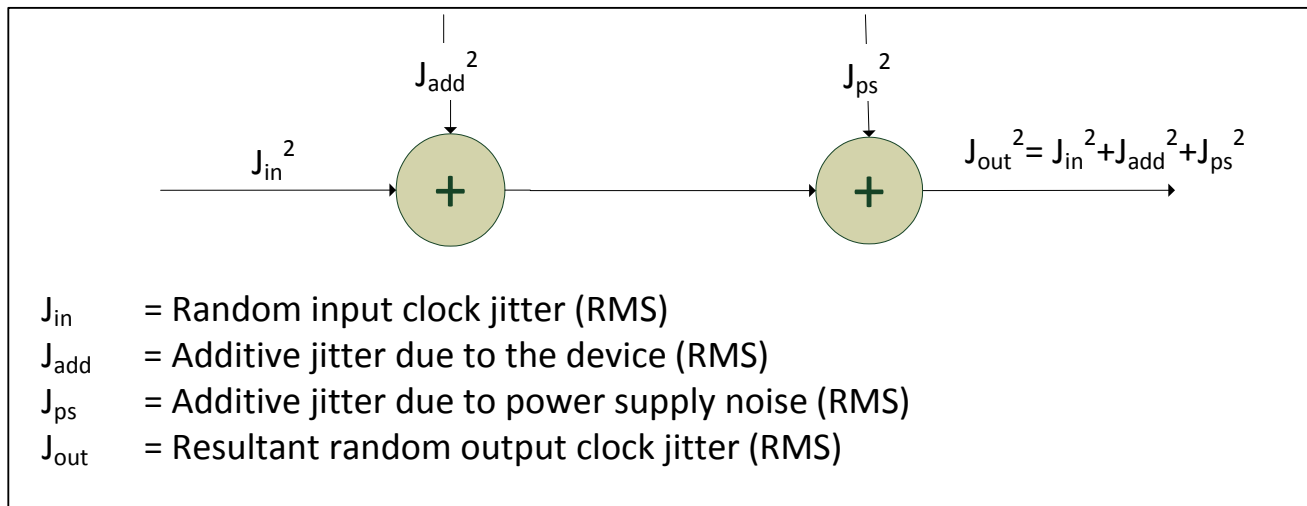


Figure 19 - Additive Jitter



### 3.5 Power Supply

This device operates with either a 2.5V supply or 3.3V supply.

#### 3.5.1 Sensitivity to power supply noise

Power supply noise from sources such as switching power supplies and high-power digital components such as FPGAs can induce additive jitter on clock buffer outputs. The ZL40209 is equipped with an on-chip linear power regulator and on-chip bulk capacitors to minimize additive jitter due to power supply noise. The on-chip regulation, recommended power supply filtering, and good PCB layout all work together to minimize the additive jitter from power supply noise.

#### 3.5.2 Power supply filtering

For optimal jitter performance, the ZL40209 should be isolated from the power planes connected to its power supply pins as shown in Figure 20.

- 10  $\mu\text{F}$  capacitors should be size 0603 or size 0805 X5R or X7R ceramic, 6.3 V minimum rating
- 0.1  $\mu\text{F}$  capacitors should be size 0402 X5R ceramic, 6.3 V minimum rating
- Capacitors should be placed next to the connected device power pins

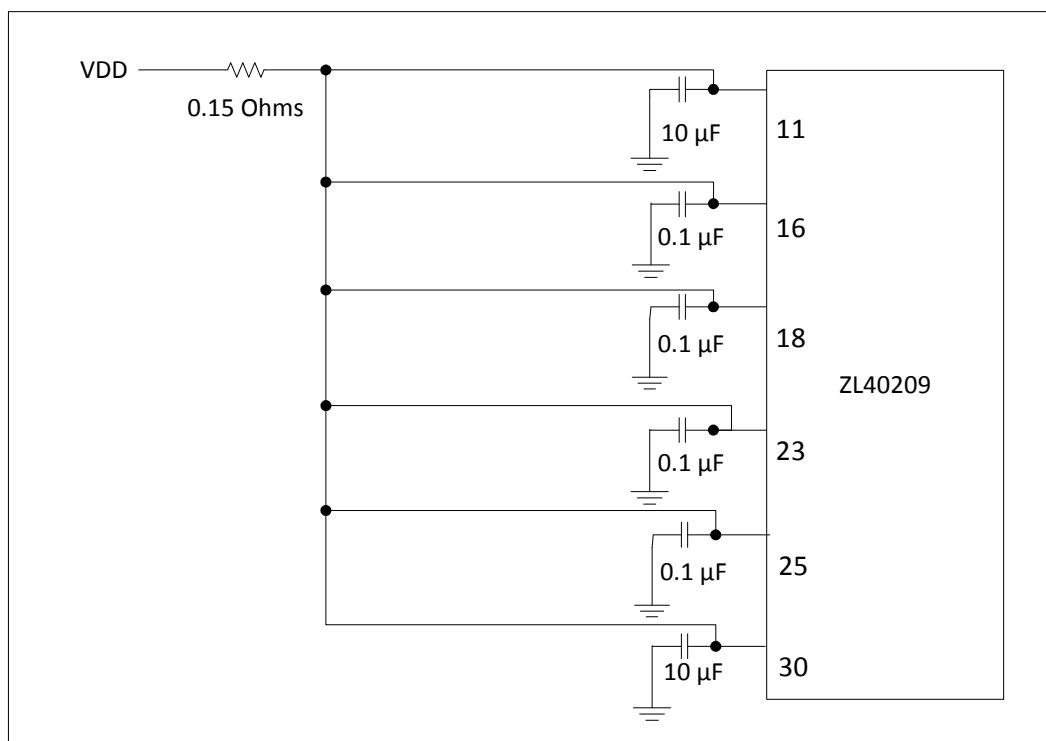


Figure 20 - Decoupling Connections for Power Pins

#### 3.5.3 PCB layout considerations

The power supply filtering shown in Figure 20 can be implemented either as a plane island, or as a routed power topology with equal results.

## 4.0 AC and DC Electrical Characteristics

### Absolute Maximum Ratings\*

	Parameter	Sym.	Min.	Max.	Units
1	Supply voltage	$V_{DD\_R}$	-0.5	4.6	V
2	Voltage on any digital pin	$V_{PIN}$	-0.5	$V_{DD}$	V
3	LVPECL output current	$I_{out}$		30	mA
4	Soldering temperature	T		260	°C
5	Storage temperature	$T_{ST}$	-55	125	°C
6	Junction temperature	$T_j$		125	°C
7	Voltage on input pin	$V_{input}$		$V_{DD}$	V
8	Input capacitance each pin	$C_p$		500	fF

\* Exceeding these values may cause permanent damage. Functional operation under these conditions is not implied.

\* Voltages are with respect to ground (GND) unless otherwise stated

### Recommended Operating Conditions\*

	Characteristics	Sym.	Min.	Typ.	Max.	Units
1	Supply voltage 2.5 V mode	$V_{DD25}$	2.375	2.5	2.625	V
2	Supply voltage 3.3 V mode	$V_{DD33}$	3.135	3.3	3.465	V
3	Operating temperature	$T_A$	-40	25	85	°C

\* Voltages are with respect to ground (GND) unless otherwise stated

### DC Electrical Characteristics - Current Consumption

	Characteristics	Sym.	Min.	Typ.	Max.	Units	Notes
1	Supply current LVPECL drivers - unloaded	$I_{dd\_unload}$		110		mA	
2	Supply current LVPECL drivers - loaded (all outputs are active)	$I_{dd\_load}$		214		mA	Including power to $R_L = 50\Omega$

### DC Electrical Characteristics - Inputs and Outputs - for 3.3 V Supply

	Characteristics	Sym.	Min.	Typ.	Max.	Units	Notes
1	CMOS control logic high-level input voltage	$V_{CIH}$	$0.7 \cdot V_{DD}$			V	
2	CMOS control logic low-level input voltage	$V_{CIL}$			$0.3 \cdot V_{DD}$	V	
3	CMOS control logic Input leakage current	$I_{IL}$		1		$\mu A$	$V_I = V_{DD}$ or 0 V
4	Differential input common mode voltage	$V_{CM}$	1.1		2.0	V	
5	Differential input voltage difference	$V_{ID}$	0.25		1	V	

**DC Electrical Characteristics - Inputs and Outputs - for 3.3 V Supply**

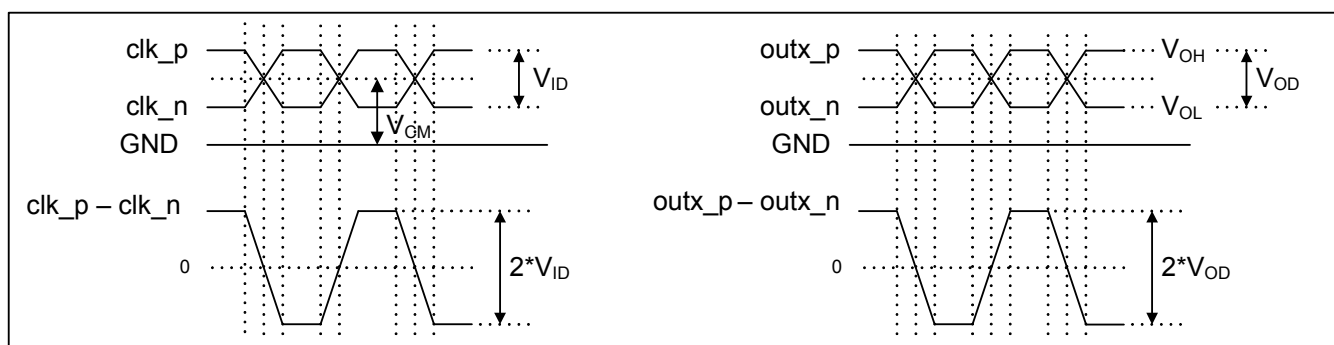
	Characteristics	Sym.	Min.	Typ.	Max.	Units	Notes
6	Differential input resistance	$V_{IR}$	80	100	120	ohm	
7	LVPECL output high voltage	$V_{OH}$	$V_{DD} - 1.40$				
8	LVPECL output low voltage	$V_{OL}$			$V_{DD} - 1.62$		
9	LVPECL output differential voltage*	$V_{OD}$	0.5		0.9	V	

\* This parameter was measured from 125 MHz to 750 MHz.

**DC Electrical Characteristics - Inputs and Outputs - for 2.5 V Supply**

	Characteristics	Sym.	Min.	Typ.	Max.	Units	Notes
1	CMOS control logic high-level input voltage	$V_{CIH}$	$0.7 \cdot V_{DD}$			V	
2	CMOS control logic low-level input voltage	$V_{CIL}$			$0.3 \cdot V_{DD}$	V	
3	CMOS control logic Input leakage current	$I_{IL}$		1		$\mu A$	$V_I = V_{DD}$ or 0 V
4	Differential input common mode voltage	$V_{CM}$	1.1		1.6	V	
5	Differential input voltage difference	$V_{ID}$	0.25		1	V	
6	Differential input resistance	$V_{IR}$	80	100	120	ohm	
7	LVPECL output high voltage	$V_{OH}$	$V_{DD} - 1.40$			V	
8	LVPECL output low voltage	$V_{OL}$			$V_{DD} - 1.62$	V	
9	LVPECL output differential voltage*	$V_{OD}$	0.4		0.9	V	

\* This parameter was measured from 125 MHz to 750 MHz.

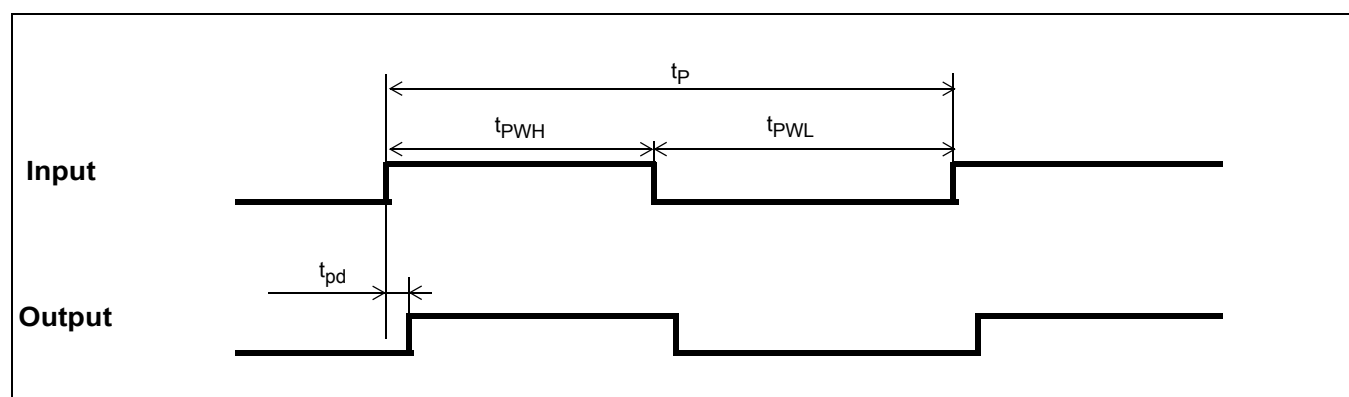


**Figure 21 - Differential Voltage Parameter**

**AC Electrical Characteristics\* - Inputs and Outputs (see Figure 22) - for 2.5/3.3 V supply.**

	Characteristics	Sym.	Min.	Typ.	Max.	Units	Notes
1	Maximum Operating Frequency	$1/t_p$			750	MHz	
2	Input to output clock propagation delay	$t_{pd}$	0	1	2	ns	
3	Output to output skew	$t_{out2out}$		50	100	ps	
4	Part to part output skew	$t_{part2part}$		80	300	ps	
5	Output clock Duty Cycle degradation	$t_{PWH}/t_{PWL}$	-2	0	2	Duty Cycle	
6	LVPECL Output clock slew rate	$r_{SL}$	0.75	1.2		V/ns	
7	Reference transition time	$t_{switch}$		2	3	us	

\* Supply voltage and operating temperature are as per Recommended Operating Conditions



**Figure 22 - Input To Output Timing**

## 5.0 Performance Characterization

85

### Additive Jitter at 2.5 V\*

	Output Frequency (MHz)	Jitter Measurement Filter	Typical RMS (fs)	Notes
1	125	12 kHz - 20 MHz	190	
2	212.5	12 kHz - 20 MHz	159	
3	311.04	12 kHz - 20 MHz	147	
4	425	12 kHz - 20 MHz	132	
5	500	12 kHz - 20 MHz	126	
6	622.08	12 kHz - 20 MHz	118	
7	750	12 kHz - 20 MHz	106	

\*The values in this table were taken with an approximate slew rate of 0.8 V/ns.

### Additive Jitter at 3.3 V\*

	Output Frequency (MHz)	Jitter Measurement Filter	Typical RMS (fs)	Notes
1	125	12 kHz - 20 MHz	193	
2	212.5	12 kHz - 20 MHz	167	
3	311.04	12 kHz - 20 MHz	157	
4	425	12 kHz - 20 MHz	144	
5	500	12 kHz - 20 MHz	137	
6	622.08	12 kHz - 20 MHz	127	
7	750	12 kHz - 20 MHz	116	

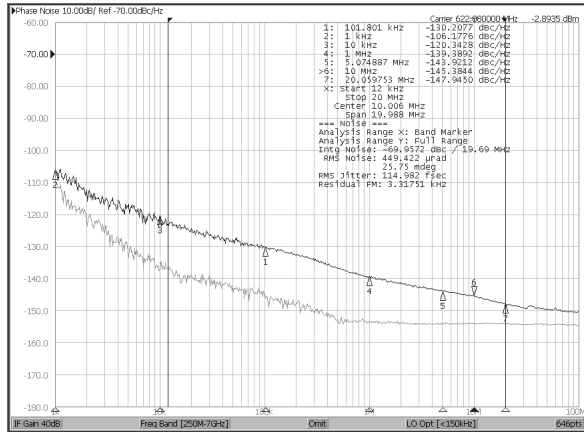
\*The values in this table were taken with an approximate slew rate of 0.8 V/ns.

### Additive Jitter from a Power Supply Tone\*

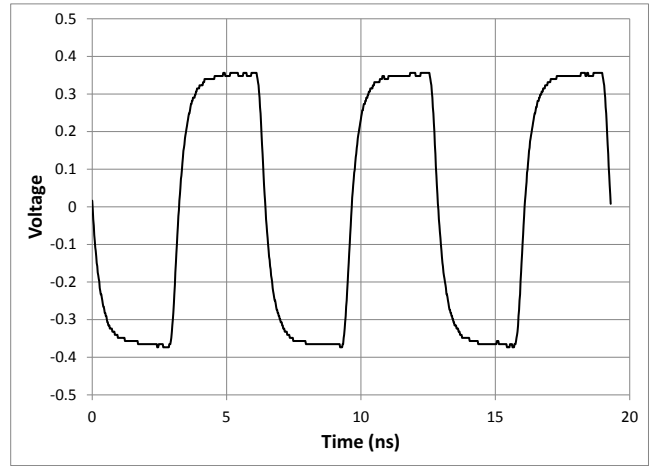
Carrier frequency	Parameter	Typical	Units	Notes
125MHz	25 mV at 100 kHz	62	fs RMS	
750MHz	25 mV at 100 kHz	54	fs RMS	

\* The values in this table are the additive periodic jitter caused by an interfering tone typically caused by a switching power supply. For this test, measurements were taken over the full temperature and voltage range for  $V_{DD} = 2.5$  V. The magnitude of the interfering tone is measured at the DUT.

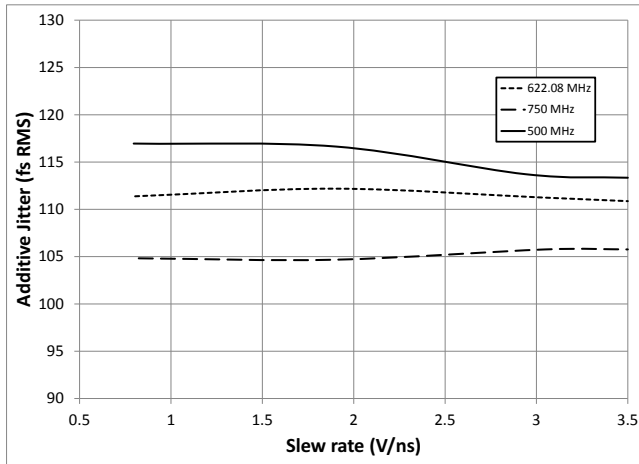
## 6.0 Typical Behavior



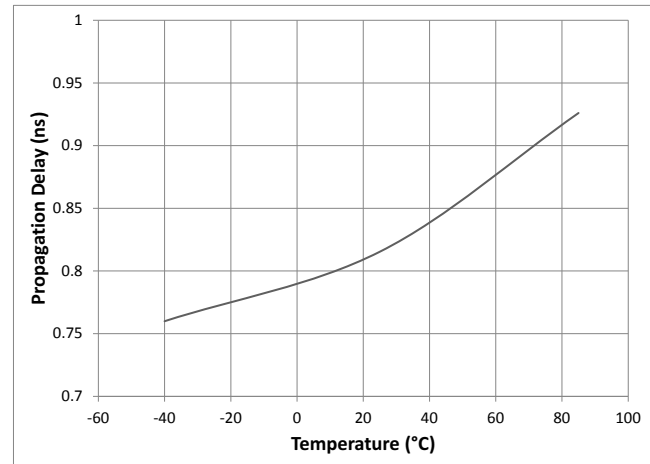
Typical Phase Noise at 622.08 MHz



Typical Waveform at 155.52 MHz

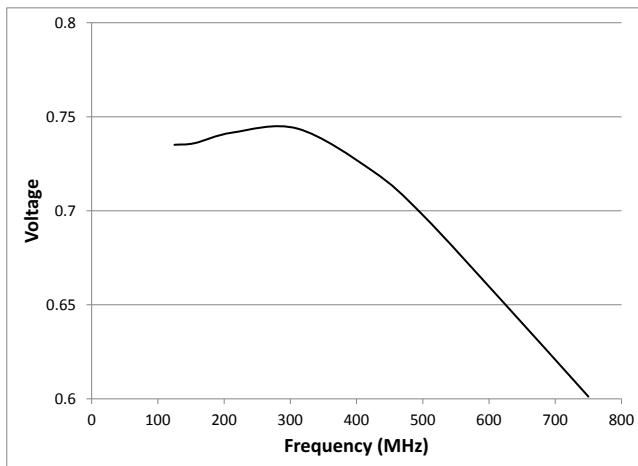


Input Slew Rate versus Additive Jitter

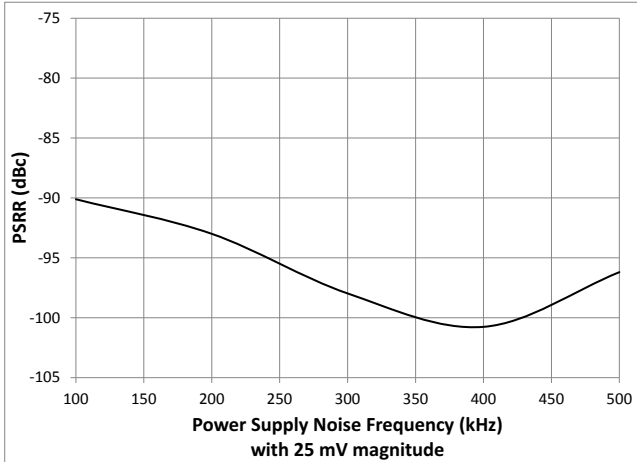


Propagation Delay versus Temperature

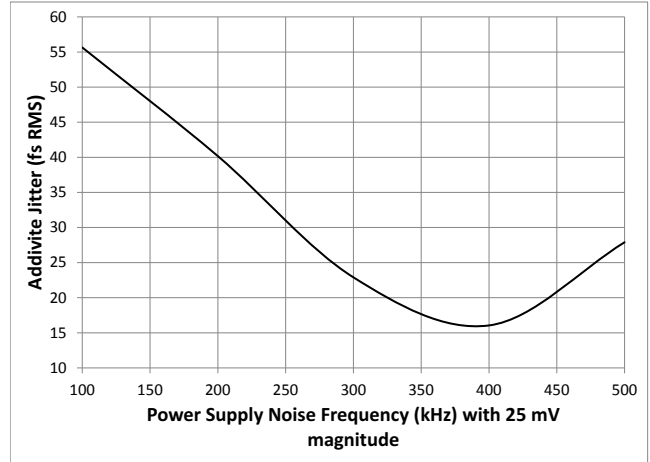
Note: This is for a single device. For more details see the



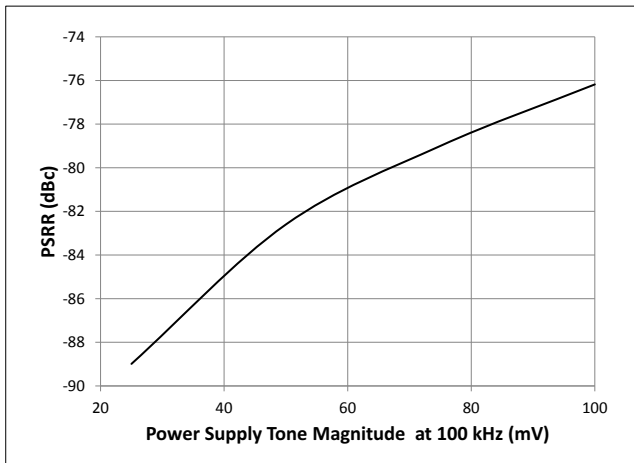
$V_{OD}$  versus Frequency



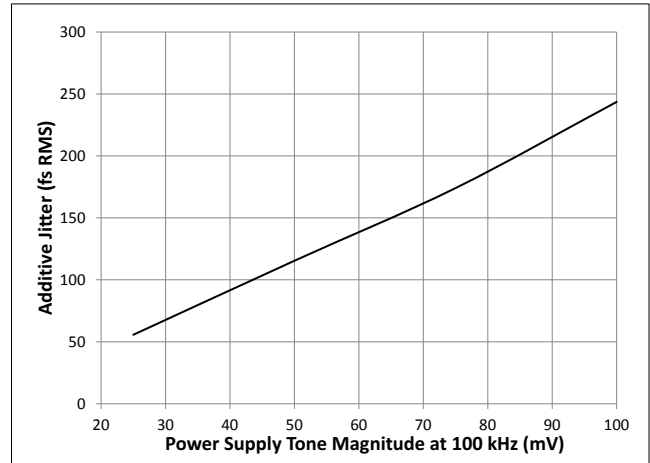
Power Supply Tone Frequency (at 25 mV) versus PSRR at 125 MHz



Power Supply Tone Frequency (at 25 mV) versus Additive Jitter at 125 MHz



Power Supply Tone Magnitude (at 100 kHz) versus PSRR at 125 MHz



Power Supply Tone Magnitude (at 100 kHz) versus Additive Jitter at 125 MHz

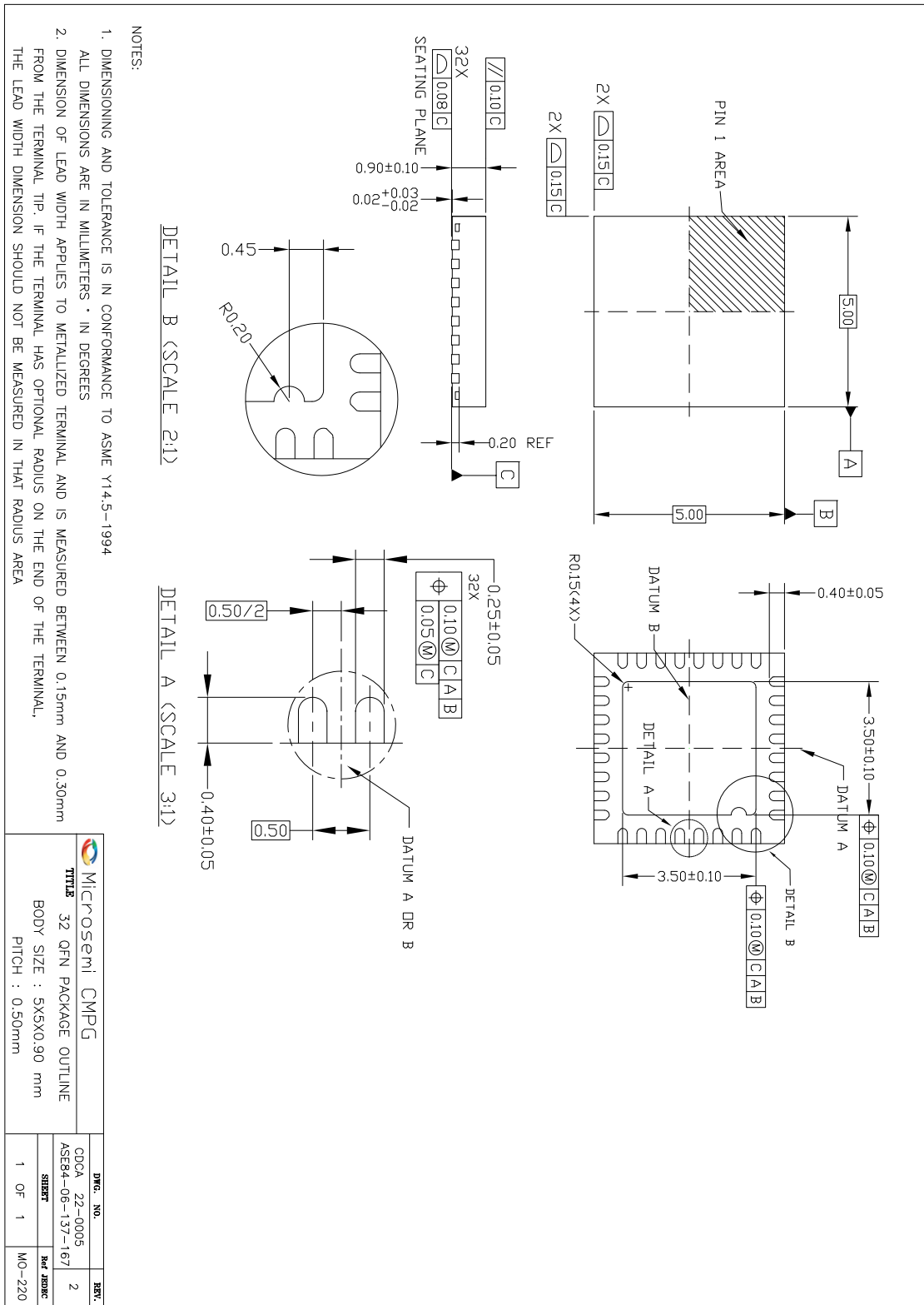
## 7.0 Package Characteristics

### Thermal Data

Parameter	Symbol	Test Condition	Value	Unit
Junction to Ambient Thermal Resistance	$\Theta_{JA}$	Still Air	37.4	$^{\circ}\text{C}/\text{W}$
		1 m/s	33.1	
		2 m/s	31.5	
Junction to Case Thermal Resistance	$\Theta_{JC}$		24.4	$^{\circ}\text{C}/\text{W}$
Junction to Board Thermal Resistance	$\Theta_{JB}$		19.5	$^{\circ}\text{C}/\text{W}$
Maximum Junction Temperature*	$T_{jmax}$		125	$^{\circ}\text{C}$
Maximum Ambient Temperature	$T_A$		85	$^{\circ}\text{C}$



### 8.0 Mechanical Drawing



Information relating to products and services furnished herein by Microsemi Corporation or its subsidiaries (collectively "Microsemi") is believed to be reliable. However, Microsemi assumes no liability for errors that may appear in this publication, or for liability otherwise arising from the application or use of any such information, product or service or for any infringement of patents or other intellectual property rights owned by third parties which may result from such application or use. Neither the supply of such information or purchase of product or service conveys any license, either express or implied, under patents or other intellectual property rights owned by Microsemi or licensed from third parties by Microsemi, whatsoever. Purchasers of products are also hereby notified that the use of product in certain ways or in combination with Microsemi, or non-Microsemi furnished goods or services may infringe patents or other intellectual property rights owned by Microsemi.

This publication is issued to provide information only and (unless agreed by Microsemi in writing) may not be used, applied or reproduced for any purpose nor form part of any order or contract nor to be regarded as a representation relating to the products or services concerned. The products, their specifications, services and other information appearing in this publication are subject to change by Microsemi without notice. No warranty or guarantee express or implied is made regarding the capability, performance or suitability of any product or service. Information concerning possible methods of use is provided as a guide only and does not constitute any guarantee that such methods of use will be satisfactory in a specific piece of equipment. It is the user's responsibility to fully determine the performance and suitability of any equipment using such information and to ensure that any publication or data used is up to date and has not been superseded. Manufacturing does not necessarily include testing of all functions or parameters. These products are not suitable for use in any medical and other products whose failure to perform may result in significant injury or death to the user. All products and materials are sold and services provided subject to Microsemi's conditions of sale which are available on request.

For more information about all Microsemi products  
visit our website at  
[www.microsemi.com](http://www.microsemi.com)

TECHNICAL DOCUMENTATION – NOT FOR RESALE



Microsemi Corporate Headquarters One  
One Enterprise, Aliso Viejo CA 92656 USA  
Within the USA: +1 (800) 713-4113  
Outside the USA: +1 (949) 380-6100  
Sales: +1 (949) 380-6136  
Fax: +1 (949) 215-4996  
E-mail: [sales.support@microsemi.com](mailto:sales.support@microsemi.com)

Microsemi Corporation (NASDAQ: MSCC) offers a comprehensive portfolio of semiconductor and system solutions for communications, defense and security, aerospace and industrial markets. Products include high-performance and radiation-hardened analog mixed-signal integrated circuits, FPGAs, SoCs and ASICs; power management products; timing and synchronization devices and precise time solutions, setting the world's standard for time; voice processing devices; RF solutions; discrete components; security technologies and scalable anti-tamper products; Power-over-Ethernet ICs and midspans; as well as custom design capabilities and services. Microsemi is headquartered in Aliso Viejo, Calif. and has approximately 3,400 employees globally. Learn more at [www.microsemi.com](http://www.microsemi.com).

© 2014 Microsemi Corporation. All rights reserved. Microsemi and the Microsemi logo are trademarks of Microsemi Corporation. All other trademarks and service marks are the property of their respective owners.