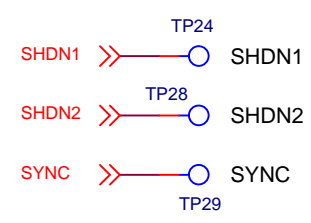
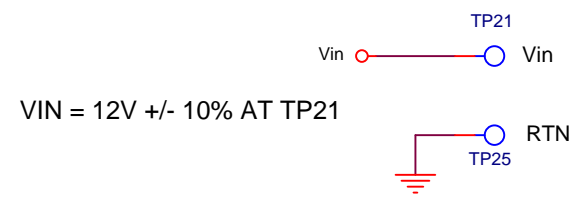
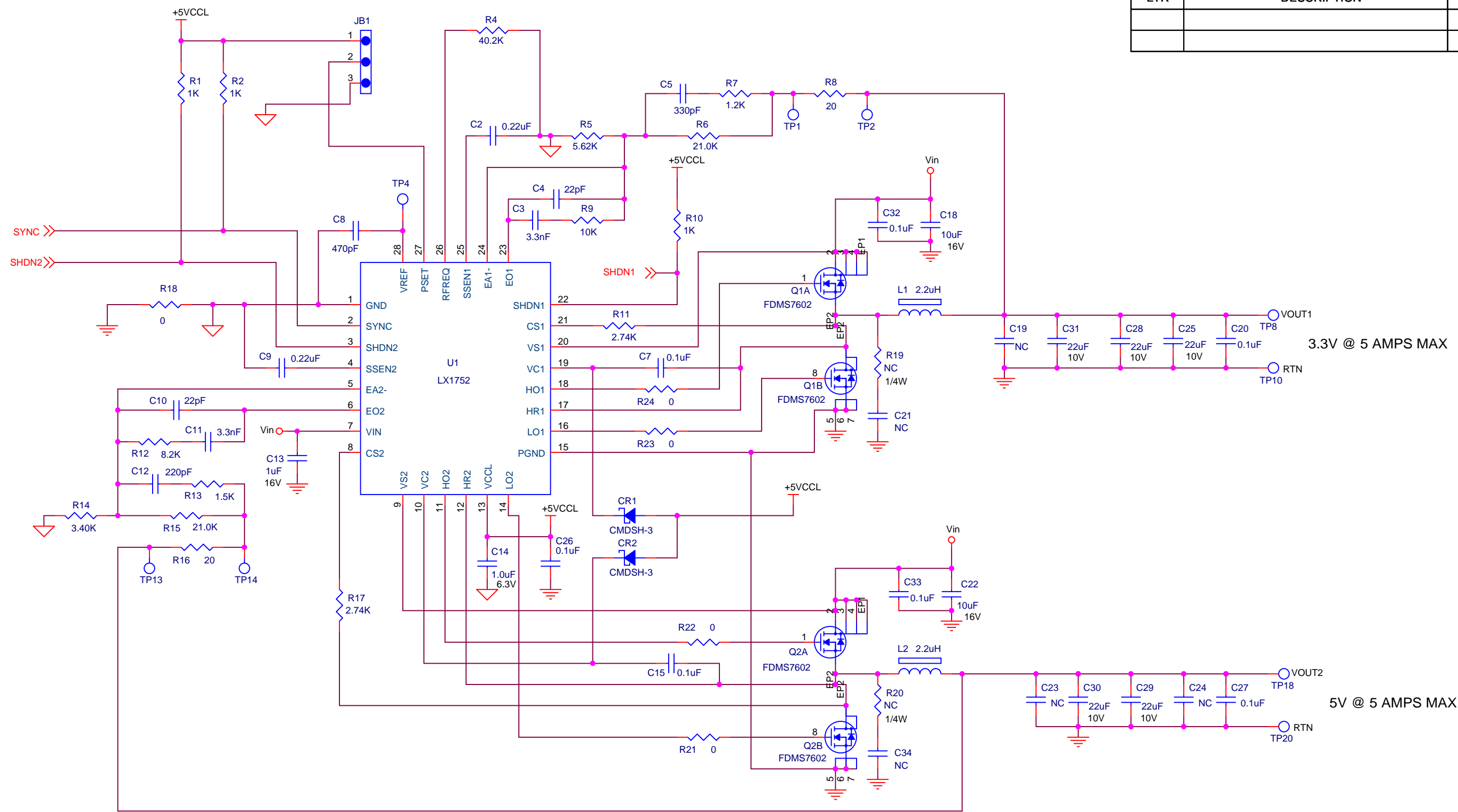


REVISIONS			
LTR	DESCRIPTION	DATE	APPR



PCB SGE3270 X1

Drawn By	MICROSEMI INTEGRATED PRODUCTS		
Checked By	Title SCHEMATIC, LX1752 DEMO BOARD		
Approved By	Size Custom	Model No.: LX1752EVB-101	Drawing No: 24720
Approved By	Date: Tuesday, December 04, 2012	Sheet 1	of 1
			Rev X1