

ZL70571/72/73/74/88 Medical Surge Protection Device (Data Sheet)

Features

- Extremely Fast Turn-On
- Very Small Size and Very Low Leakage
- 5, 6 and 7 Terminals Available
- Standard Delivery Form: Solder Bumped Die
- Variant for Wire Bonding: ZL70588
- Facilitates Compliance with EN-45502 and EN-50061
- Superior Quality
 - QA Procedures Based on MIL-PRF-38535
 - Traceability for Every Chip to Lot and Wafer Number
 - 100% Burn-In Capability
 - Lot Acceptance Testing (LAT) Included

Applications

- Pacemakers and Neurostimulators
- Medical Devices with Electronics Requiring Protection against a High Voltage Surge

Ordering Information

ZL70571UDJ	Bumped Die, Waffle Tray
ZL70572UDJ	Bumped Die, Waffle Tray
ZL70573UDJ	Bumped Die, Waffle Tray
ZL70574UDJ	Bumped Die, Waffle Tray
ZL70588UBJ	Wirebondable Die, Waffle Tray

0°C to +55°C.

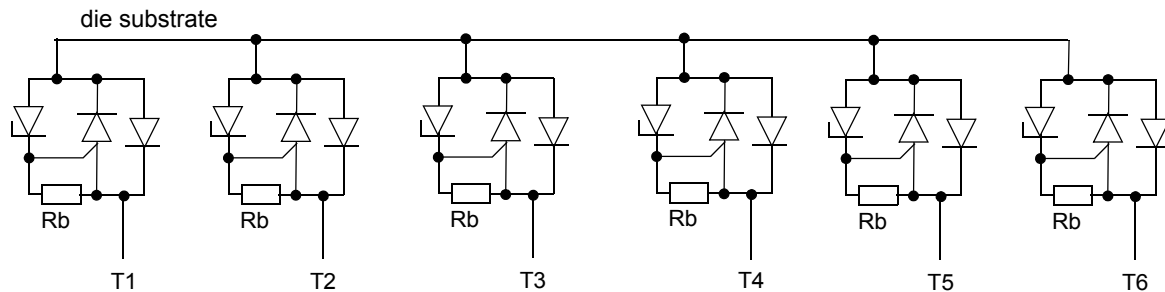


Figure 1 • ZL70573 Block Diagram

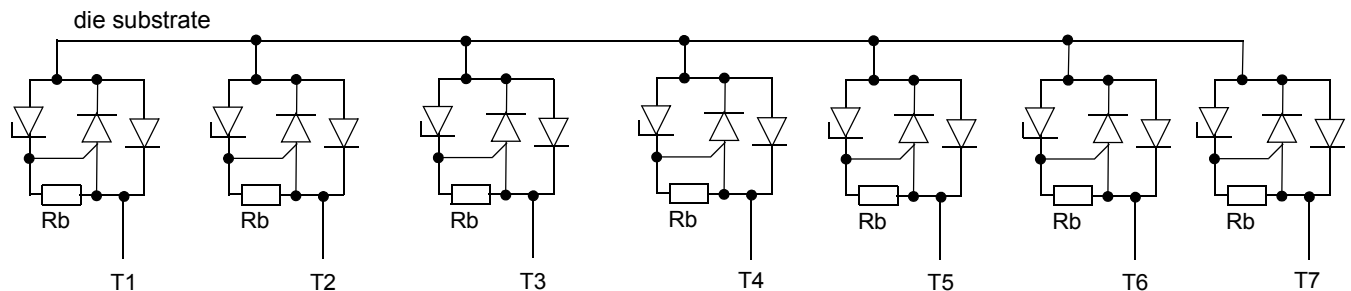


Figure 2 • ZL70574 and ZL70588 Block Diagram

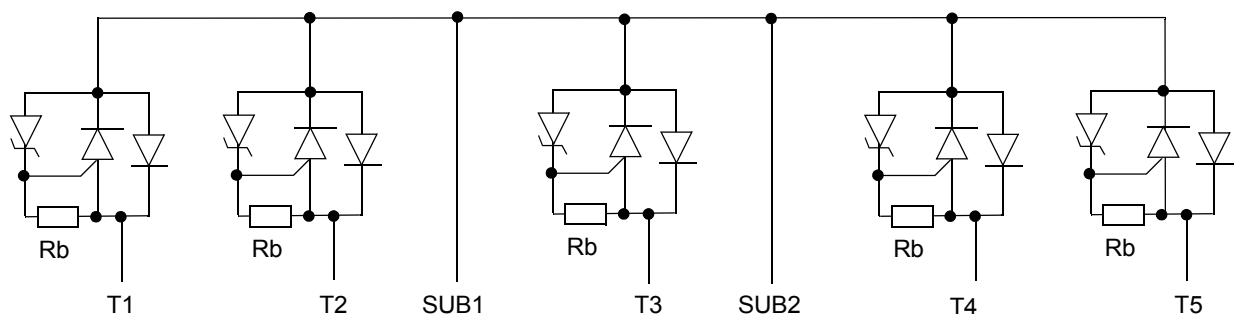


Figure 3 • ZL70571 and ZL70572 Block Diagram

Table of Contents

ZL70571/72/73/74/88 Medical Surge Protection Device (Data Sheet)

1 – Description

2 – Applications

3 – Functional Description

ZL70573	3-1
ZL70574 and ZL70588	3-1
ZL70571 and ZL70572	3-1

4 – Electrical Data

5 – Quality Assurance Procedures

6 – Additional Information

Evaluation Boards	6-1
Flip Chip Processing Recommendations	6-1

7 – Mechanical Data

Mechanical Data — ZL70573	7-1
Mechanical Data — ZL70574	7-2
Mechanical Data — ZL70571 and ZL70572	7-3
Mechanical Data — Solder Bumps ZL70571/72/73/74	7-4
Mechanical Data — ZL70588	7-4

8 – Datasheet Information

List of Changes	8-1
Datasheet Categories	8-1
Safety Critical, Life Support, and High-Reliability Applications Policy	8-2

List of Figures

Figure 1 • ZL70573 Block Diagram	I
Figure 2 • ZL70574 and ZL70588 Block Diagram	I
Figure 3 • ZL70571 and ZL70572 Block Diagram	I
Figure 2-1 • Pacemaker Application Example	2-1
Figure 2-2 • ZL70573 and ZL70574 Bumped Chip Appearance and ZL70588 Bond Pad Placement	2-2
Figure 2-3 • ZL70270, ZL70571 and ZL70572 Bumped Chip Appearance	2-3
Figure 4-1 • 10 ms Surge Current Waveform	4-3
Figure 4-2 • Terminal to Terminal Characteristic	4-4
Figure 4-3 • Turn-On Delay Definition	4-4
Figure 4-4 • dV/dt Immunity Test Pulse	4-4
Figure 4-5 • Peak Voltage during Surge Definition	4-5
Figure 7-1 • Die Size and Bump Placement of ZL70573	7-1
Figure 7-2 • Die Size and Bump Placement of ZL70574	7-2
Figure 7-3 • Die Size and Bump Placement of ZL70571 and ZL70572	7-3
Figure 7-4 • Solder Bump Appearance of ZL70571/72/73/74	7-4
Figure 7-5 • Size and Bond Pad Placement of ZL70588	7-4

List of Tables

Table 2-1 • Pin Description Table — ZL70573, ZL70574, and ZL70588.	2-2
Table 2-2 • Pin Description Table — ZL70571 and ZL70572	2-3
Table 4-1 • Absolute Maximum Ratings*	4-1
Table 4-2 • Recommended Operating Conditions	4-1
Table 4-3 • DC Electrical Characteristics @ +37°C	4-1
Table 4-4 • AC Electrical Characteristics @ +37°C	4-3
Table 6-1 • Evaluation Board, Cross-Reference	6-1

1 – Description

The ZL70571/72/73/74/88 is a family of transient surge suppressing devices designed specifically for implanted medical devices. The device terminals exhibit extremely low leakage during normal voltages and can therefore be connected in parallel with the pins of the device they protect. When the voltage rises to dangerous level it then rapidly turns on and limits the voltage by shunting the current through its thyristors. This makes the ZL70571/72/73/74/88 family an effective means of compliance with international regulations EN-45502, "Active Implantable" and EN-50061, "Safety of Implantable Cardiac Pacemakers".

2 – Applications

The EN-45502 standard states that all active medical devices implanted in a human torso should not be permanently affected by an external defibrillation of the patient. Compliance is confirmed if the implanted device continues to meet device specification after being subjected to a sequence of 140-volt pulses, in series with a 300-ohm resistor between each conductive part of the device, including the device case (see EN-45502 for details). The ZL70571/72/73/74/88 family meets this test and is an effective means of complying with the EN-45502 standard. Without surge protection, the electronics, in almost all cases would be destroyed. The same compliance tests are also described in EN-50061.

In the application example shown in Figure 2-1, each of the dual chamber pacemaker's terminals, and the case, are connected to a terminal on the protection device. If a defibrillation pulse causes the ventricular tip to begin to go positive, relative to the case, the ZL70571 thyristor structure rapidly becomes active and forms a low impedance path between T2 and T3 to absorb the current and limit the voltage. This provides an effective means of protecting the pacemaker chip. The voltages and currents the implanted device is subjected to in an actual defibrillation can be higher than described in EN-45502/EN-50061 and has been taken into account in the design of the ZL70571/72/73/74/88 family.

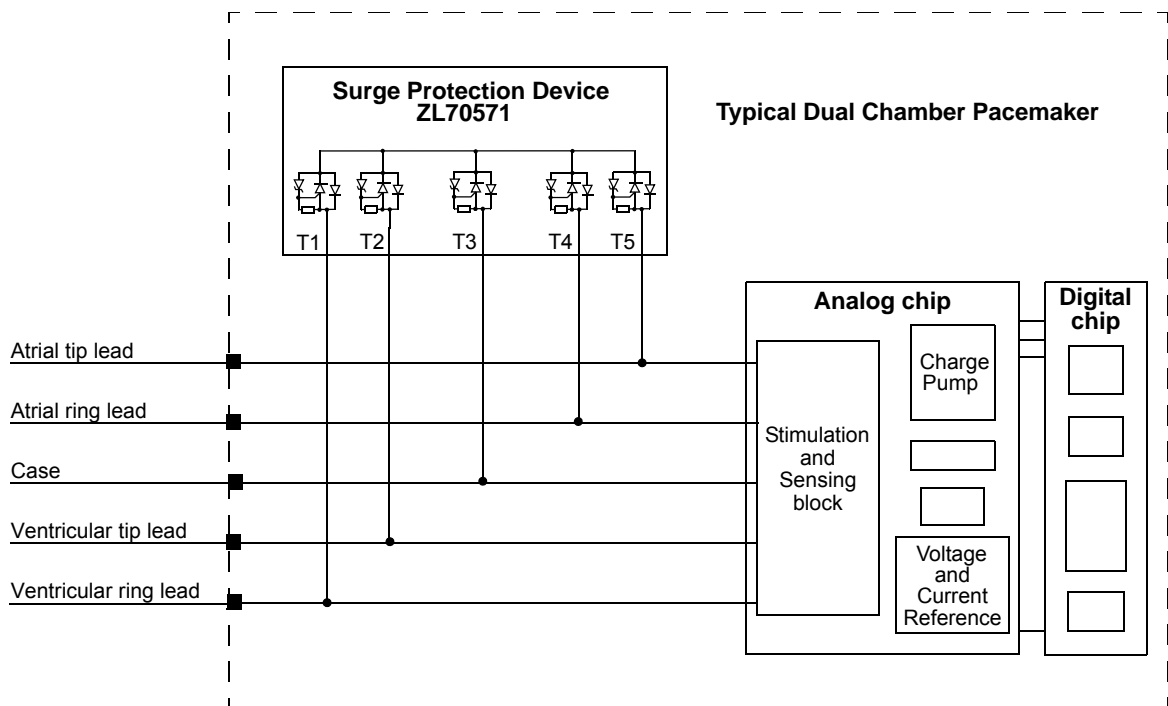


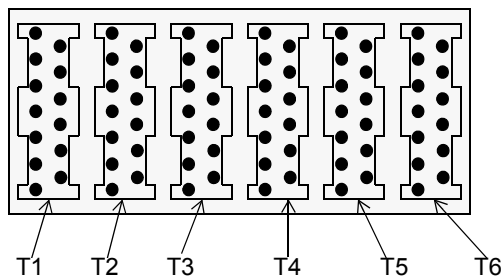
Figure 2-1 • Pacemaker Application Example

Terminals placed most remotely to others must get special attention since they effectively form a large pick-up coil and could therefore be exposed to a large amount of current. When implanted, the pacemaker case is placed beneath the collarbone and all other terminals are placed together inside the heart. For this reason, the largest current will pass through the surge protection terminal connected to the case of the pacemaker. For ZL70571/72, it is recommended that the case be connected to T3 of the protection device; this terminal is designed to withstand the largest amount of current. If the ZL70573/74/88 device is used in a 5 terminal application, we recommend that 2/3/3 pins of the protection device are connected to the implantable device terminal with the largest current flow (typically the terminal for the device case).

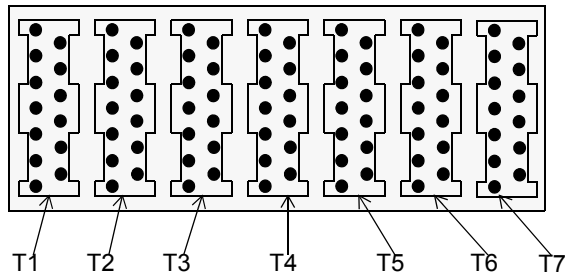
Table 2-1 • Pin Description Table — ZL70573, ZL70574, and ZL70588

Pin #	In/Output	Name	Description
1	I	T1	Transient Surge Protection Terminal 1
2	I	T2	Transient Surge Protection Terminal 2
3	I	T3	Transient Surge Protection Terminal 3
4	I	T4	Transient Surge Protection Terminal 4
5	I	T5	Transient Surge Protection Terminal 5
6	I	T6	Transient Surge Protection Terminal 6
7	I	T7	Transient Surge Protection Terminal 7 (ZL70574 and ZL70588 only)

ZL70573



ZL70574



ZL70588

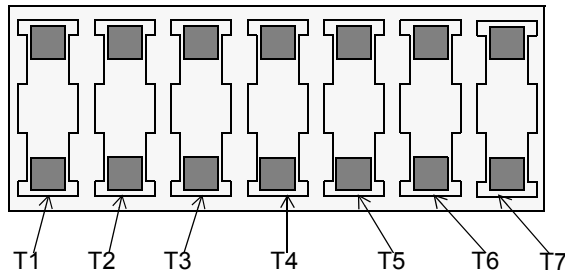


Figure 2-2 • ZL70573 and ZL70574 Bumped Chip Appearance and ZL70588 Bond Pad Placement

Table 2-2 • Pin Description Table — ZL70571 and ZL70572

Pin #	In/Output	Name	Description
1	I	T1	Transient Surge Protection Terminal 1
2	I	T2	Transient Surge Protection Terminal 2
3	I/O	SUB1	Transient Surge Protection Substrate Connection 1
4	I	T3	Transient Surge Protection Terminal 3 Doubled Area
5	I/O	SUB2	Transient Surge Protection Substrate Connection 2
6	I	T4	Transient Surge Protection Terminal 4
7	I	T5	Transient Surge Protection Terminal 5

ZL70571 and ZL70572

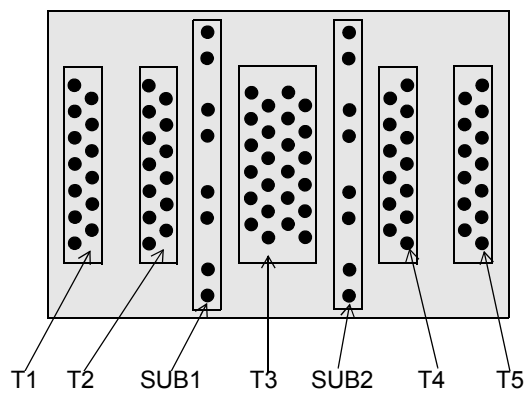


Figure 2-3 • ZL70270, ZL70571 and ZL70572 Bumped Chip Appearance

3 – Functional Description

ZL70573

The ZL70573 is a six-branch device. The suppression is achieved by a self-triggering thyristor-diode device in parallel with a diode between each branch-input and a common node which is also the substrate of the device. The six branches of the device are reached through terminals T1, T2, T3, T4, T5, and T6. The electrical characteristic observed between any two of the terminals (T1, T2, T3, T4, T5, and T6) very much resembles that of a DIAC (see [Figure 4-2 on page 4-4](#)).

When a transient current is forced between two branch-input terminals, the positive terminal will be clamped to the common node by the thyristor-diode of one branch and the negative terminal of the forward voltage diode of other branch. Due to the low on-state voltage of the thyristor that voltage will stay at a safe value during the transient.

ZL70573 has a very high dV/dt immunity, $> 2,300 \text{ V}/\mu\text{s}$.

ZL70574 and ZL70588

The ZL70574 and ZL70588 are seven-branch devices with exactly the same electrical characteristics as ZL70573.

ZL70571 and ZL70572

The ZL70571 and ZL70572 are five-branch transient surge suppressing devices with the same functionality as ZL70573. The only functional difference is that the substrate of the device is accessible through the two terminals SUB1 and SUB2.

ZL70571 and ZL70572 have both an excellent peak voltage handling in the turn-on, they are on in $< 150 \text{ ns}$. Because of that, the peak voltage is reduced to a minimum in the overshoot. As a drawback of this characteristic, dV/dt is guaranteed to be better than $> 100 \text{ V}/\mu\text{s}$.

4 – Electrical Data

Table 4-1 • Absolute Maximum Ratings*

	Parameter	Sym.	Min.	Max.	Units	Test Conditions
1	Storage temperature range	T_S	-40	125	°C	
2	Maximum junction temperature	T_j		125	°C	
3	Maximum surge current	ITSM		8	A	Test according to Figure 4-1 on page 4-3. tp for flip mounted chips with underfill: 10 ms. tp die wire bonded die: 1 ms.
4	Continuous power dissipation	Pmax		300	mW	t > 1 s

* Exceeding these values may cause permanent damage. Functional operations under these conditions is not implemented.

Table 4-2 • Recommended Operating Conditions

	Parameter	Sym.	Min.	Typ. ¹	Max.	Units	Test Conditions
5	Operating temperature range	T_{OP}	0	37	55	°C	

Note:

1. Typical figures are at 37°C and are for design only.

Table 4-3 • DC Electrical Characteristics @ +37°C

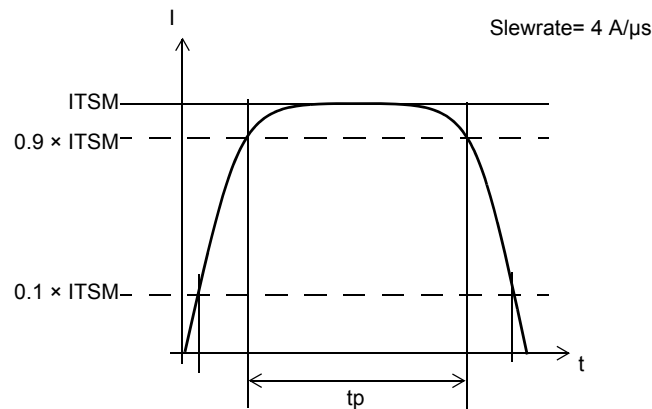
	Parameter	Sym.	Min.	Typ.	Max.	Units	Test Conditions
6	Forward breakdown voltage, Zener diode, terminal to terminal						$I_z = 10 \mu A$
	ZL70573/74/88	Vfz	9.0	10.1	11.0	V	
	ZL70571	Vfz	9.0	9.5	12.2	V	
	ZL70572	Vfz	17.0	18.0	19.5	V	
7	Forward breakdown voltage, Zener diode, terminal to substrate						$I_z = 10 \mu A$
	ZL70571	Vfz	8.5	9.2	11.5	V	
	ZL70572	Vfz	16.5	17.7	19.0	V	
8	Breakover voltage, terminal to terminal						Figure 4-2 on page 4-4
	ZL70573/74/88	Vbo	9.0	11.2	12.0	V	
	ZL70571	Vbo	9.0	10.5	12.2	V	
	ZL70572	Vbo	17.0	18.7	19.5	V	
9	Breakover voltage, terminal to substrate						Figure 4-2 on page 4-4
	ZL70571	Vbo	8.5	9.8	11.5	V	
	ZL70572	Vbo	16.5	18.4	19.0	V	
10	Forward diode voltage drop, substrate to terminal						Measured at 2 A
	ZL70571/72	Vfwd			2	V	

Table 4-3 • DC Electrical Characteristics @ +37°C (continued)

	Parameter	Sym.	Min.	Typ.	Max.	Units	Test Conditions
11	Breakover current						Figure 4-2 on page 4-4
	ZL70573/74/88	I _{bo}		15	200	mA	
	ZL70571/72	I _{bo}		15	40	mA	
12	Holding current	I _h	1			mA	Figure 4-2 on page 4-4
13	On-state voltage terminal to terminal	V _{on}		2.2	3.0	V	Measured with a 300 μs pulse, I _T = 1 A
14	On-state voltage terminal to substrate, ZL70571/72	V _{on}		1.0	3.0	V	Measured with a 300 μs pulse, I _T = 1 A
15	On-state dynamic resistance						Measured with a 300 μs pulse, dI _T = 1–2 A
	ZL70571/73/74/88	R _{on}		0.4	1	Ω	
	ZL70572	R _{on}		0.3	1	Ω	
16	Off-state current, terminal to terminal						
	ZL70573/74/88	I _d		10	100	nA	Measured at 8.0 V
	ZL70571	I _d		10	150	nA	Measured at +8.5 V
	ZL70572	I _d		10	150	nA	Measured at +16.5 V
17	Off-state current terminal to substrate						
	ZL70571	I _d		10	150	nA	Measured at +8.0 V
	ZL70572	I _d		10	150	nA	Measured at +16.0 V
18	After surge pulse	ΔI _d			20	nA	Force 3 current surge pulses, with max 10 s between each (I = 3 A, t = 2 ms), between the terminal under test and the rest of inputs (they should be tied together). If there are substrate connections, these should be left floating.
19	Parasitic capacitance						
	ZL70573/74/88	C _p			50	pF	
20	Parasitic capacitance						
	ZL70571/72	C _p			200	pF	

Table 4-4 • AC Electrical Characteristics @ +37°C

	Parameter	Sym	Min	Typ	Max	Units	Test Conditions
21	Turn-on delay						Defined according to Figure 4-3 on page 4-4 .
	ZL70573/74/88	tond		500	13000	ns	A 200-mA pulse is generated using the shortest possible delay. The time is measured from $V_{bo} - 2\text{ V}$ until the voltage has decreased to 3.5 V.
	ZL70571	tond		140	4000	ns	
	ZL70572	tond			6000	ns	
22	Maximum voltage during surge						Measured at peak and defined according to Figure 4-5 on page 4-5 .
	ZL7073/74/88	Vpeak		13	15	V	
	ZL70571	Vpeak		11.5	13	V	
	ZL70572	Vpeak			21.5	V	
23	Immunity to dV/dt triggering						Defined according to Figure 4-4 on page 4-4 .
	ZL70073/74/88	dV/dt	1000	> 2300		V/ μs	Measured at 8.0 V
	ZL70571	dV/dt	100	160		V/ μs	Measured at 9 V terminal to terminal and at 8.5 V terminal to substrate
	ZL70572	dV/dt	100			V/ μs	Measured at 17 V terminal to terminal and at 16.5 V terminal to substrate


Figure 4-1 • 10 ms Surge Current Waveform

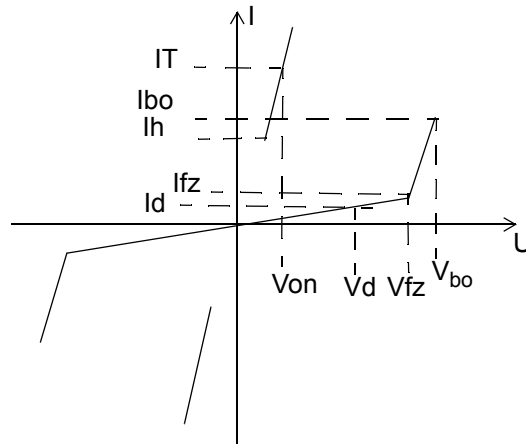


Figure 4-2 • Terminal to Terminal Characteristic

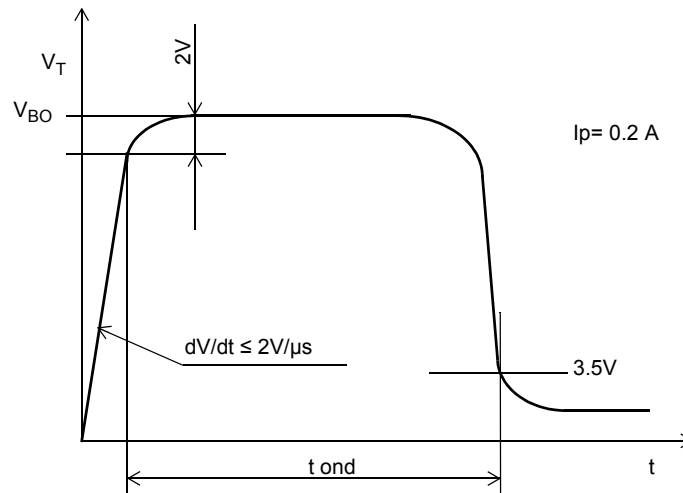


Figure 4-3 • Turn-On Delay Definition

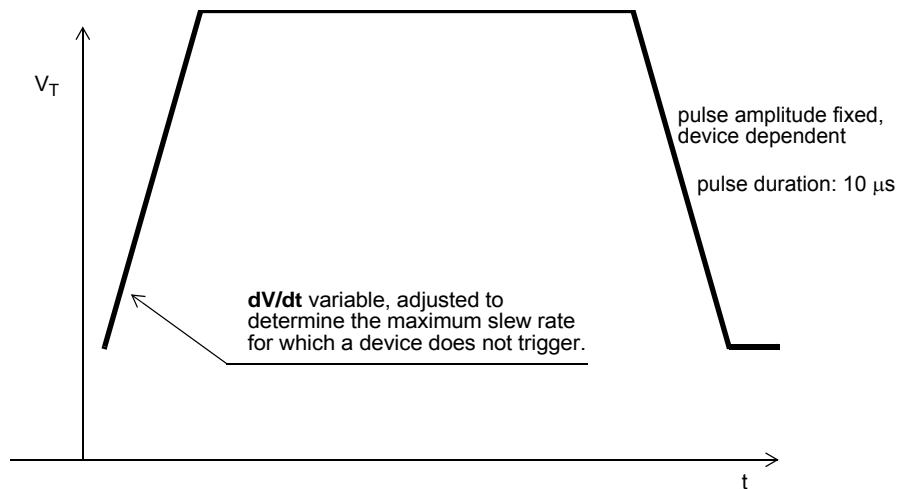


Figure 4-4 • dV/dt Immunity Test Pulse

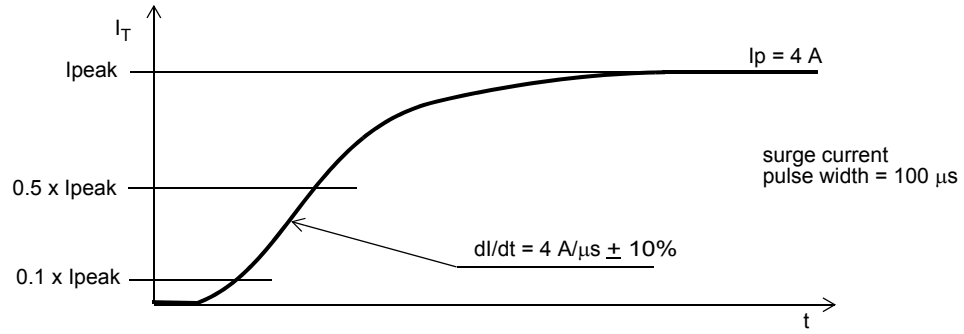


Figure 4-5 • Peak Voltage during Surge Definition

5 – Quality Assurance Procedures

Microsemi's QA procedures are based on MIL-PRF-38535. Microsemi maintains traceability records for every chip to the wafer lot and wafer level. Each wafer lot is subjected to a Lot Acceptance Test (LAT). The devices are assembled to a ceramic test substrate and subjected a 168-hour burn-in test at +125°C, or equivalent. Wafer lots acceptance requires all LAT devices must pass the pre- and post-burn-in electrical tests. A certification of compliance (C of C) is included with each shipment.

Additional details/information are available upon request from Microsemi.

6 – Additional Information

Evaluation Boards

For bench evaluation purposes, Microsemi offers the surge protection devices mounted on ceramic substrate. Each surge protection device terminal and substrate terminal (if present) is accessible by two through hole solder pins attached to either side of the test substrate. Ordering information is listed in [Table 6-1](#) below. Evaluation boards are for testing and evaluation purposes only and are not for use in implanted devices.

Table 6-1 • Evaluation Board, Cross-Reference

Surge Protection Device Part Number	Evaluation Board Part Number	Evaluation Board Description
ZL70571UDJ	ZLE70571MAD	Eval Board, Surge Protection, ZL70571
ZL70572UDJ	ZLE70572MAD	Eval Board, Surge Protection, ZL70572
ZL70573UDJ	ZLE70573MAD	Eval Board, Surge Protection, ZL70573
ZL70574UDJ	ZLE70574MAD	Eval Board, Surge Protection, ZL70574
ZL70588UBJ	ZLE70588MAD	Eval Board, Surge Protection, ZL70588

Flip Chip Processing Recommendations

The surge protection devices described in this document (with the exception of ZL70588) are designed for flip chip assembly. The face or active surface of the chip is covered with small tin/lead solder bumps designed to connect to solder pads on the surface of a circuit board via reflow soldering. For best results, an underfill should be added to fill in the gap between the die and circuit board to reduce thermal stresses imposed on the solder joint. Microsemi does not offer a recommended circuit board pad pattern for these devices. However, there are two approaches to consider when designing the circuit board pad pattern. One method is to layout a pattern of individual pads matched to each solder bump. A second method is to design a pattern of rectangular pads large enough to connect all of the pads for a single terminal. No matter the method used, all of the solder bumps associated with an individual terminal must be connected together via the circuit board (refer to [Figure 2-2 on page 2-2](#) and [Figure 2-3 on page 2-3](#)). Likewise, in the case of ZL70571/72, all of the SUB1 and SUB2 solder bumps must also be connected together (refer to [Figure 2-3](#)). If unfamiliar with flip chip processing, Microsemi recommends that the customer seek advice from a consultant or subcontractor familiar with the process.

7 – Mechanical Data

Mechanical Data — ZL70573

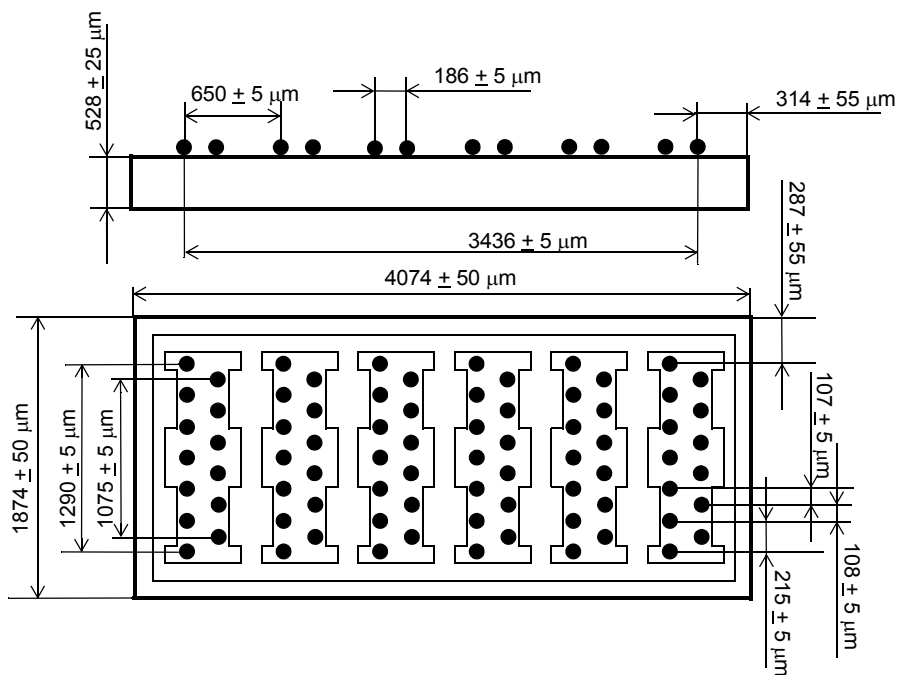


Figure 7-1 • Die Size and Bump Placement of ZL70573

Mechanical Data — ZL70574

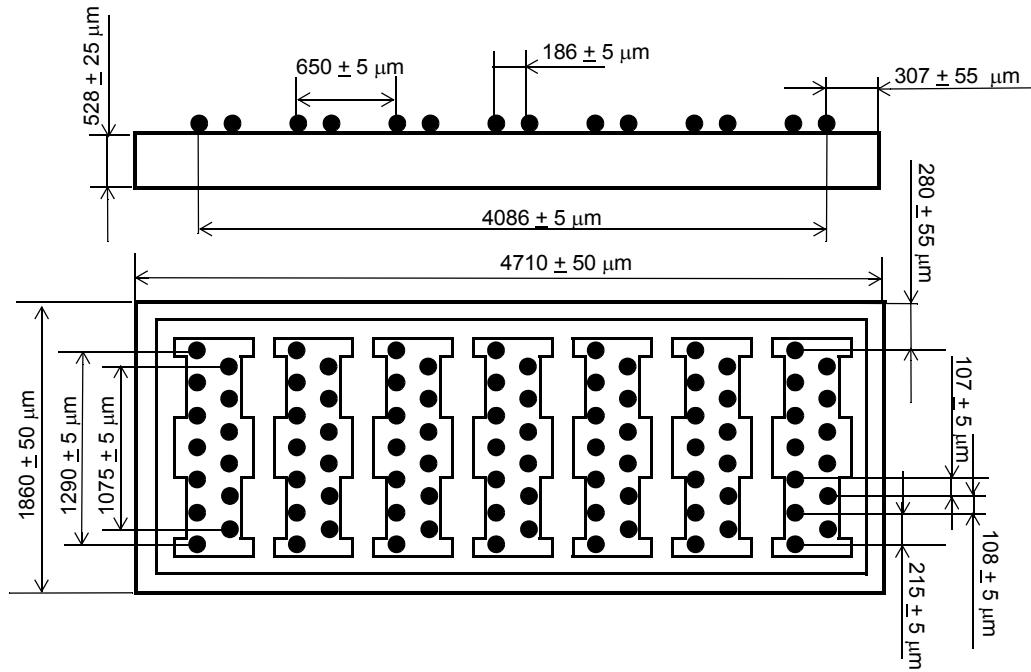


Figure 7-2 • Die Size and Bump Placement of ZL70574

Mechanical Data — ZL70571 and ZL70572

Die thickness is:
 - ZL70571: $528 \pm 25 \mu\text{m}$
 - ZL70572: $452 \pm 25 \mu\text{m}$

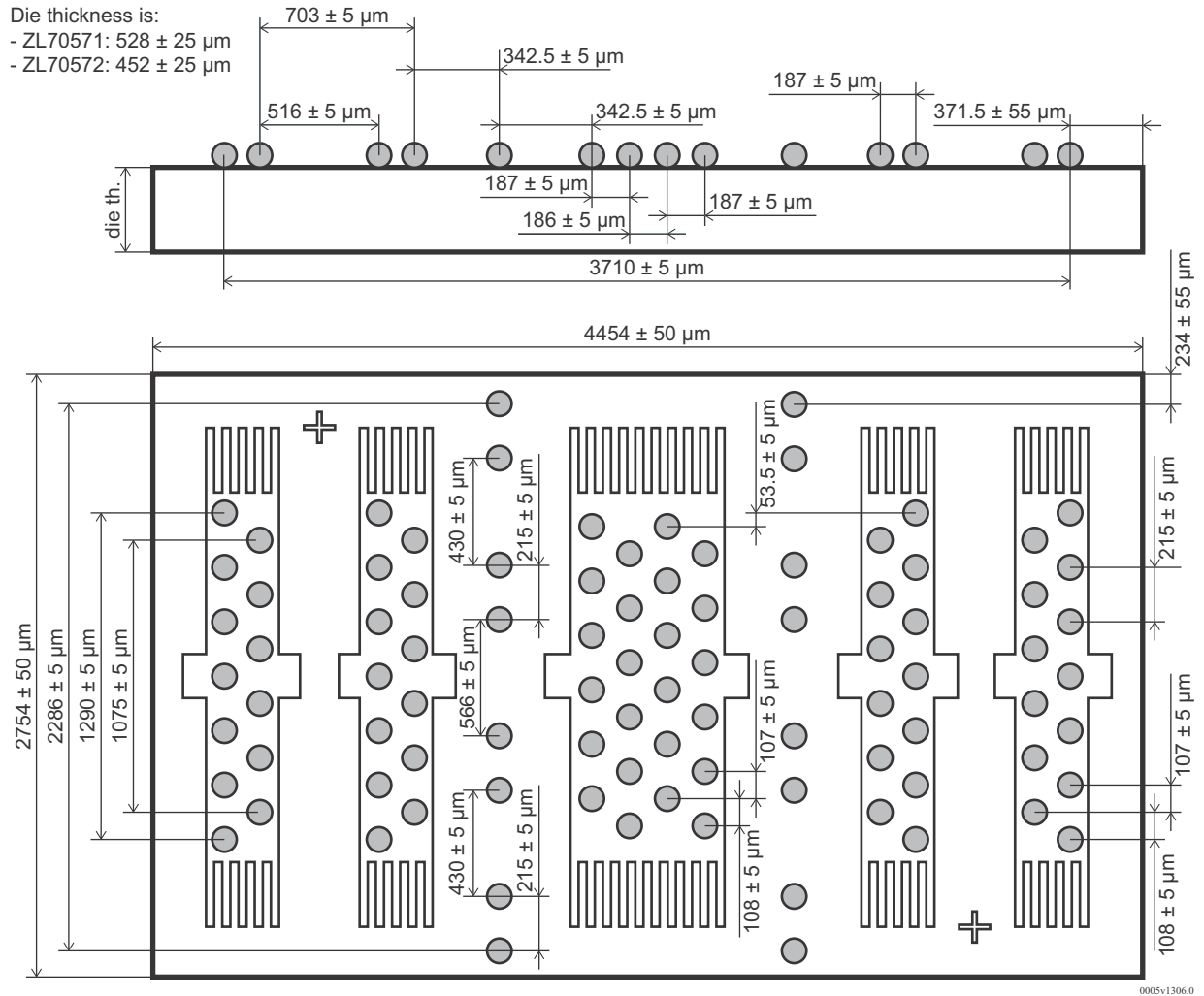


Figure 7-3 • Die Size and Bump Placement of ZL70571 and ZL70572

Mechanical Data — Solder Bumps ZL70571/72/73/74

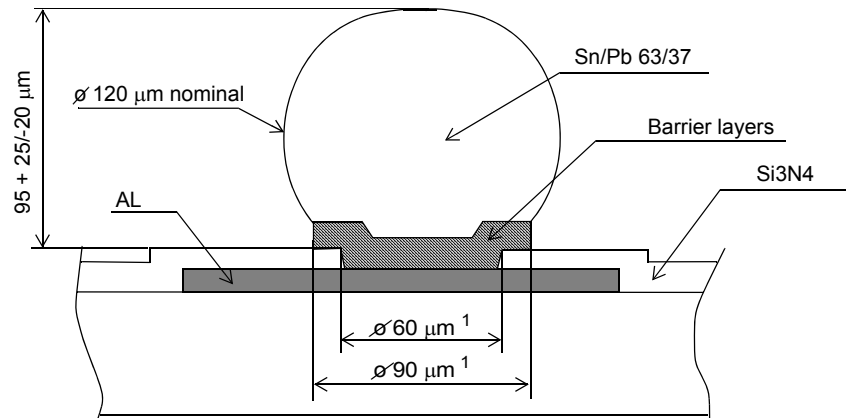


Figure 7-4 • Solder Bump Appearance of ZL70571/72/73/74

Mechanical Data — ZL70588

Die Thickness is $528 \pm 25 \mu\text{m}$

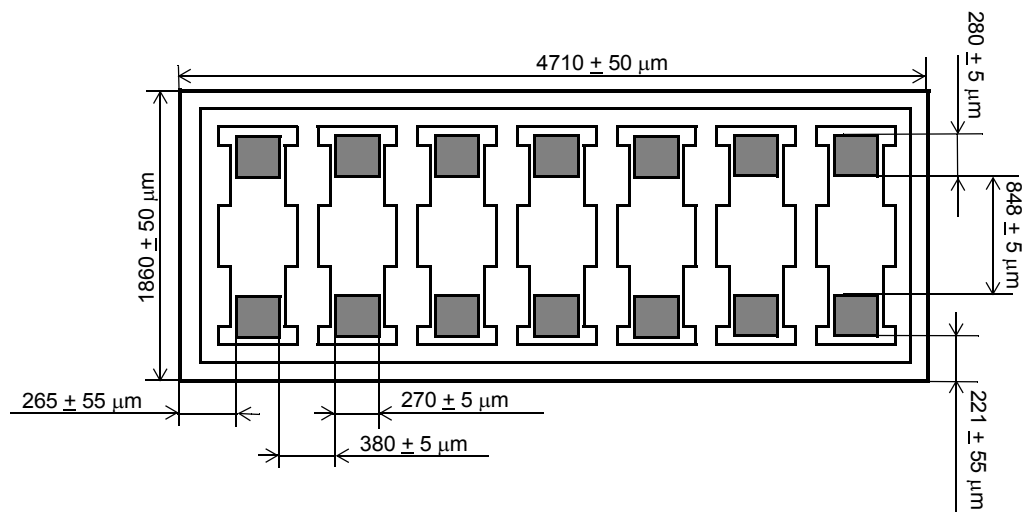


Figure 7-5 • Size and Bond Pad Placement of ZL70588

8 – Datasheet Information

List of Changes

The following table lists critical changes that were made in the ZL70571/72/73/74/88 Medical Surge Protection Device (Data Sheet) (107092) after September 2008.

Revision	Changes	Page
Revision 14 (August 2013)	Figure 7-3 was updated to add additional details.	7-3
Revision 13 (April 2013)	Assigned test number 18 to After Surge Pulse, as the number had been inadvertently omitted and the tests out of order. Subsequent lines (i.e., test numbers) were renumbered appropriately.	4-3
	In Table 4-4, replaced the text in the Test Condition column for line 20, Turn-on delay, to clarify the test method.	4-3
	Replaced Figure 4-3 with a new drawing. Added a new Figure 4-5 (comprising a portion of the previous Figure 4-3). Changed figure cross-references in Table 4-4 for lines 22 and 23 to reflect the changes to the figures.	4-3, 4-4, 4-5
Revision 12 (April 2012)	Name change from Zarlink to Microsemi. Included changing document format and chapter structure. Spelling and grammar were also corrected throughout the document.	All
	Updated bullets for "Applications".	I
Revision 11 (December 2010)	Complete revamp due to transfer from MHS to Dalsa. There will be no changes electrically.	–
	Corrected dimensions and tolerances in Figure 7-1.	7-1
	Corrected dimensions and tolerances in Figure 7-5.	7-4

Datasheet Categories

Categories

In order to provide the latest information to designers, some datasheet parameters are published before data has been fully characterized from silicon devices. The data provided for a given device is designated as either "Product Brief," "Advance," "Preliminary," or "Production." The definitions of these categories are as follows:

Product Brief

The product brief is a summarized version of a datasheet (advance or production) and contains general product information. This document gives an overview of specific device and family information.

Advance

This version contains initial estimated information based on simulation, other products, devices, or speed grades. This information can be used as estimates, but not for production. This label will only be used when the data has not been fully characterized.

Preliminary

The datasheet contains information based on simulation and/or initial characterization. The information is believed to be correct, but changes are possible.

Production

This version contains information that is considered to be final.

Safety Critical, Life Support, and High-Reliability Applications Policy

The products described in an advance status document may not have completed the Microsemi qualification process. Products may be amended or enhanced during the product introduction and qualification process, resulting in changes in device functionality or performance. It is the responsibility of each customer to ensure the fitness of any product (but especially a new product) for a particular purpose, including appropriateness for safety-critical, life-support, and other high-reliability applications. Consult the Microsemi CMPG Products Group Terms and Conditions for specific liability exclusions relating to life-support applications. A reliability report covering all of the CMPG Products Group's products is available from Microsemi upon request. Microsemi also offers a variety of enhanced qualification and lot acceptance screening procedures. Contact your local sales office for additional reliability information.



Microsemi Corporate Headquarters
One Enterprise, Aliso Viejo CA 92656 USA
Within the USA: +1 (949) 380-6100
Sales: +1 (949) 380-6136
Fax: +1 (949) 215-4996

Microsemi Corporation (NASDAQ: MSCC) offers a comprehensive portfolio of semiconductor solutions for: aerospace, defense and security; enterprise and communications; and industrial and alternative energy markets. Products include high-performance, high-reliability analog and RF devices, mixed signal and RF integrated circuits, customizable SoCs, FPGAs, and complete subsystems. Microsemi is headquartered in Aliso Viejo, Calif. Learn more at www.microsemi.com.

© 2013 Microsemi Corporation. All rights reserved. Microsemi and the Microsemi logo are trademarks of Microsemi Corporation. All other trademarks and service marks are the property of their respective owners.