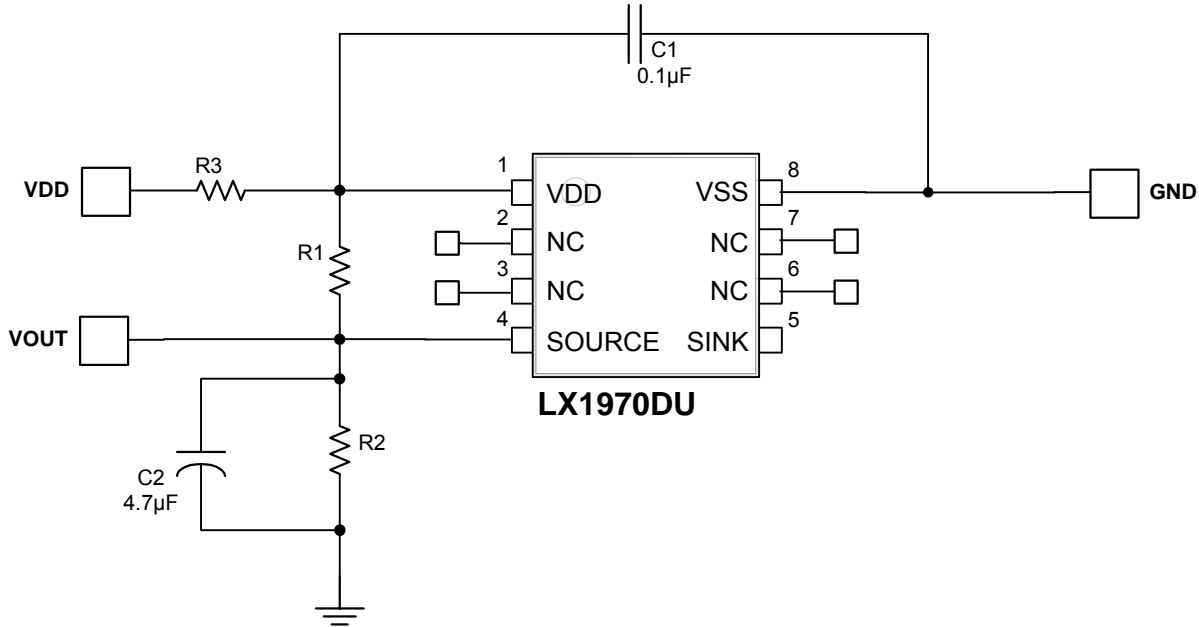


SCHEMATIC


The LX1970 Mini Light Sensor Board has been designed to easily interface and control virtually any lighting requirement. Resistor values can be changed to adjust desired minimum brightness range and slope. See LX1970 datasheet and application note for additional information.

$$V_{OUT} = I_{SRC} \frac{(R1)(R2)}{R1+R2} + V_{DD} \frac{R2}{R1+R2}$$

$$R1 = 150K\Omega$$

$$R2 = 30K\Omega$$

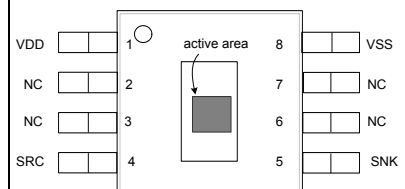
$$R3 = 0\Omega$$

$$V_{DD} = 3.0V$$

$$\text{At total dark, } V_{OUT} = .5V$$

$$\text{At maximum LUX, } V_{OUT} = 2.8V$$

PHOTO

PACKAGE PIN OUT

DU PACKAGE
 (Top View)

FUNCTIONAL PIN DESCRIPTION

NAME	DESCRIPTION
V _{DD}	Input Supply Voltage
V _{SS}	Ground Reference for Power and Signal Output
SNK	Output Current Sink
SRC	Output Current Source



LX1970 Mini Control Board

LX1970 Light Sensor