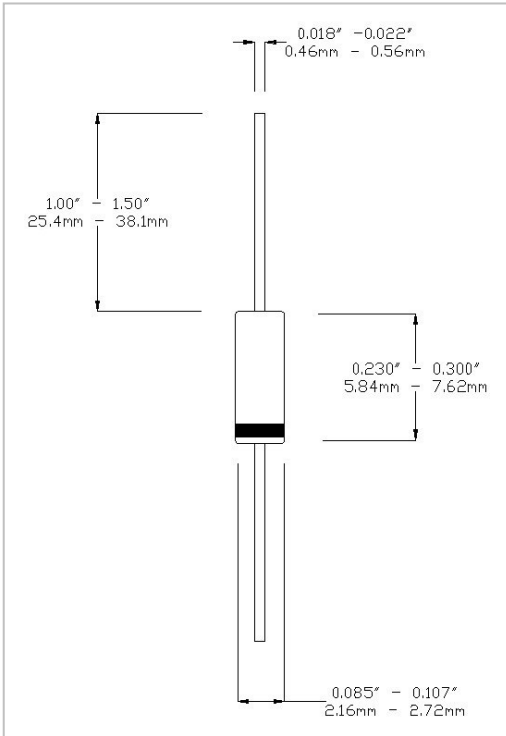


1N486B

FEATURES

- 1N486B AVAILABLE IN JAN, JANTX, AND JANTXV PER MIL-PRF-19500/118
- SWITCHING DIODE
- METALLURGICALLY BONDED
- HERMETICALLY SEALED
- DOUBLE PLUG CONSTRUCTION
- ALSO AVAILABLE AS 1N486A



MAXIMUM RATINGS AT 25 °C

| | |
|--------------------------------|--|
| Operating Temperature: | -65°C to +175°C |
| Storage Temperature: | -65°C to +175°C |
| Surge Current, sine, 8.3mS: | 2A |
| Total Power Dissipation, 25°C: | 500mW |
| Power Derating Factor, 25°C: | 3mW/°C |
| Max. Operating Current, 25°C: | 200mA |
| Derating Factor: | 1.2mA/°C above T _A = +25°C |
| Max. Operating Current, 150°C: | 50mA |
| Derating Factor: | 1.0mA/°C above T _A = +150°C |
| D.C. Reverse Voltage (VRWM): | 225 V |

DESIGN DATA

Case: Hermetically sealed glass package per MIL-PRF-19500/118 DO-7 outline

Lead Material: Copper clad steel

Lead Finish: Tin/Lead

Thermal Impedance (Z_{θJX}): 70°C/W maximum

Marking: Blue body coat, black digits

Polarity: Cathode end is banded

DC ELECTRICAL CHARACTERISTICS

| V _F | | | | I _R | | | |
|----------------|-------------------|-------|-------|----------------|--------|--------|--------|
| Ambient (°C) | I _F mA | Min V | Max V | Ambient (°C) | V (dc) | Min μA | Max μA |
| 25 | 100 | 0.8 | 1.0 | 25 | 225 | - | 0.025 |
| -55 | 100 | - | 1.2 | 25 | 250 | - | 100 |
| | | | | 150 | 225 | - | 5.0 |



WWW.MICROSEMI.COM

IRELAND - GORT ROAD, ENNIS, CO. CLARE

PHONE: +353 65 6840044
TOLL FREE: +186 62 702434
FAX: +353 65 6822298

U.S.A. DOMESTIC SALES CONTACT

PHONE: (617) 926 0404
TOLL FREE: 1 800 666 2999