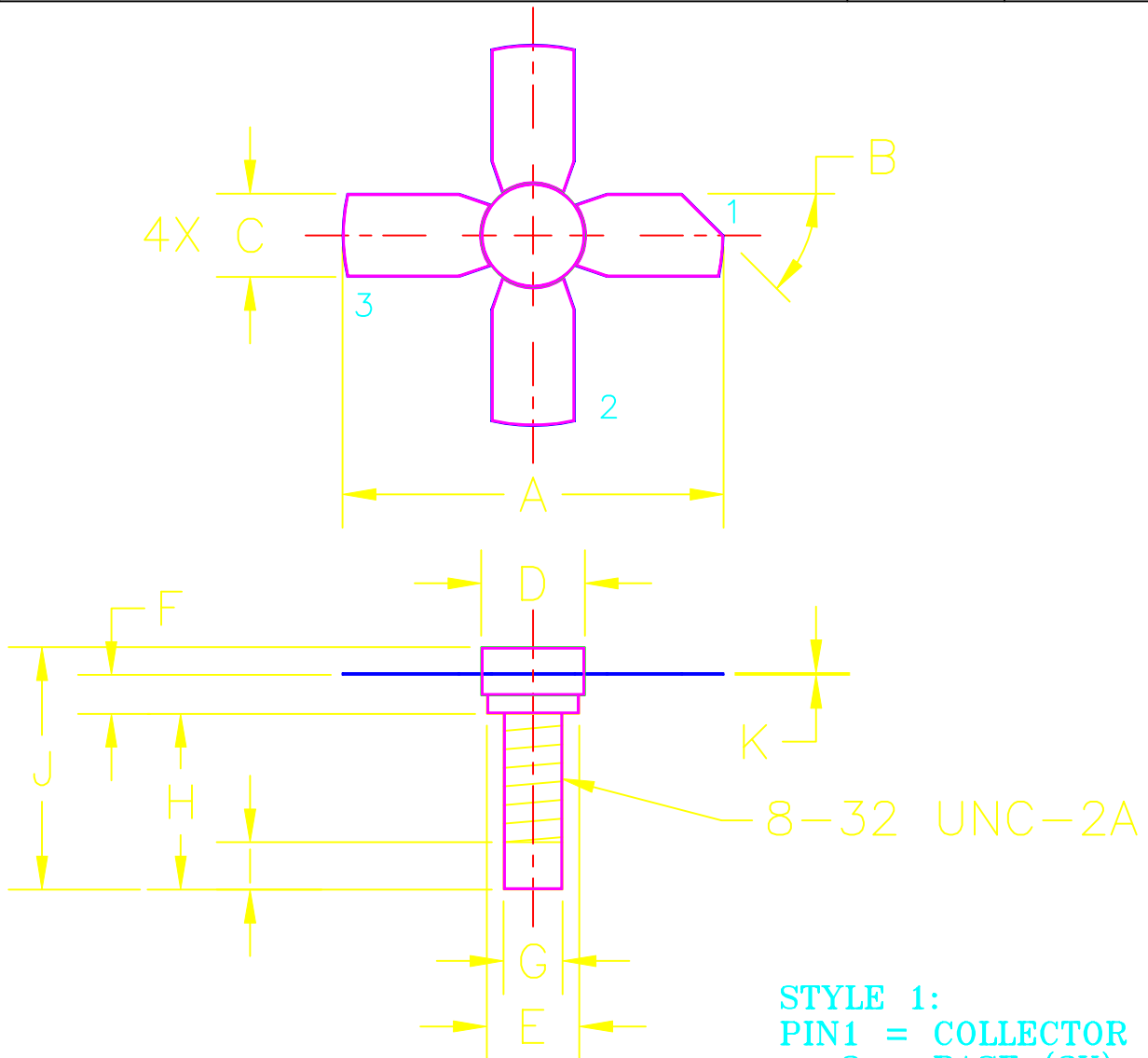


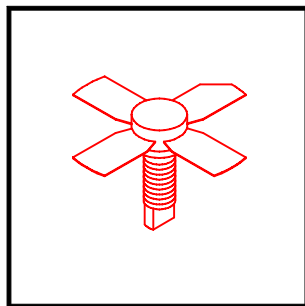
REVISIONS

ZONE	REV	DESCRIPTION	DATE	APPROVED
------	-----	-------------	------	----------



STYLE 1:  
 PIN1 = COLLECTOR  
 2 = BASE (2X)  
 3 = EMITTER

STYLE 2:  
 PIN1 = COLLECTOR  
 2 = EMITTER (2X)  
 3 = BASE



DIM	MILLIMETER	±TOL	INCHES	±TOL
A	26.16	.38	1.030	.015
B	45°	5°	45°	5°
C	5.71	.13	.225	.005
D	7.11 DIA	.13	.280 DIA	.005
E	6.35	.13	.250	.005
F	3.05	.13	.120	.005
G	2.92	.25	.115	.010
H	13.34	MAX	.525	MAX
I	3.30	.38	.130	.015
J	16.64	REF	.655	REF
K	0.13	.02	.005	.01



CAGE	DWG NO.	55FT	REV	B
OPJR2	SCALE	2/1	SHEET	