

# 101441C

## FB600-348/174/87/43.5 Switched Filter Module

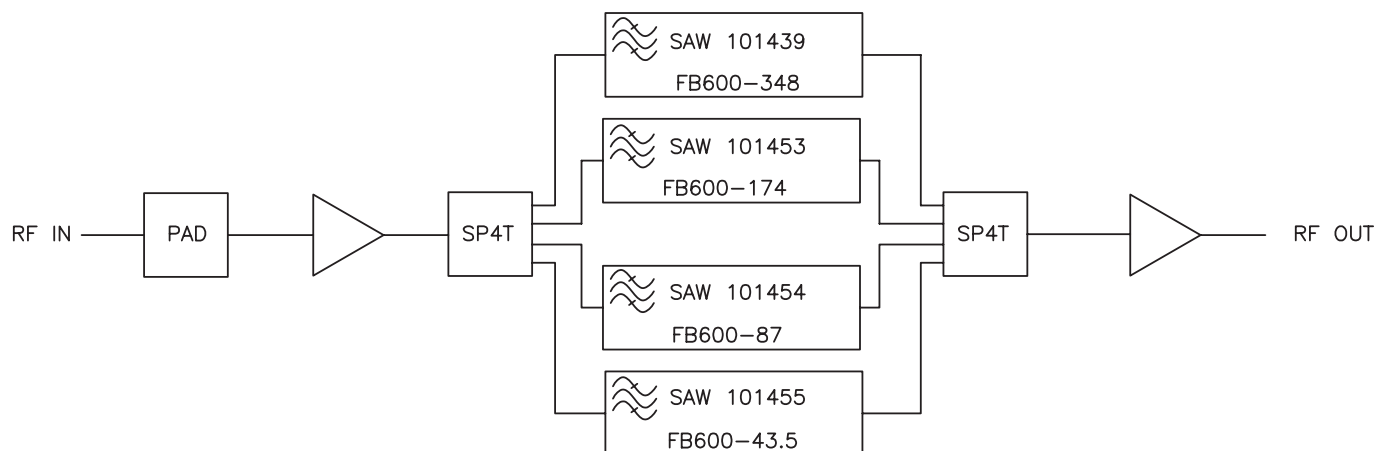
### Specifications

Parameter	Symbol	Unit	101439	101453	101454	101455
Filter Component			101439	101453	101454	101455
Center Frequency	$F_0$	MHz defined	600	600	600	600
Bandwidth	B	MHz defined	348	174	87	43.5
-3dB Bandwidth	$B_3$	MHz min	375.7	191	95.8	47.1
-40dB Bandwidth	$B_{40}$	MHz max	439.7	218.2	112.1	55.5
Delay	$T_0$	$\mu$ sec typ	0.655	0.658	0.773	1.069
Amplitude Ripple		dB <sub>P-P</sub> max	1.4	1	1.4	1.2
Phase Ripple		deg <sub>P-P</sub> max	6	6	8	5
Rejection		dB max	-35	-35	-35	-35
Spurious for $ t - T_0  > .9T_0$		dB max	-39	-35	-42	-40
Gain		dB min	0	0	0	0
Power In for -1 dB Comp		dBm min	-6	-6	-6	-6
Noise Figure		dB max	25	25	25	25
Return Loss		dB min	10			
DC Power	12V @ 150mA, 5V @ 4mA					

### Notes

Switched Filter Module.

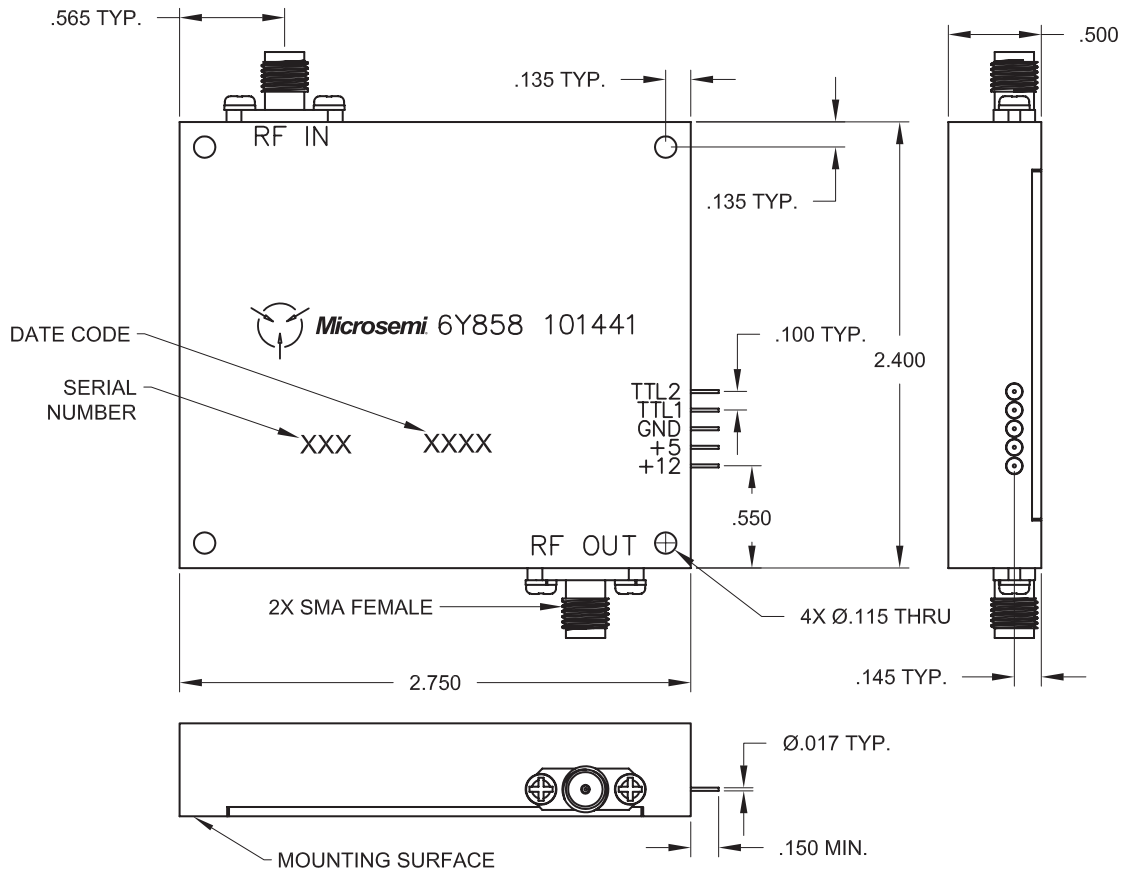
### System Block Diagram



# 101441C

## FB600-348/174/87/43.5 Switched Filter Module

### Package Outline



**Microsemi Corporate Headquarters**  
 One Enterprise, Aliso Viejo, CA 92656 USA  
 Within the USA: +1 (800) 713-4113  
 Outside the USA: +1 (949) 380-6100  
 Fax: +1 (949) 215-4996  
 Email: sales.support@microsemi.com  
 www.microsemi.com

Microsemi Corporation (Nasdaq: MSCC) offers a comprehensive portfolio of semiconductor and system solutions for aerospace & defense, communications, data center and industrial markets. Products include high-performance and radiation-hardened analog mixed-signal integrated circuits, FPGAs, SoCs and ASICs; power management products; timing and synchronization devices and precise time solutions, setting the world's standard for time; voice processing devices; RF solutions; discrete components; enterprise storage and communication solutions, security technologies and scalable anti-tamper products; Ethernet solutions; Power-over-Ethernet ICs and midspans; as well as custom design capabilities and services. Microsemi is headquartered in Aliso Viejo, California and has approximately 4,800 employees globally. Learn more at [www.microsemi.com](http://www.microsemi.com).

Microsemi makes no warranty, representation, or guarantee regarding the information contained herein or the suitability of its products and services for any particular purpose, nor does Microsemi assume any liability whatsoever arising out of the application or use of any product or circuit. The products sold hereunder and any other products sold by Microsemi have been subject to limited testing and should not be used in conjunction with mission-critical equipment or applications. Any performance specifications are believed to be reliable but are not verified, and Buyer must conduct and complete all performance and other testing of the products, alone and together with, or installed in, any end-products. Buyer shall not rely on any data and performance specifications or parameters provided by Microsemi. It is the Buyer's responsibility to independently determine suitability of any products and to test and verify the same. The information provided by Microsemi hereunder is provided "as is, where is" and with all faults, and the entire risk associated with such information is entirely with the Buyer. Microsemi does not grant, explicitly or implicitly, to any party any patent rights, licenses, or any other IP rights, whether with regard to such information itself or anything described by such information. Information provided in this document is proprietary to Microsemi, and Microsemi reserves the right to make any changes to the information in this document or to any products and services at any time without notice.