

MMS008PP3

Datasheet

DC–8 GHz GaAs MMIC SP4T Non-Reflective Switch

Released

May 2017



Power Matters.™

Contents

1	Revision History	1
1.1	Revision 1.0	1
2	Product Overview	2
2.1	Applications	2
2.2	Key Features	2
3	Electrical Specifications	3
3.1	Absolute Maximum Ratings	3
3.2	Specified Electrical Performance	4
3.3	Typical Performance Curves	4
3.4	Control Voltages	6
3.5	TTL Interface Circuit	7
4	Package Outline Drawing, Package Information, and Pin Descriptions	8
4.1	Package Outline	8
4.2	Package Information	8
4.3	Pin Descriptions	9
5	Handling Recommendations	10
6	Evaluation Board Information	11
7	Ordering Information	12

1 Revision History

The revision history describes the changes that were implemented in the document. The changes are listed by revision, starting with the most current publication.

1.1 Revision 1.0

Revision 1.0 was published in May 2017. It was the first publication of this document.

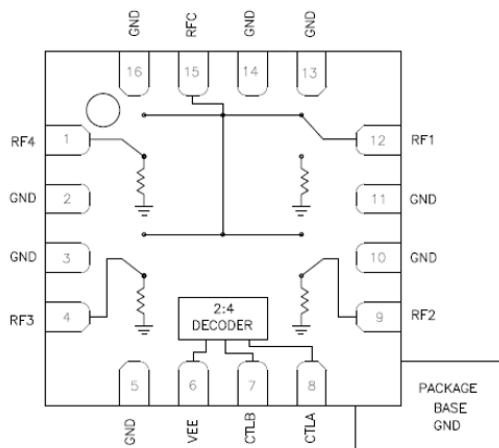
2 Product Overview

The MMS008PP3 device is a DC-to-8 GHz, non-reflective gallium arsenide (GaAs) pseudomorphic high-electron-mobility transistor (pHEMT) single-pole 4 throw (SP4T) monolithic microwave integrated circuit (MMIC) switch in a plastic leadless 3 mm × 3 mm surface-mount package. The switch delivers an average of 40 dB of isolation across the DC-to-8 GHz band while maintaining a low insertion loss of 1.8 dB. This switch includes an on-board binary 2:4 decoder circuit which reduces the required logic control lines. The control voltages are 0/–5 V, with a fixed bias of –5 V.

This device is also available in die form as the MMS008AA.

The following illustration shows the primary functional diagram of the MMS008PP3 device.

Figure 1 • Functional Diagram



2.1 Applications

The MMS008PP3 device is designed for the following applications:

- Test instrumentation
- Military radar, radio, EW, and ECM applications
- General purpose microwave applications

2.2 Key Features

The following are key features of the MMS008PP3 device:

- Non-reflective topology
- Broadband performance: DC–8 GHz
- Onboard 2:4 decoder
- Fast switching: 10 ns
- Low insertion loss: 1.5 dB at 6 GHz
- Excellent isolation: 40 dB at 6 GHz
- Compact 16-lead plastic QFN package: 3 mm × 3 mm × 0.85 mm
- High-input P1dB: 29 dBm
- High-input IP3: 44 dBm

3 Electrical Specifications

This section details the electrical specifications of the MMS008PP3 device.

3.1 Absolute Maximum Ratings

The following table lists the absolute maximum ratings of the MMS008PP3 device.

Table 1 • Absolute Maximum Ratings

Parameter	Rating
Storage temperature	–65 °C to 150 °C
Operating temperature	–40 °C to 85 °C
Bias voltage range (Vee)	–7 VDC
Control voltage range (A/B)	Vee –0.5 V to +1.0 VDC
Maximum input power (low-loss state)	28 dBm
Channel temperature	150 °C
Thermal resistance (insertion loss path)	100 °C/W
Thermal resistance (terminated path)	180 °C/W
ESD sensitivity (HBM)	Class 1A

3.2 Specified Electrical Performance

The following table lists the specified electrical performance of the MMS008PP3 device at 25 °C, where V_{control} (CTLA/CTLB) is 0 V, –5 V, and Vee is –5 V. The system is 50 Ω .

Table 2 • Specified Electrical Performance

Parameter	Frequency	Min	Typ	Max	Units
Operational frequency range		DC		8.0	GHz
Insertion loss	DC–2.0 GHz		1.2	2.0	dB
Insertion loss	DC–6.0 GHz		1.5	2.2	dB
Insertion loss	DC–8.0 GHz		1.7	2.5	dB
Isolation	DC–2.0 GHz	43	55		
Isolation	DC–4.0 GHz	35	48		dB
Isolation	DC–6.0 GHz	32	43		dB
Isolation	DC–8.0 GHz	30	43		dB
$T_{\text{RISE}}, T_{\text{FALL}}$	DC–8.0 GHz (10% to 90% and 90% to 10% RF)		10, 10		ns
$T_{\text{ON}}, T_{\text{OFF}}$	DC–8.0 GHz (50% control to 10/90%, and 90/10% RF)		85, 35		ns
Return loss (on state)	DC–2.0 GHz		19		dB
Return loss (on state)	DC–4.0 GHz		21		dB
Return loss (on state)	DC–6.0 GHz		17		dB
Return loss (on state)	DC–8.0 GHz		17		dB
Return loss (off state)	DC–8.0 GHz		24		dB
Input power for 0.1 dB compression	0.5 GHz–8.0 GHz		23		dBm
Input power for 1.0 dB compression	0.5 GHz–8.0 GHz		29		dBm
Input third-order intercept (IIP3)	0.5 GHz–8.0 GHz (two-tone input power, +7 dBm each tone)	40	45		dBm

3.3 Typical Performance Curves

This section details the typical performance curves of the MMS008PP3 device.

Figure 2 • Insertion Loss vs. Temperature

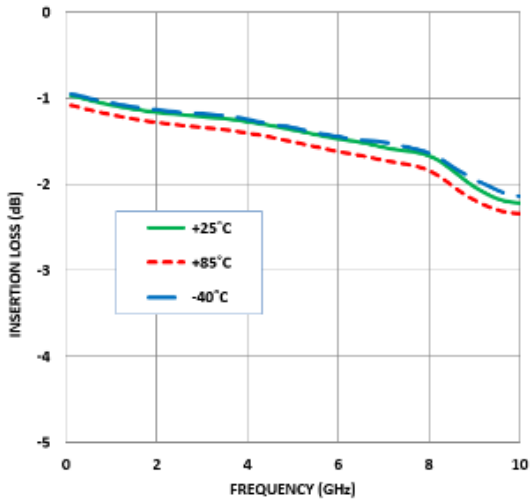


Figure 3 • Isolation

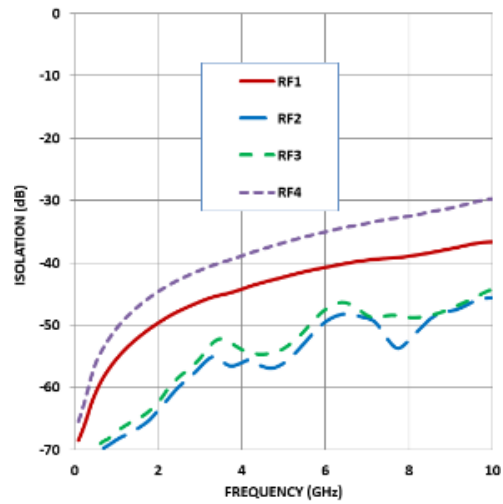


Figure 4 • Return Loss

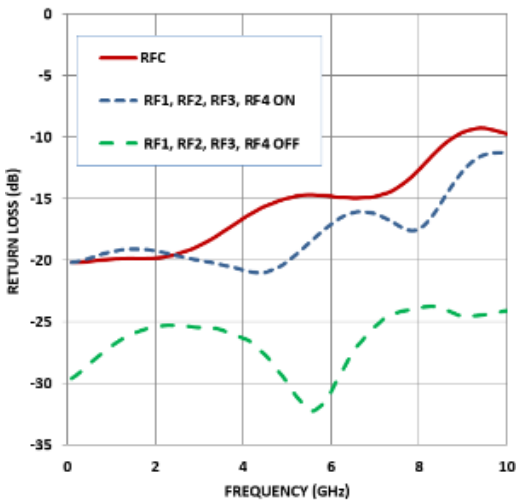


Figure 5 • 0.1 dB and 1 dB Input Compression Point

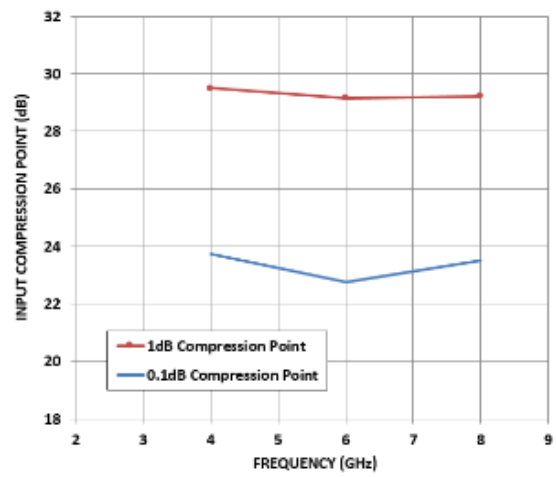
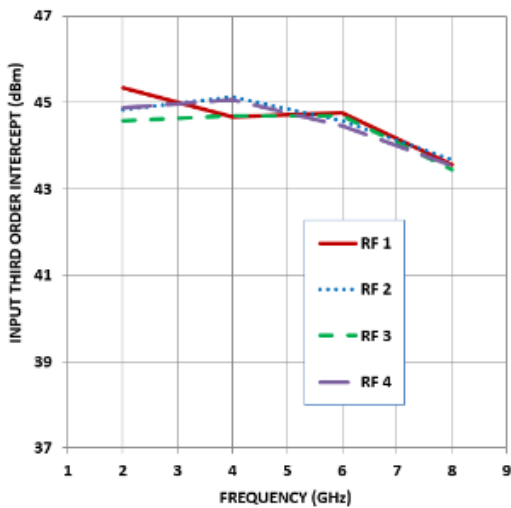


Figure 6 • Input Third Order Intercept Point



3.4 Control Voltages

The following tables lists the control voltages of the MMS008PP3 device.

Table 3 • Switch Control Truth

Control Input A	Control Input B	Signal Path Condition RF Common to RF1	Signal Path Condition RF Common to RF2	Signal Path Condition RF Common to RF3	Signal Path Condition RF Common to RF4
High	High	On	Off	Off	Off
Low	High	Off	On	Off	Off
High	Low	Off	Off	On	Off
Low	Low	Off	Off	Off	On

Table 4 • Digital Control Voltages

State	Bias Condition
Low	–3 V to 0 V, 250 μ A typ
High	–5.0 V to –4.2 V, 0.95 μ A typ

The following table lists the bias voltage and current of the MMS008PP3 devices where the Vee range is –5.0 VDC \pm 10%.

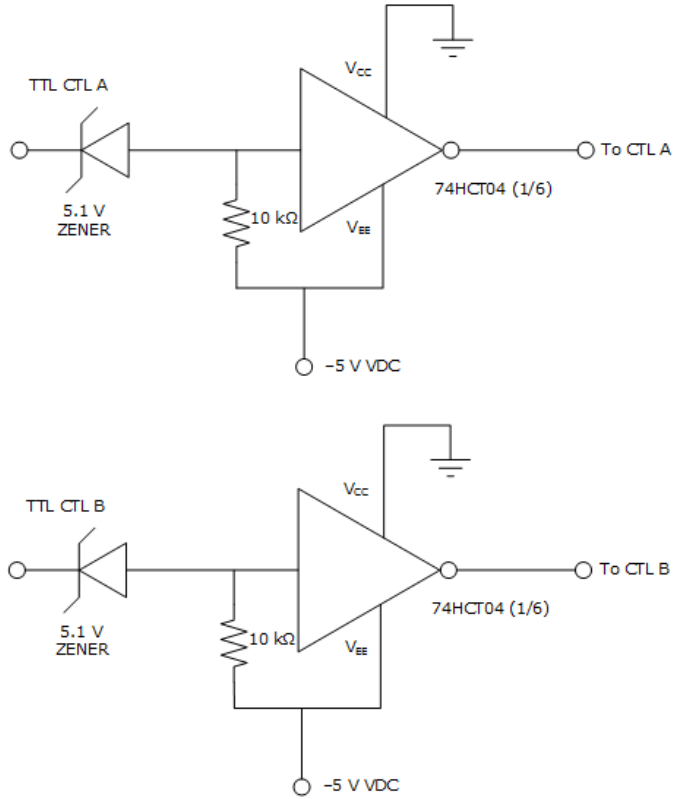
Table 5 • Bias Voltage and Current

Vee	I _{ee} (Typ)	I _{ee} (Max)
–5.0 VDC	4.4 mA	6.0 mA

3.5 TTL Interface Circuit

The following image shows an example of a possible control voltage driver circuit.

Figure 7 • Control Voltage Driver Circuit Example



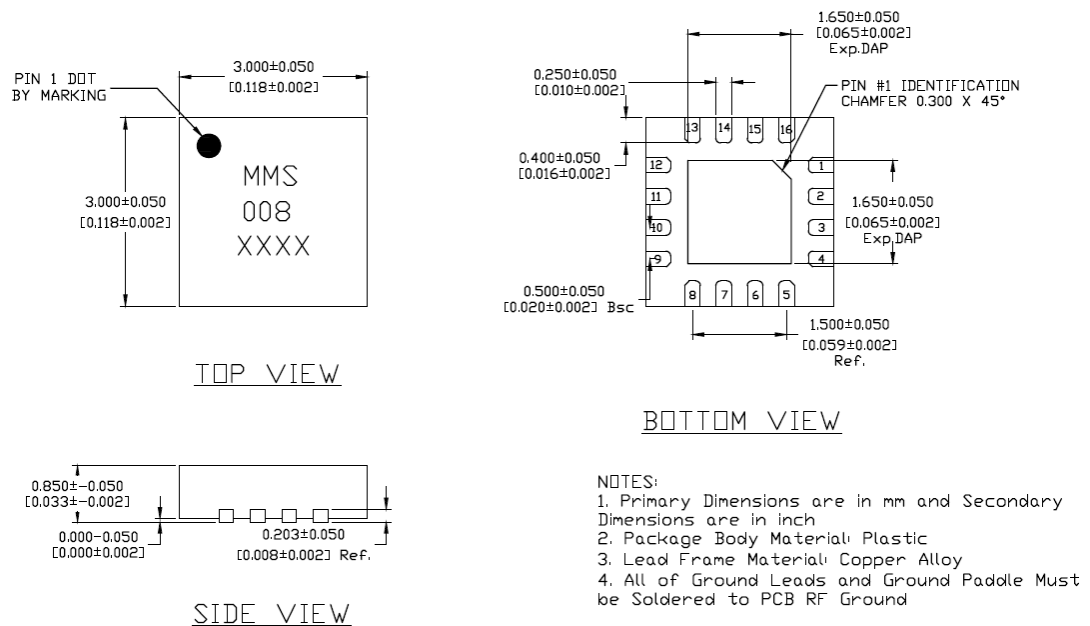
4 Package Outline Drawing, Package Information, and Pin Descriptions

This section details the package details of the MMS008PP3 device.

4.1 Package Outline

The following illustration shows the package outline of the MMS008PP3 device. Dimensions are in millimeters [inches].

Figure 8 • Package Outline



4.2 Package Information

The following table lists the package information for the MMS008PP3 device. Contact your Microsemi sales representative for additional packaging information.

Table 6 • Package Information

Part Number	Package body Material	Lead Finish	MSL Rating	Package Marking
MMS008PP3	Low-stress injection molded plastic	100% matte Sn	TBD	MMS 008 wwyy

4.3 Pin Descriptions

The following table lists the pin descriptions for the MMS008PP3 device.

Table 7 • Pin Description Information

Pin Number	Pin Name	Description
1, 4, 9, 12, 15	RF4, RF3, RF2, RF1, RFC	These pins are DC-coupled and matched to 50 Ω. DC-blocking capacitors are required if RF line potentials are not equal to 0 V.
2, 3, 5, 10, 11, 13, 14, 16	GND	Package bottom has exposed metal paddle that must be connected to PCB RF ground.
6	VEE	DC voltage supply: –5.0 VDC ±10%.
7	CTLB	See Switch Control Truth table (see page 6) and Digital Control Voltage table (see page 6) .
8	CTLA	See Switch Control Truth table (see page 6) and Digital Control Voltage table (see page 6) .
Backside Paddle	RF/DC GND	RF/DC ground.

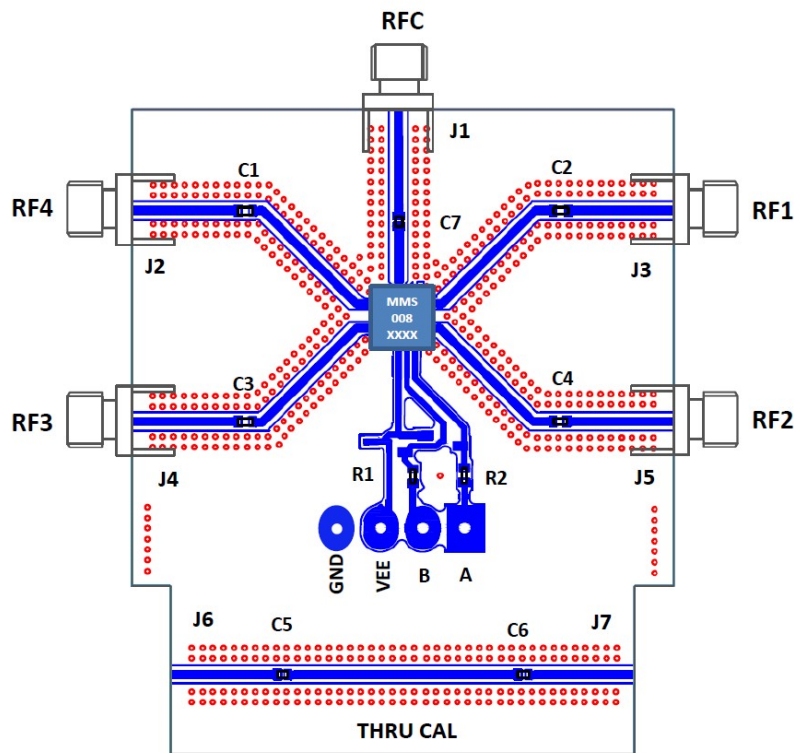
5 Handling Recommendations

Gallium arsenide integrated circuits are sensitive to electrostatic discharge (ESD) and can be damaged by static electricity. It is recommended to follow all procedures and guidelines outlined in the Microsemi application note [AN01 GaAs MMIC Handling and Die Attach Recommendations](#).

6 Evaluation Board Information

The following image shows the evaluation board of the MMS008PP3 device.

Figure 9 • Evaluation Board



The circuit board used in the application should be generated with proper RF circuit design techniques. Signal lines at the RF port should have 50 Ω impedance, and the package ground leads and backside ground paddle should be connected directly to the ground plane similar to the previous image.

The following table lists the list of materials for the evaluation PCB MMS008PP3E.

Table 8 • Materials for Evaluation PCB MMS008PP3E

Item	Description
J1-J5	PCB mount SMA RF connector
A (CTLA), B (CTLB), VEE, GND	DC control pin
C1–C7	Zero ohm resistor, 0402package [3]
R1, R2	Zero ohm resistor, 0402 package
U1	MMS008PP3
PCB [1]	Evaluation PCB 1.29 inches \times 1.55 inches

7 Ordering Information

The following table lists the ordering information for the MMS008PP3 device and for the MMS008PP3E evaluation PCB.

Table 9 • Ordering Information

Part Number	Package
MMS008PP3	3 mm × 3 mm plastic QFN package
MMS008PP3E	Evaluation board for MMS008PP3

**Microsemi Corporate Headquarters**

One Enterprise, Aliso Viejo,
 CA 92656 USA
 Within the USA: +1 (800) 713-4113
 Outside the USA: +1 (949) 380-6100
 Fax: +1 (949) 215-4996
 Email: sales.support@microsemi.com
www.microsemi.com

© 2017 Microsemi Corporation. All rights reserved. Microsemi and the Microsemi logo are trademarks of Microsemi Corporation. All other trademarks and service marks are the property of their respective owners.

Microsemi makes no warranty, representation, or guarantee regarding the information contained herein or the suitability of its products and services for any particular purpose, nor does Microsemi assume any liability whatsoever arising out of the application or use of any product or circuit. The products sold hereunder and any other products sold by Microsemi have been subject to limited testing and should not be used in conjunction with mission-critical equipment or applications. Any performance specifications are believed to be reliable but are not verified, and Buyer must conduct and complete all performance and other testing of the products, alone and together with, or installed in, any end-products. Buyer shall not rely on any data and performance specifications or parameters provided by Microsemi. It is the Buyer's responsibility to independently determine suitability of any products and to test and verify the same. The information provided by Microsemi hereunder is provided "as is, where is" and with all faults, and the entire risk associated with such information is entirely with the Buyer. Microsemi does not grant, explicitly or implicitly, to any party any patent rights, licenses, or any other IP rights, whether with regard to such information itself or anything described by such information. Information provided in this document is proprietary to Microsemi, and Microsemi reserves the right to make any changes to the information in this document or to any products and services at any time without notice.

Microsemi Corporation (Nasdaq: MSCC) offers a comprehensive portfolio of semiconductor and system solutions for aerospace & defense, communications, data center and industrial markets. Products include high-performance and radiation-hardened analog mixed-signal integrated circuits, FPGAs, SoCs and ASICs; power management products; timing and synchronization devices and precise time solutions, setting the world's standard for time; voice processing devices; RF solutions; discrete components; enterprise storage and communication solutions; security technologies and scalable anti-tamper products; Ethernet solutions; Power-over-Ethernet ICs and midspans; as well as custom design capabilities and services. Microsemi is headquartered in Aliso Viejo, California, and has approximately 4,800 employees globally. Learn more at www.microsemi.com.