

1214GN-120E/EL/EP Datasheet
120W L-Band Radar GaN Power Transistor and
Pallet Amplifier



Microsemi makes no warranty, representation, or guarantee regarding the information contained herein or the suitability of its products and services for any particular purpose, nor does Microsemi assume any liability whatsoever arising out of the application or use of any product or circuit. The products sold hereunder and any other products sold by Microsemi have been subject to limited testing and should not be used in conjunction with mission-critical equipment or applications. Any performance specifications are believed to be reliable but are not verified, and Buyer must conduct and complete all performance and other testing of the products, alone and together with, or installed in, any end-products. Buyer shall not rely on any data and performance specifications or parameters provided by Microsemi. It is the Buyer's responsibility to independently determine suitability of any products and to test and verify the same. The information provided by Microsemi hereunder is provided "as is, where is" and with all faults, and the entire risk associated with such information is entirely with the Buyer. Microsemi does not grant, explicitly or implicitly, to any party any patent rights, licenses, or any other IP rights, whether with regard to such information itself or anything described by such information. Information provided in this document is proprietary to Microsemi, and Microsemi reserves the right to make any changes to the information in this document or to any products and services at any time without notice.



Microsemi Corporate Headquarters
 One Enterprise, Aliso Viejo,
 CA 92656 USA
 Within the USA: +1 (800) 713-4113
 Outside the USA: +1 (949) 380-6100
 Sales: +1 (949) 380-6136
 Fax: +1 (949) 215-4996
 E-mail: sales.support@microsemi.com
www.microsemi.com

About Microsemi

Microsemi Corporation (Nasdaq: MSCC) offers a comprehensive portfolio of semiconductor and system solutions for communications, defense & security, aerospace and industrial markets. Products include high-performance and radiation-hardened analog mixed-signal integrated circuits, FPGAs, SoCs and ASICs; power management products; timing and synchronization devices and precise time solutions, setting the world's standard for time; voice processing devices; RF solutions; discrete components; enterprise storage and communication solutions, security technologies and scalable anti-tamper products; Ethernet solutions; Power-over-Ethernet ICs and midspans; as well as custom design capabilities and services. Microsemi is headquartered in Aliso Viejo, Calif., and has approximately 4,800 employees globally. Learn more at www.microsemi.com.

©2016 Microsemi Corporation. All rights reserved. Microsemi and the Microsemi logo are registered trademarks of Microsemi Corporation. All other trademarks and service marks are the property of their respective owners.

Revision History

1.1 Revision 1.0

Revision 1.0 was the first publication of this document.

Contents

Revision History.....	3
1.1 Revision 1.0.....	3
2 Product Overview	7
2.1 Applications	7
2.1.1 Key Features	8
3 Electrical Specifications.....	9
3.1 Absolute Maximum Ratings	9
3.2 Electrical Characteristics at 25 °C.....	9
3.3 Functional Characteristics at 25 °C	9
3.4 Typical Broadband Performance Data (300 μS, 10% Pulsing)	10
3.5 Critical Performance at P _{IN} = 4 W (34 dBm)	11
4 Transistor Impedance Information.....	12
5 Transistor Test Information	13
6 Package Outline and Pin Information	14
6.1 55-QQ Common Source Package Dimensions and Pin Information.....	14
6.2 55-QQP Common Source Package Dimensions and Pin Information	15
6.3 Overall Pallet Dimensions	16

List of Figures

Figure 1 Case Outline 55-QQ Common Source (0.160" × 0.550").....	7
Figure 2 Case Outline 55-QQP Common Source (0.160" × 0.230").....	7
Figure 3 Pallet Outline 50 Ω IN/OUT (0.600" × 1.200" × 0.150")	7
Figure 4 Typical Broadband Performance Data Graphs.....	10
Figure 5 Impedance Definition.....	12
Figure 6 55-QQ Package Dimensions and Pin Information	14
Figure 7 55-QQP Package Dimensions and Pin Information	15
Figure 8 Pallet Package Dimensions	16

List of Tables

Table 1	Absolute Maximum Ratings	9
Table 2	Typical Electrical Characteristics at 25 °C.....	9
Table 3	Typical Functional Characteristics at 25 °C.....	9
Table 4	Typical Broadband Performance Data (300 μS, 10% Pulsing)	10
Table 5	Critical Performance at $P_{IN} = 4\text{ W}$ (34 dBm)	11
Table 6	55-QQ Package Dimensions	14
Table 7	55-QQP Package Dimensions	15

2 Product Overview

The 1214GN-120E/EL/EP is an internally matched, common source, Class AB, GaN on SiC HEMT transistor capable of providing over 17 dB typical power gain, 120 W of pulsed RF output power under 300 μ S pulse width and 10% long term duty cycle pulsing across the 1200 to 1400 MHz band. The transistor has internal pre-match for optimal performance. This hermetically sealed transistor is available in two package types, as well as mounted on a compact footprint 50 Ω IN/OUT pallet, and is specifically designed for L-band pulsed primary radar applications. It utilizes gold metallization and eutectic die attach to provide the highest reliability and superior ruggedness. Export Classification: EAR-99.

Figure 1 Case Outline 55-QQ Common Source (0.160" \times 0.550")



Figure 2 Case Outline 55-QQP Common Source (0.160" \times 0.230")

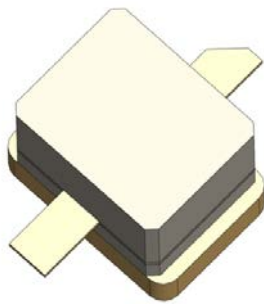
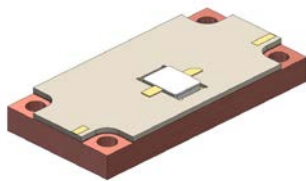


Figure 3 Pallet Outline 50 Ω IN/OUT (0.600" \times 1.200" \times 0.150")



2.1 Applications

The 1214GN-120E and 1214GN-120EL transistors and the 1214GN-120EP pallet are specifically designed for L-band pulsed primary radar applications.

2.1.1 Key Features

The following are the key features of the 1214GN-120E/EL/EP E-Series Earless/Eared GaN transistor products:

- 1200–1400 MHz, 120 W pulsed output power, 300 μ S 10% pulsing
- Common source, Class AB, 50 V bias voltage
- High efficiency: >60% typical across the frequency band
- Extremely compact size
- High power gain: >16.8 dB
- Excellent gain flatness
- Ideal for radar, L-Band avionics, communications, and industrial applications
- Utilizes all-gold metallization and eutectic die attach for highest reliability
- 50 Ω IN/OUT lumped element, very small footprint, plug-and-play pallets available

3 Electrical Specifications

3.1 Absolute Maximum Ratings

The following table shows the absolute maximum ratings at 25 °C unless otherwise specified.

Table 1 Absolute Maximum Ratings

Rating		Value	Units
Maximum power dissipation	Device dissipation at 25 °C	265	W
Maximum voltage and current	Drain-Source voltage (V_{DS})	125	V
	Gate-Source voltage (V_{GS})	-8 to 0	V
Maximum temperatures	Storage temperature (T_{STG})	-55 to 125	°C
	Operating junction temperature	200	°C

3.2 Electrical Characteristics at 25 °C

The following table shows the typical electrical characteristics at 25 °C

Table 2 Typical Electrical Characteristics at 25 °C

Symbol	Characteristics	Test Conditions	Min	Typ	Max	Units
P_{OUT}	Output power	$P_{IN} = 2.5$ W, Freq = 1200, 1300, 1400 MHz	120	130		W
G_P	Power gain	$P_{IN} = 2.5$ W, Freq = 1200, 1300, 1400 MHz	16.8	17.16		dB
η_D	Drain efficiency	$P_{IN} = 2.5$ W, Freq = 1200, 1300, 1400 MHz	57	65		%
D_r	Droop	$P_{IN} = 2.5$ W, Freq = 1200, 1300, 1400 MHz		0.15	0.6	dB
VSWR-T	Load mismatch tolerance	$P_{IN} = 2.5$ W, Freq = 1500 MHz, 100 μ S-10%			5:1	
Θ_{JC}	Junction-Case thermal resistance	300 μ S, 10% duty cycle			1.25	°C/W

Bias Condition: $V_{DD} = 50$ V, $I_{DQ} = 30$ mA constant current ($V_{GS} = -2.0$ to -4.5 V typical)

3.3 Functional Characteristics at 25 °C

Table 3 Typical Functional Characteristics at 25 °C

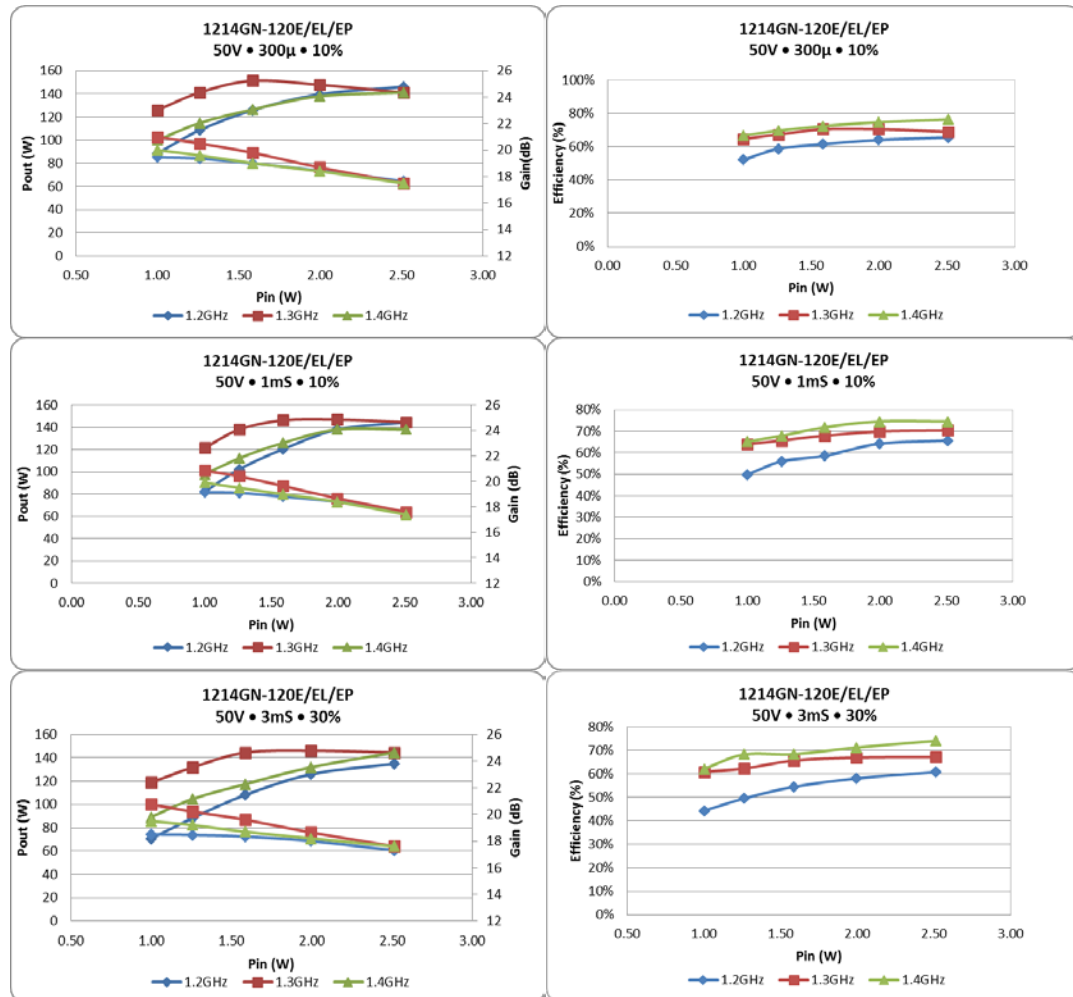
Symbol	Characteristic	Test Conditions	Min	Typ	Max	Units
$I_{D(off)}$	Drain leakage current	$V_{GS} = -8$ V, $V_D = 125$ V			12	mA
$I_{G(off)}$	Gate leakage current	$V_{GS} = -8$ V, $V_D = 0$ V			4	mA

3.4 Typical Broadband Performance Data (300 μ S, 10% Pulsing)

Table 4 Typical Broadband Performance Data (300 μ S, 10% Pulsing)

Frequency	P _{IN} (W)	P _{OUT} (W)	I _D (mA)	IRL (dB)	η_D (%)	G _P (dB)	Drop (dB)
1200 MHz	2.5	146	477	-7.0	65	17.65	0.15
1300 MHz	2.5	141	440	-10.0	69	17.50	0.15
1400 MHz	2.5	141	400	-8.5	76	17.50	0.14

Figure 4 Typical Broadband Performance Data Graphs



3.5 Critical Performance at $P_{IN} = 4\text{ W}$ (34 dBm)

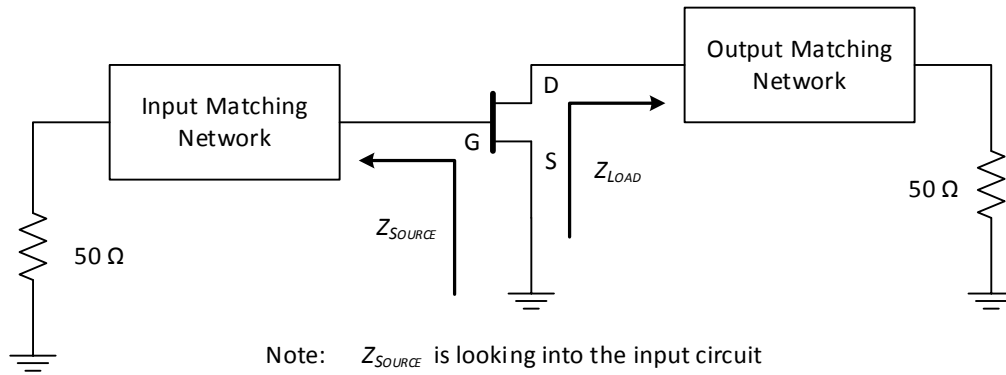
Table 5 Critical Performance at $P_{IN} = 4\text{ W}$ (34 dBm)

Freq (GHz)	Test Condition	P_{OUT} (W)	G_P (dB)	η_D (%)	Droop (dB)
1.2	300 μ S – 10%	146	17.65	65	0.15
1.2	1 mS – 10%	144	17.60	66	0.25
1.2	3 mS – 30%	135	17.30	61	0.60
1.3	300 μ S – 10%	141	17.50	69	0.15
1.3	1 mS – 10%	144	17.60	70	0.25
1.3	3 mS – 30%	143	17.60	67	0.40
1.4	300 μ S – 10%	141	17.50	76	0.15
1.4	1 mS – 10%	138	17.40	75	0.25
1.4	3 mS – 30%	144	17.60	74	0.40

4 Transistor Impedance Information

The following diagram shows the transistor impedance information for 1214GN-120E/EL/EP.

Figure 5 Impedance Definition



Note: Z_{SOURCE} is looking into the input circuit
 Z_{LOAD} is looking into the output circuit

For information about source and load impedances for 1214GN-120E/EL/EP, contact your Microsemi representative.

5 Transistor Test Information

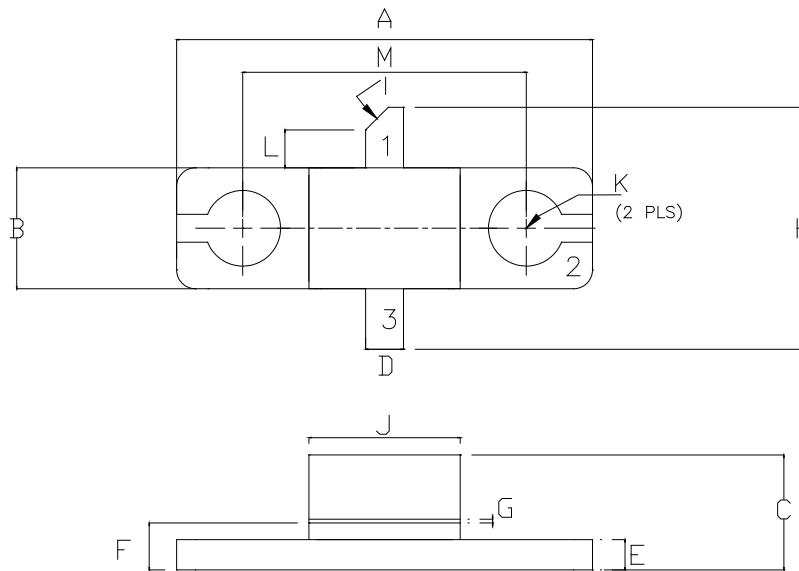
For the latest transistor test information for 1214GN-120E/EL/EP, contact your Microsemi representative.

6 Package Outline and Pin Information

The 1214GN-120E transistor is available in the 55-QQP case outline and the 1214GN-120EL transistor is available in the 55-QQP case outline. The 1214GN-120EP is available in the 90-1214GN-120EP pallet outline. All three products are configured for common source operation.

6.1 55-QQ Common Source Package Dimensions and Pin Information

Figure 6 55-QQ Package Dimensions and Pin Information



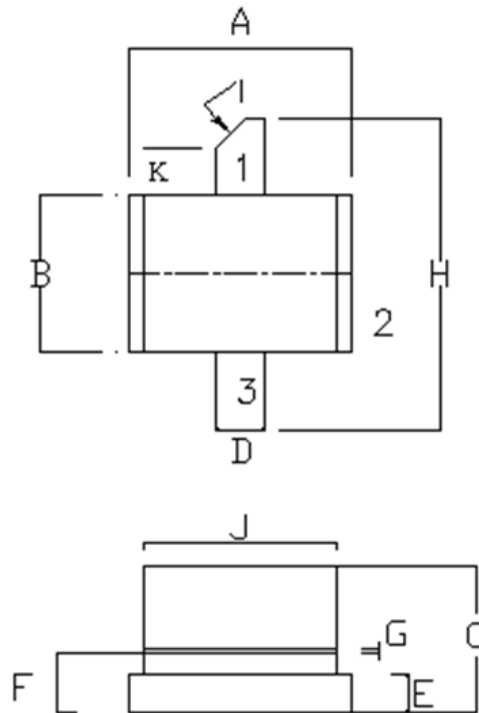
Pin 1: Drain, Pin 2: Source, Pin 3: Gate

Table 6 55-QQ Package Dimensions

Dim	Millimeters	Tol (mm)	Inches	Tol (in.)
A	13.970	0.250	0.550	0.010
B	4.570	0.250	0.160	0.010
C	3.860	0.330	0.152	0.013
D	1.270	0.130	0.050	0.005
E	1.020	0.130	0.040	0.005
F	1.700	0.130	0.067	0.005
G	0.130	0.025	0.005	0.001
H	8.130	0.250	0.320	0.010
I	45°	5°	45°	5°
J	5.080	0.250	0.200	0.010
K	2.54 DIA	0.130	0.100 DIA	0.005
L	1.270	0.130	0.050	0.005
M	9.530	0.130	0.375	0.005

6.2 55-QQP Common Source Package Dimensions and Pin Information

Figure 7 55-QQP Package Dimensions and Pin Information



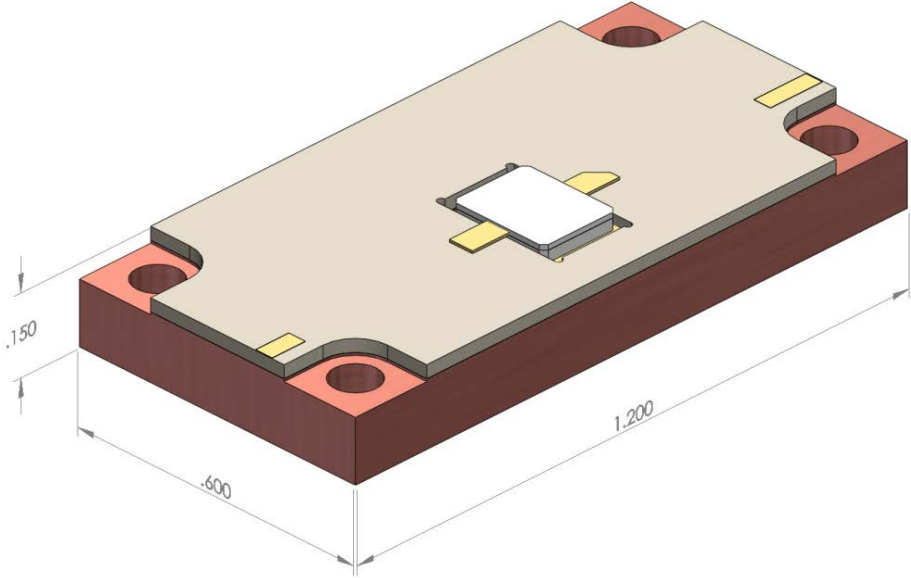
Pin 1: Drain, Pin 2: Source, Pin 3: Gate

Table 7 55-QQP Package Dimensions

Dim	Millimeters	Tol (mm)	Inches	Tol (in.)
A	5.840	0.250	0.230	0.010
B	4.060	0.250	0.160	0.010
C	3.170	0.050	0.125	0.002
D	1.270	0.130	0.050	0.005
E	1.020	0.130	0.040	0.005
F	1.570	0.130	0.062	0.005
G	0.130	0.020	0.005	0.001
H	8.120	0.250	0.320	0.010
I	45°	5°	45°	5°
J	5.080	0.250	0.200	0.010
K	1.400	0.130	0.055	0.005

6.3 Overall Pallet Dimensions

Figure 8 Pallet Package Dimensions



Dimensions 1.200" × 0.600" × 0.150"