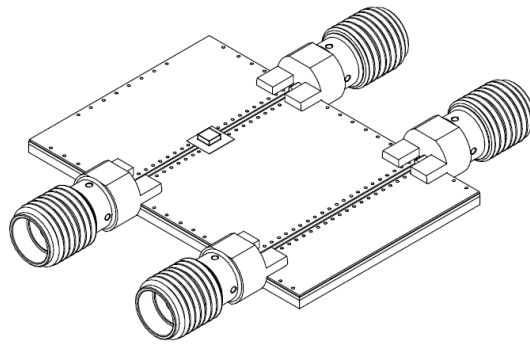
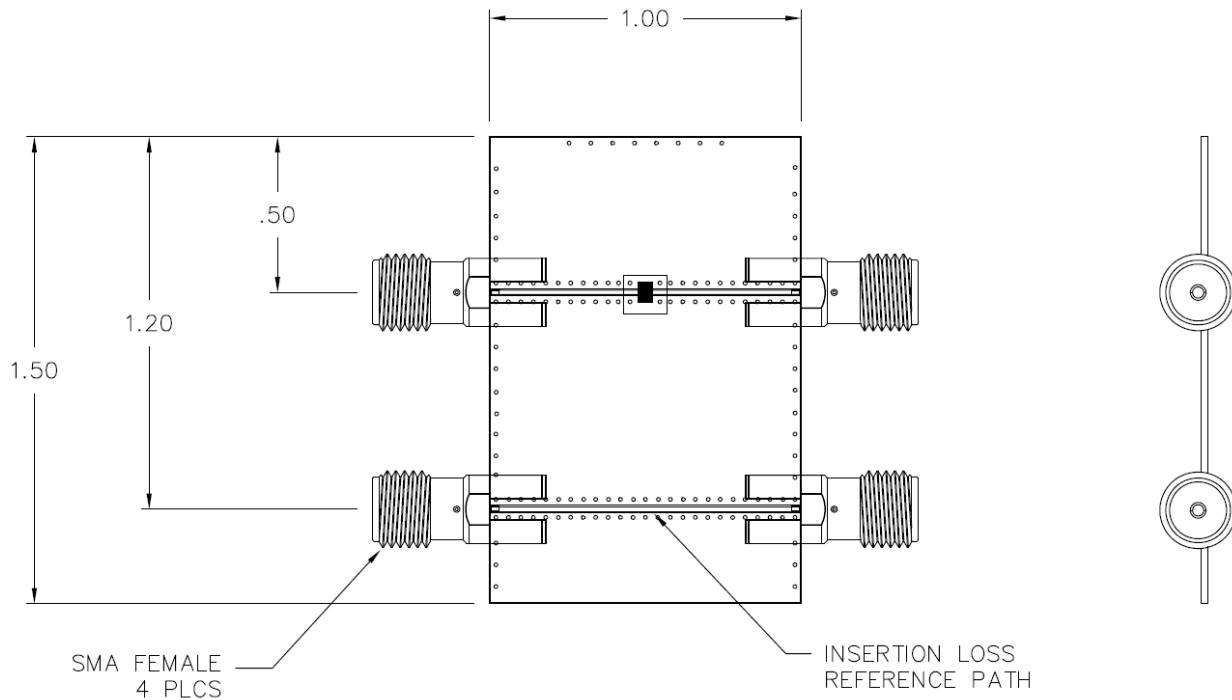


EVALUATION BOARD ASSEMBLY



NOTES:

1. **Material:** .016 Rogers 4003, 1/2 Oz Copper, cladding both sides starting thickness.
2. **Full metal backside.**
3. **Finish:** Enig (Gold Immersion), both sides.
4. **Solder mask topside only.**
5. **Units are in inches.**