



POWER MANAGEMENT GROUP  
14930 East Alondra Blvd, La Mirada, CA 90638-5752  
TEL: (714) 994-6500 FAX: (714)994-3013

BR250-S0105

## General

**Contact Arrangement:** 1PDT (1 Form C)

**Weight:** 1.6 oz approx.

## Performance

### Contact Rating:

**Resistive:** 25 Amps @ 28 VDC

**Inductive:**

- 10 Amps @ 28 VDC

**Motor:**

- 10 Amps @ 28 VDC

**Lamp:**

- 5 Amps @ 28 VDC

**Life:** 20,000 operations minimum @ rated resistive load, 220°C

**Pull In Power:** 500 mw approx.

### Operate/Release Time:

Excluding bounce time at nominal coil voltage

**DC Coil:** 15 ms max

**Contact Bounce Time:** 1 ms max @ rated contact load, 28 VDC

### Contact Voltage Drop:

**Before Life:** 150 mv max @ 25 Amps and 6 VDC

**After Life:** 175 mv max @ 25 Amps and 6 VDC

## Environmental

**Temperature Range:** -40°C to +220°C

**Vibration:** 0.12" DA 10 - 70 Hz, 30 G's 70 - 3,000 Hz

**Shock (Operating):** 200 G's 6 ms

*Note: Only online copies of this document are controlled. Printed copies are for reference purposes.*

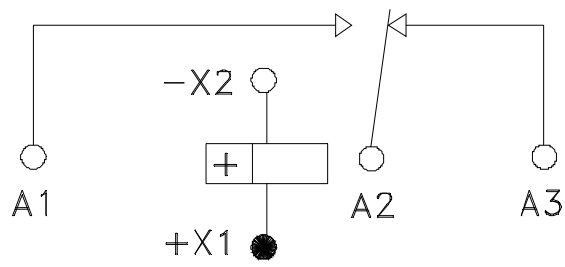
**Electrical Characteristics**

**Duty Cycle:** Continuous  
**Insulation Resistance:** 100 megohms @ 500V 25°C  
**Dielectric Strength:**  
     **Sea Level:**  
         **Contact to Case** 1,250 VRMS  
         **Contact to Coil** 1,250 VRMS  
         **Coil to Case** 1,000 VRMS  
         **Across Open Contacts** 1,250 VRMS  
     **80,000 Feet:**  
         **All Points** 350 VRMS

	Nominal Coil Voltage	Maximum Coil Voltage	Pull In Voltage (Max @ +220°C)	Drop Out Voltage (Max)	Coil Resistance ±10% @ 25°C
BR250-S0104	28 VDC	29 VDC	24VDC	7.5 VDC	320 OHMS

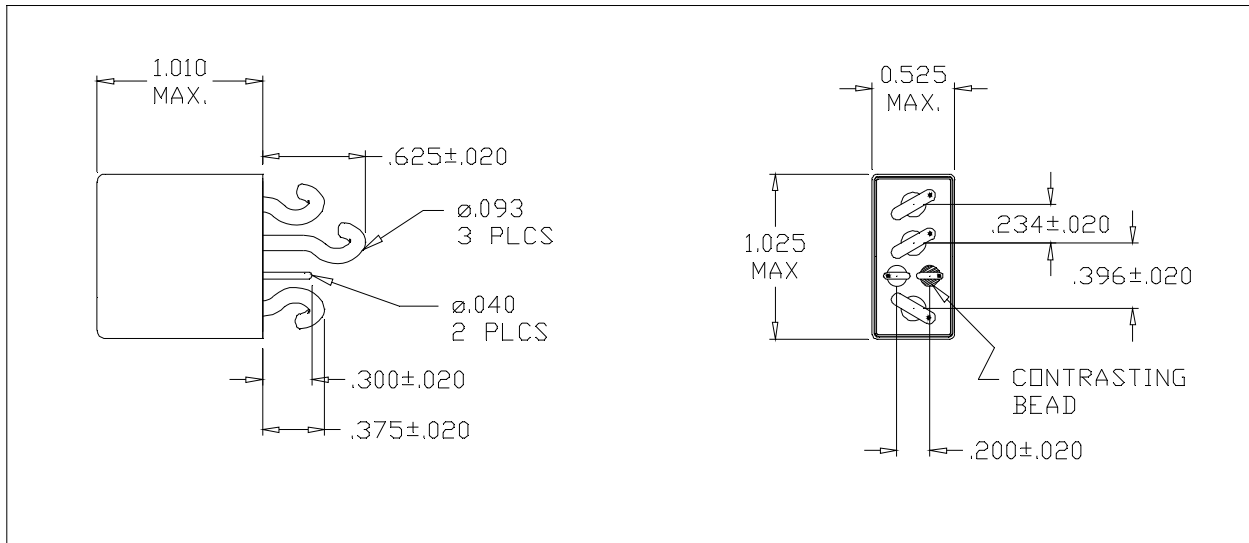
**Schematic Terminal Views**

Numbers for reference only.



CIRCUIT

*Note: Only online copies of this document are controlled. Printed copies are for reference purposes.*

**General Notes**

- Unless otherwise specified, all tests made at nominal coil voltages, @ 25°C.
- Unless otherwise specified, tolerances on decimal dimensions are  $\pm .010$ ".
- Specifications contained herein are subject to change without notice.