

TE1BD Bias Board

TE1BD is a bias board for Microsemi dual drivers and modules, providing easy control over four pairs of gate and drain voltages.

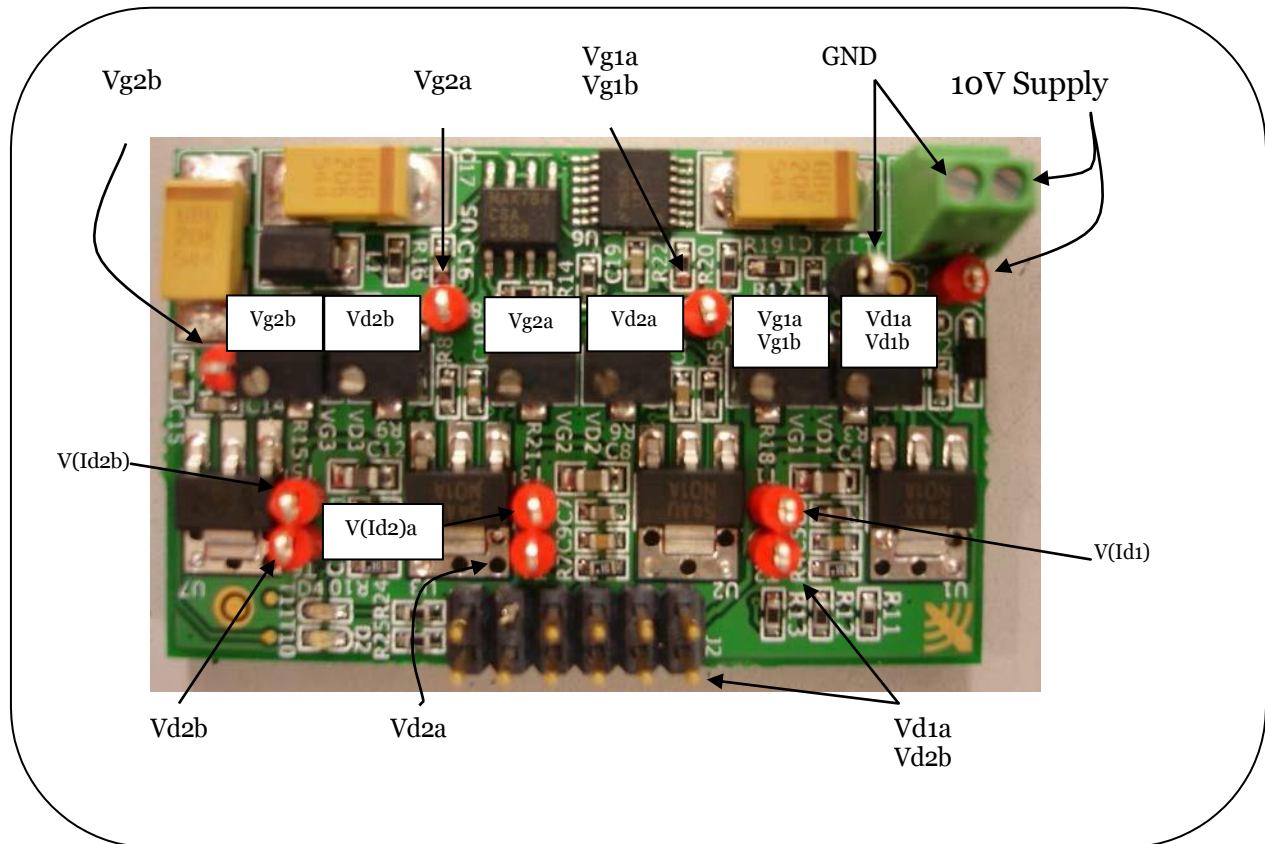


Figure 1. TE1BD Bias Board

Application Notes:

1. Test points for gate and drain voltages are labeled as Vg1a, Vg1b, Vg2a, Vg2b and Vd1a, Vd1b, Vd2a, Vd2b.
2. Drain current can be measured over two test points denoted by Id's. There is 0.1 Ohm resistor in between these two test points. (i.e. $I_d = (V_d - V(i_d)) / 0.1$)



Microsemi Corporate Headquarters
One Enterprise, Aliso Viejo CA 92656 USA
Within the USA: +1 (800) 713-4113
Outside the USA: +1 (949) 380-6100
Sales: +1 (949) 380-6136
Fax: +1 (949) 215-4996
E-mail: sales.support@microsemi.com

Microsemi Corporation (Nasdaq: MSCC) offers a comprehensive portfolio of semiconductor and system solutions for communications, defense and security, aerospace, and industrial markets. Products include high-performance and radiation-hardened analog mixed-signal integrated circuits, FPGAs, SoCs, and ASICs; power management products; timing and synchronization devices and precise time solutions, setting the world's standard for time; voice processing devices; RF solutions; discrete components; security technologies and scalable anti-tamper products; Power-over-Ethernet ICs and midspans; as well as custom design capabilities and services. Microsemi is headquartered in Aliso Viejo, Calif. and has approximately 3,400 employees globally. Learn more at www.microsemi.com.

© 2014 Microsemi Corporation. All rights reserved. Microsemi and the Microsemi logo are trademarks of Microsemi Corporation. All other trademarks and service marks are the property of their respective owners.