

Remote Power Controllers Up to 200 Amps • Form X Magnetic Latching For AC and DC applications

SPECIFICATIONS

GENERAL

Contact ArrangementSPST (1 Form X)
Weight..... 15 oz max.
 Designed to meet the requirements of MIL-C-83383

PERFORMANCE

Contact Ratings (Note 1):

Power Contacts:

All loads..... Up to 200 Amps @ 28 VDC or
 115/208V 400 Hz

Current Trip Points..... Trip Time
 1000% of Rated Current 1.0 Sec. max.
 400% of Rated Current..... 10.0 Sec. max.
 200% of Rated Current..... 60.0 Sec. max.
 138% of Rated Current..... 1.0 Hour max.
 Up to 115% of Rated Current..... No Trip

Tolerances:

Current±10%
 Time±10%

Auxiliary Contacts:

Configuration..... SPDT
 Current Rating5 Amps @ 28 VDC

Life50,000 cycles @ rated Res. and Ind. load
 25,000 cycles @ rated Motor load
 100,000 cycles mechanical

Rupture (main contacts) 3600 Amperes

Response Time: 12 ms nom.

Contact Bounce Time..... 2 ms max
 @ rated contact load, 115 VAC

Contact Voltage Drop:

Initial225 mv @ Rated Current
 End of Life250 mv @ Rated Current

Operating Voltage:

Nominal AC Voltage 104 to 122 VAC
 Nominal DC Voltage..... 18 to 32 VDC

ENVIRONMENTAL

Temperature Range..... -54°C to +71°C
Vibration (Note 2)..... 10 G'S 50 - 2000 Hz
Shock (Operating)(Note 2) 25 G's 11 ms
Acceleration 15 G

ELECTRICAL CHARACTERISTICS

Duty Cycle..... Intermittent
Insulation Resistance 100 megohms
 @ 500V 25°C

Dielectric Strength:

Sea Level:
 Contact to Case 1,500 VRMS
 Contact to Coil 1,500 VRMS
 Coil to Case 1,500 VRMS
 Across Open Contacts 1,350 VRMS
 50,000 Feet:
 All Points 500 VRMS

NOTES:

- For other ratings or calibrations consult the factory.
- For applications requiring higher shock and vibration, consult the factory.

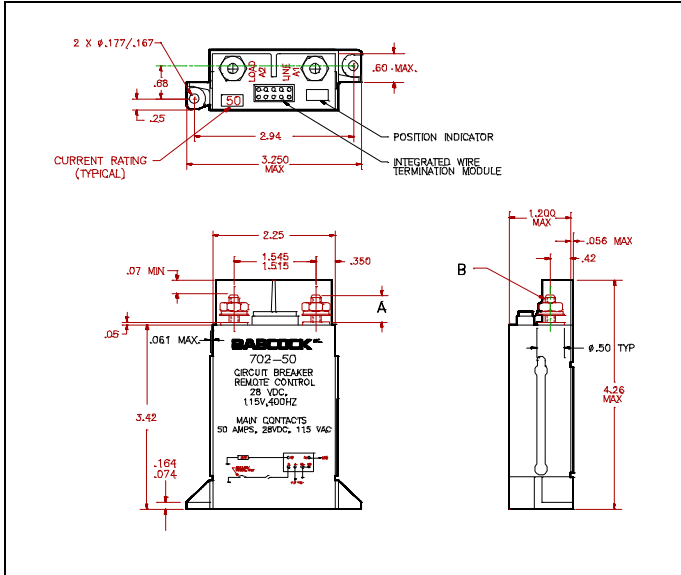
The 702 Remote Power Controllers are designed to sense the current level flowing through their contacts, and to open the circuit when the current exceeds the specified current rating. These units use our unique magnetic latching motor design to minimize power consumption. These units are fully temperature compensated for accurate operation over the full temperature range.

The 702 circuitry has 1500 watts of Peak Power Dissipation transient suppression built in so it can withstand the rigors of even the noisiest of supply voltages. Utilizing all space age approved materials, the 702 Remote Power Controllers are ideal for demanding applications.

R.P.C. Type
Nominal Current Rating
"A" indicates SPDT Auxiliary switch

702 - 150 A

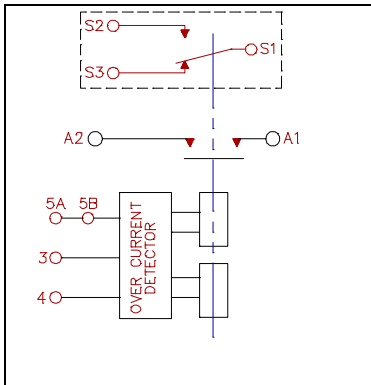
OVERALL DIMENSIONS



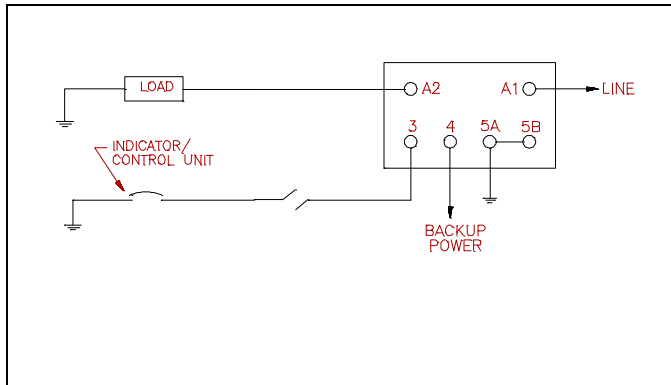
SELECTION TABLE

Catalog Number	Continuous Ampere Contact Rating	Thread "B"	Dimension "A"
702-5()	5	10-32 UNF	.500
702-7.5()	7.5	10-32 UNF	.500
702-10()	10	10-32 UNF	.500
702-15()	15	10-32 UNF	.500
702-20()	20	10-32 UNF	.500
702-25()	25	10-32 UNF	.500
702-35()	35	1/4-28 UNF	.610
702-40()	40	1/4-28 UNF	.610
702-50()	50	1/4-28 UNF	.610
702-60()	60	1/4-28 UNF	.610
702-75()	75	1/4-28 UNF	.610
702-100()	100	1/4-28 UNF	.610
702-125()	125	1/4-28 UNF	.610
702-150()	150	1/4-28 UNF	.610
702-175()	175	1/4-28 UNF	.610
702-200()	200	1/4-28 UNF	.610

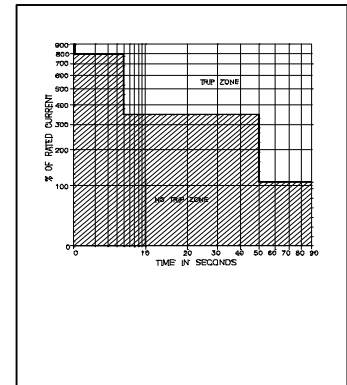
SCHEMATIC



TYPICAL WIRING DIAGRAM



TRIP TIME CURVE



GENERAL NOTES

- Unless otherwise specified, all tests made at nominal coil voltages, @ 25°C.
- For special coil variations, switching configurations, terminals styles and mounting types, consult the factory.
- Unless otherwise specified, tolerances on decimal dimensions are ± .010".
- Specifications contained herein are subject to change without notice.