

IGLOO - Nano Starter Kit

Actel IGLOO NANO FPGA AGLN250V2-VQG100 Starter Kit

Index

- Sheet #01 - Cover Page
- Sheet #02 - Voltage Regulators and Power Headers
- Sheet #03 - Current Measurement Headers
- Sheet #04 - Actel AGLN250V2-VQG100 FPGA
- Sheet #05 - JTAG, Reset, Clock and Flash Freeze
- Sheet #06 - LED, Push Button and DIP Switches
- Sheet #07 - USB-to-UART
- Sheet #08 - GPIO Headers
- Sheet #09 - Manufacturing Points

www.actel.com
Actel Technical Support: +1 (800) 262-1060

Copyright (C) 2008 Actel. All rights reserved.

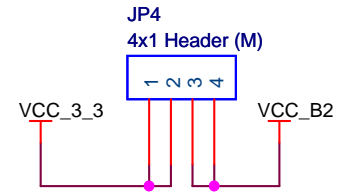
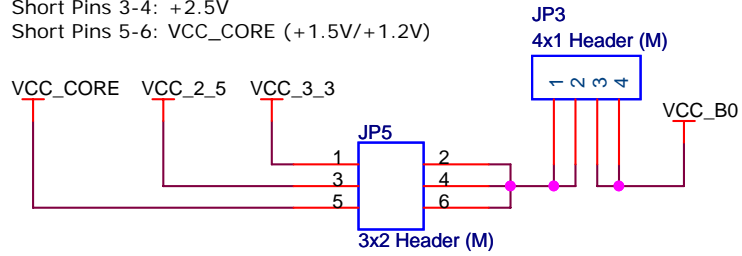
Project Name:	
IGLOO - Nano Starter Kit	
Rev	Part Number:
1B	ACTEL: DVP-102-000272-001 PACTRON: 305-PD-10-XXX
Originator:	
GHURU KUMARAVELU	
Size	Date:
A	Monday, July 12, 2010
Sheet 1 of 9	

Note:

Short Pins 1-2: +3.3V

Short Pins 3-4: +2.5V

Short Pins 5-6: VCC_CORE (+1.5V/+1.2V)

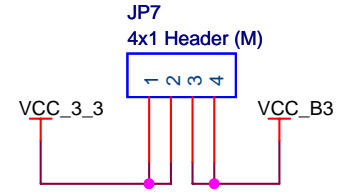
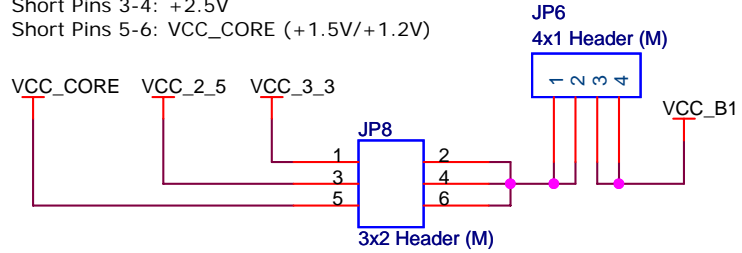


Note:

Short Pins 1-2: +3.3V

Short Pins 3-4: +2.5V

Short Pins 5-6: VCC_CORE (+1.5V/+1.2V)

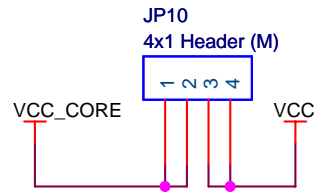
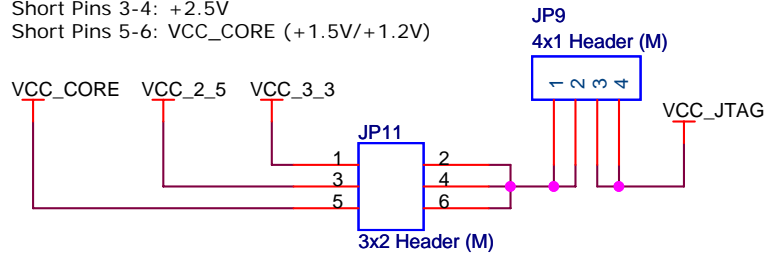


Note:

Short Pins 1-2: +3.3V

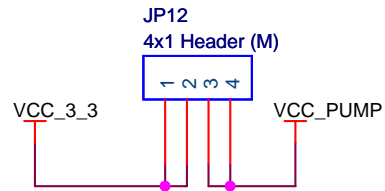
Short Pins 3-4: +2.5V

Short Pins 5-6: VCC_CORE (+1.5V/+1.2V)



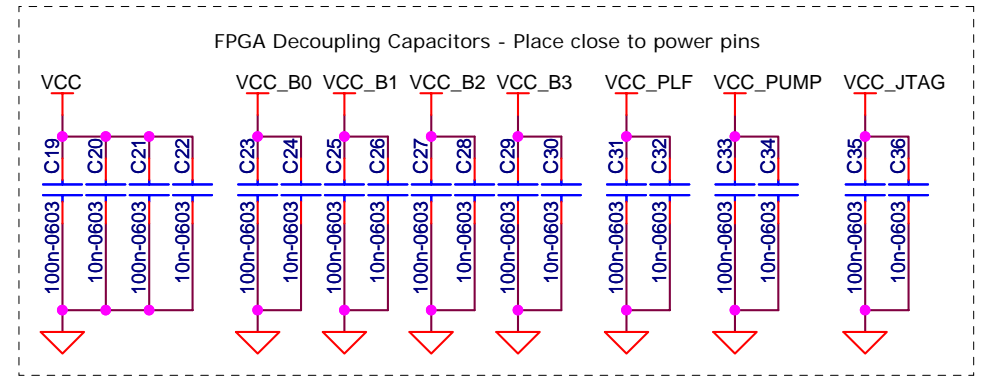
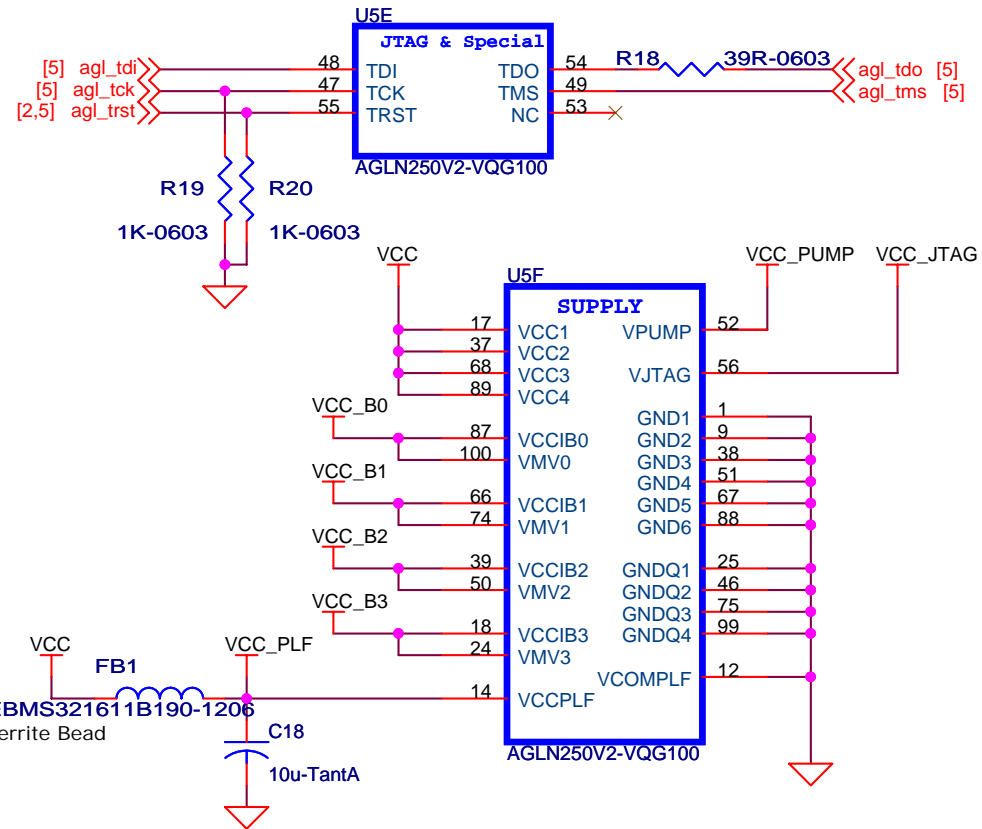
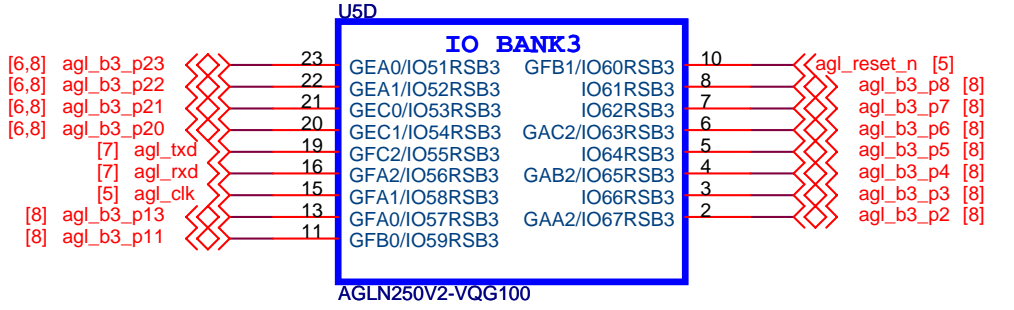
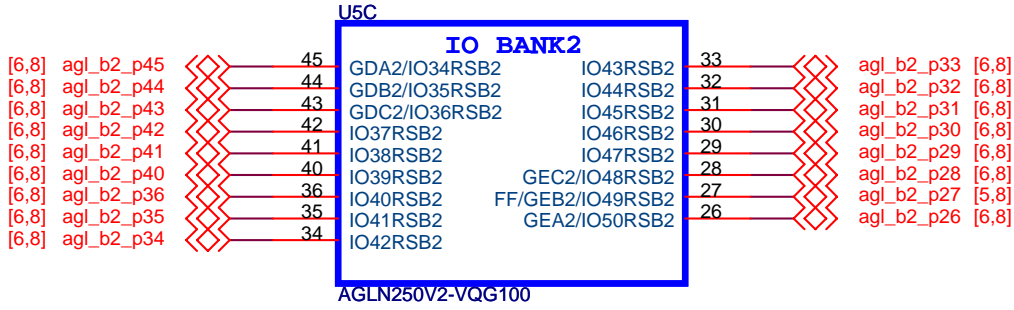
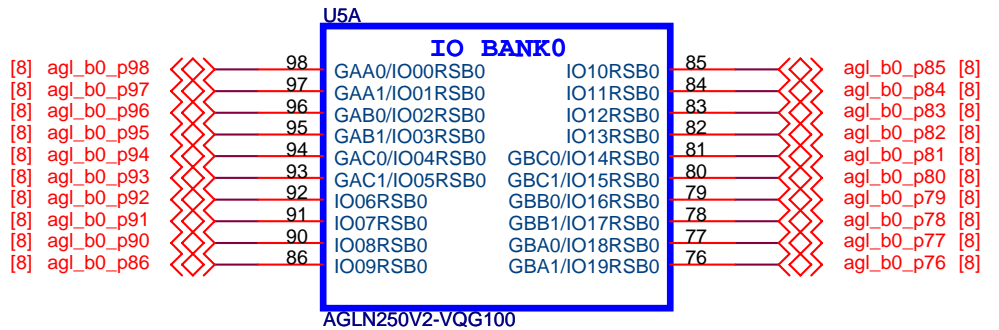
Note:

Current Measurement Jumpers:
Short Pins 2-3 for normal operation.



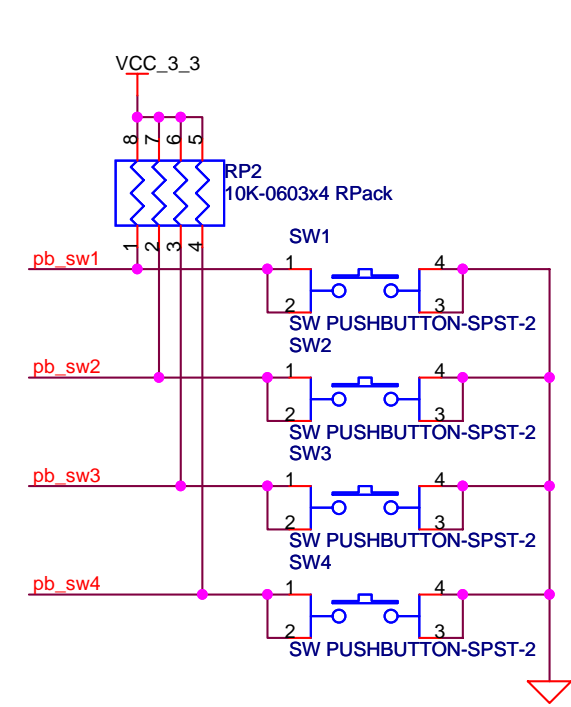
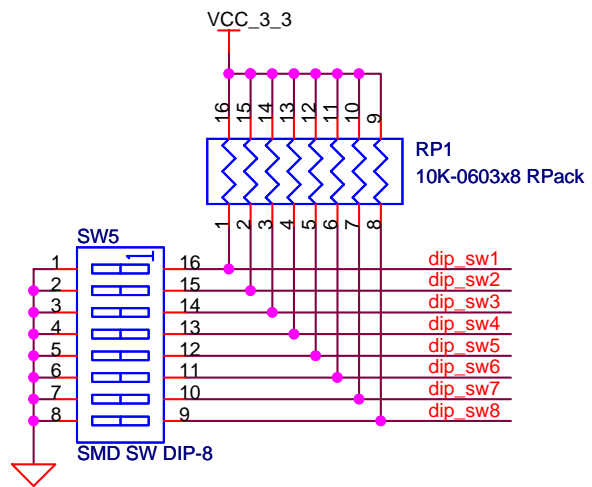
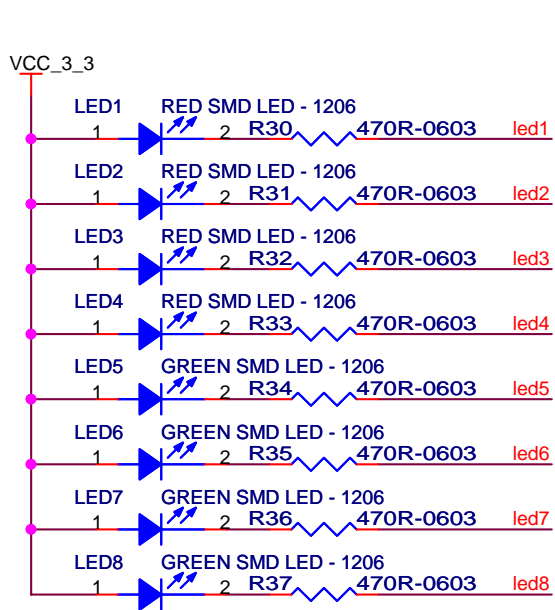
ACTEL

Title		
IGLOO - Nano Starter Kit		
Size A	Document Number Current Measurement Headers	Rev 1B
Date: Monday, July 12, 2010		
Sheet 3 of 9		

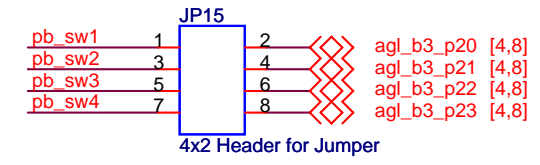
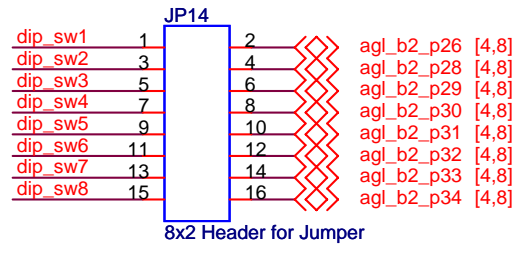
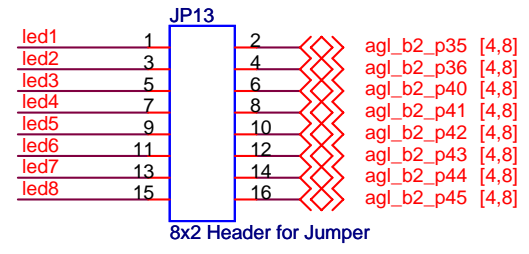


agl_b2_p27 << agl_ff [5,8]

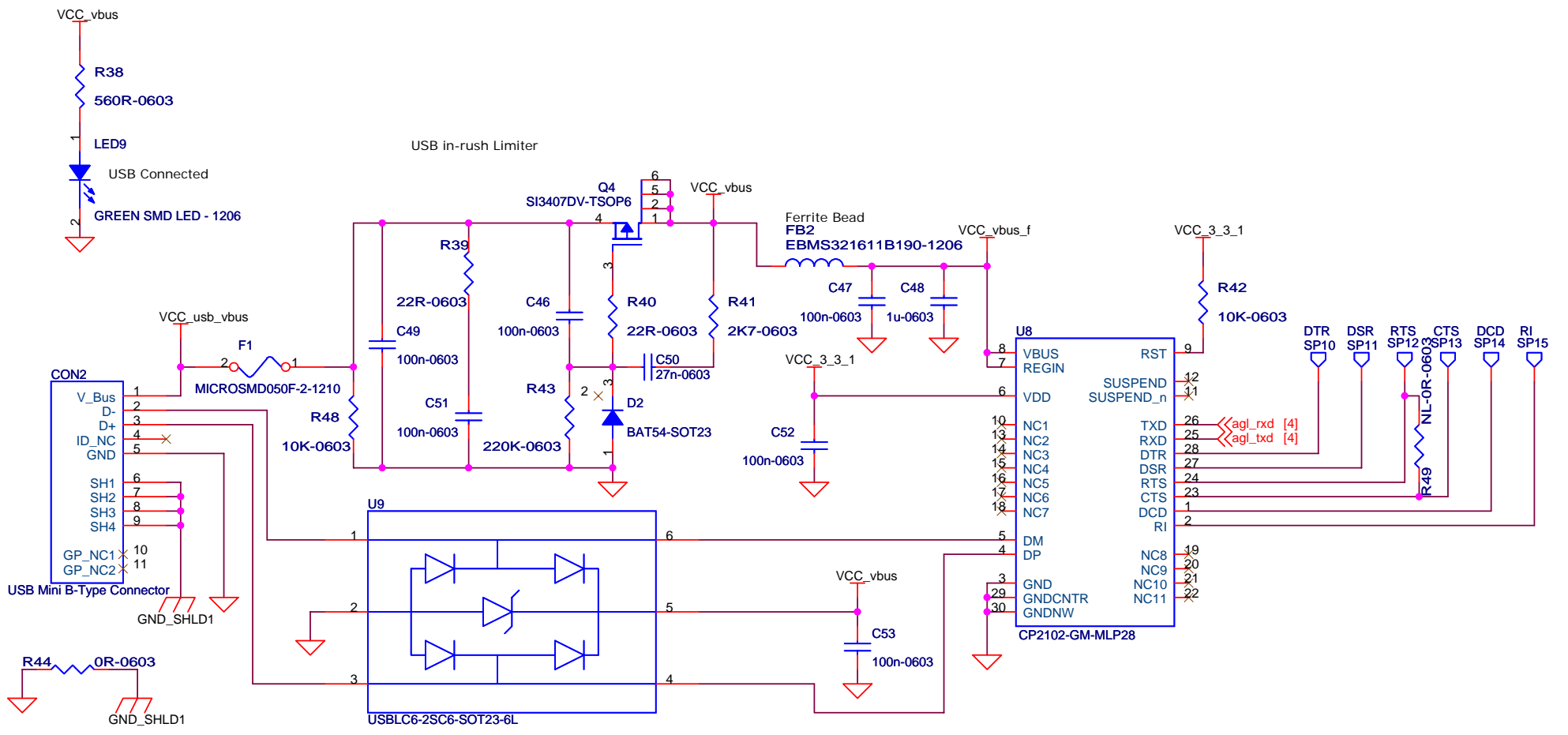
ACTEL			
Title			
IGLOO - Nano Starter Kit			
Size	Document Number		Rev
A	Actel AGLN250V2-VQG100 FPGA		1B
Date:	Monday, July 12, 2010	Sheet	4 of 9



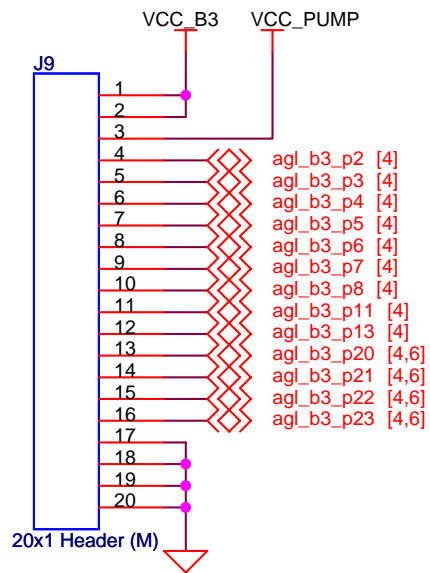
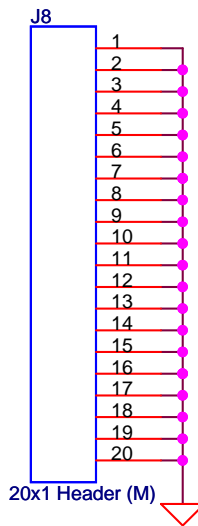
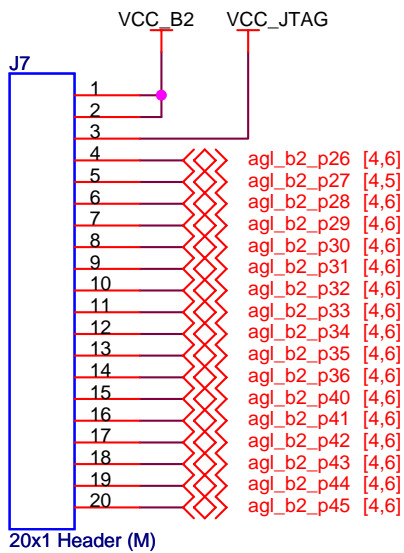
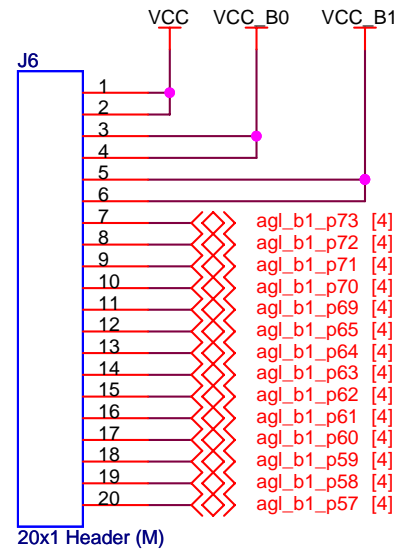
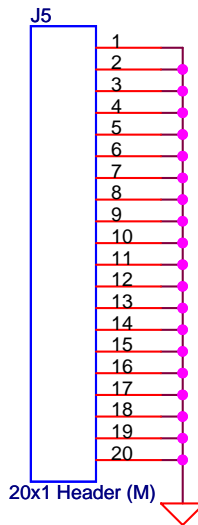
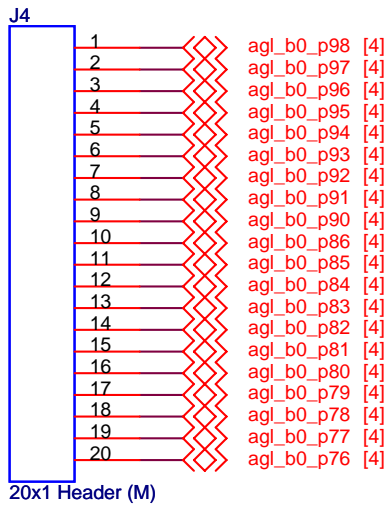
Note:
Remove Jumper from these headers to detach the peripheral from the FPGA IO and use the header IO.



ACTEL		
Title IGLOO - Nano Starter Kit		
Size A	Document Number LED, Push Button and DIP Switches	Rev 1B
Date: Monday, July 12, 2010		Sheet 6 of 9



ACTEL		
Title		
IGLOO - Nano Starter Kit		
Size	Document Number	Rev
Custom	USB-to-UART	1B
Date:	Monday, July 12, 2010	Sheet 7 of 9



ACTEL		
Title IGLOO - Nano Starter Kit		
Size A	Document Number GPIO Headers	Rev 1B
Date: Monday, July 12, 2010 Sheet 8 of 9		

