



RTSX-S RadTolerant FPGAs

Designed for Space

- SEU-Hardened Registers Eliminate the Need to Implement Triple-Module Redundancy (TMR)
 - Immune to Single-Event Upsets (SEU) to $LET_{th} > 40 \text{ MeV-cm}^2/\text{mg}$,
 - SEU Rate $< 10^{-10}$ Upset/Bit-Day in Worst-Case Geosynchronous Orbit
- Up to 100 krad (Si) Total Ionizing Dose (TID)
 - Parametric Performance Supported with Lot-Specific Test Data
- Single-Event Latch-Up (SEL) Immunity
- TM1019.5 Test Data Available
- QML Certified Devices

High Performance

- 230 MHz System Performance
- 310 MHz Internal Performance
- 9.5 ns Input Clock to Output Pad

Specifications

- 0.25 μm Metal-to-Metal Antifuse Process
- 48,000 to 108,000 Available System Gates
- Up to 2,012 SEU-Hardened Flip-Flops
- Up to 360 User-Programmable I/O Pins

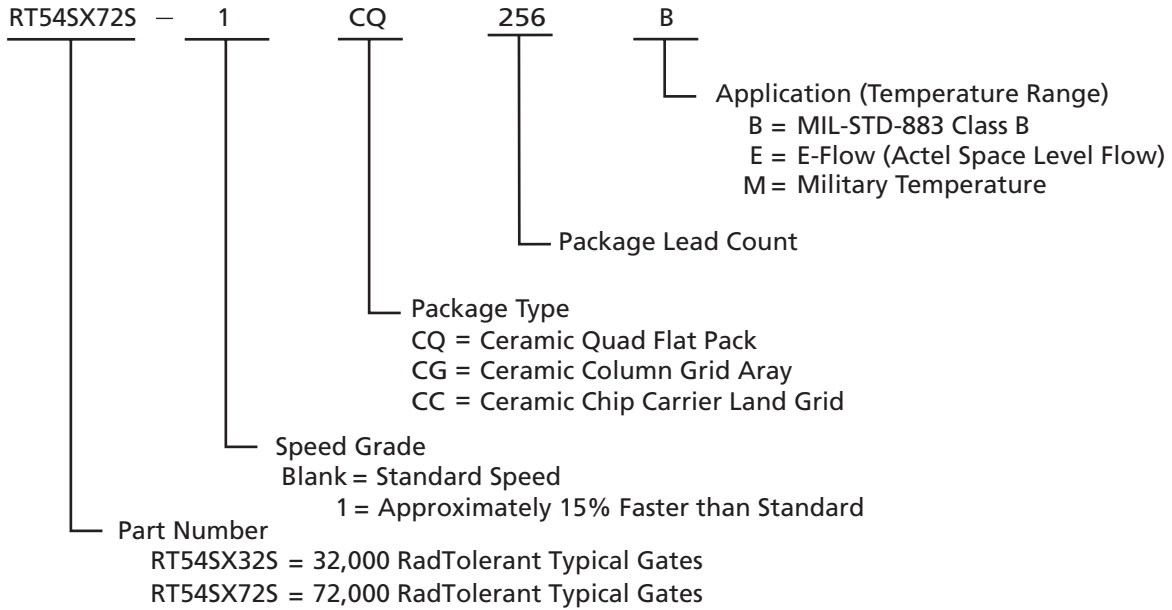
Features

- Very Low Power Consumption (Up to 68 mW at Standby)
- 3.3V and 5V Mixed Voltage
- Configurable I/O Support for 3.3V/5V PCI, LVTTTL, TTL, and CMOS
 - 5V Input Tolerance and 5V Drive Strength
 - Slow Slew Rate Option
 - Configurable Weak Resistor Pull-Up/Down for Tristated Outputs at Power-Up
 - Hot-Swap Compliant with Cold-Sparing Support
- Secure Programming Technology Prevents Reverse Engineering and Design Theft
- 100% Circuit Resource Utilization with 100% Pin Locking
- Unique In-System Diagnostic and Verification Capability with Silicon Explorer II
- Low-Cost Prototyping Option
- Deterministic, User-Controllable Timing
- JTAG Boundary Scan Testing in Compliance with IEEE Standard 1149.1 – Dedicated JTAG Reset (TRST) Pin

Table 1 • RTSX-S Product Profile

Device	RT54SX32S	RT54SX72S
Capacity		
Typical Gates	32,000	72,000
System Gates	48,000	108,000
Logic Modules		
Combinatorial Cells	2,880	6,036
SEU-Hardened Register Cells (Dedicated Flip-Flops)	1,800	4,024
	1,080	2,012
Maximum Flip-Flops	1,980	4,024
Maximum User I/Os	227	360
Clocks	3	3
Quadrant Clocks	0	4
Speed Grades	Std., -1	Std., -1
Package (by pin count)		
CQFP	208, 256	208, 256
CCGA		624
CCLG	256	

Ordering Information



Ceramic Device Resources

Device	User I/Os (including clock buffers)			
	CQFP 208-Pin	CQFP 256-Pin	CCLG 256-Pin	CCGA 624-Pin
RT54SX32S	173	227	202	–
RT54SX72S	170	212	–	360

Note: The 256-Pin CCLG available in Mil-Temp only.

Temperature Grade and Application Offering

Package	RT54SX32S	RT54SX72S
CQ208	B, E	B, E
CQ256	B, E	B, E
CC256	M	–
CG624	–	B, E

Note: M = Military Temperature
 B = MIL-STD-883 Class B
 E = E-Flow

Speed Grade and Temperature/Application Matrix

	Std.	-1
M	✓	✓
B	✓	✓
E	✓	✓

QML Certification

Actel has achieved full QML certification, demonstrating that quality management procedures, processes, and controls are in place and comply with MIL-PRF-38535 (the performance specification used by the U.S. Department of Defense for monolithic integrated circuits).

Actel MIL-STD-883 Class B Product Flow

Step	Screen	883 Method	883 Class B Requirement
1.	Internal Visual	2010, Test Condition B	100%
2.	Temperature Cycling	1010, Test Condition C	100%
3.	Constant Acceleration	2001, Test Condition B or D, Y ₁ , Orientation Only	100%
4.	Particle Impact Noise Detection	2020, Condition A	100%
5.	Seal a. Fine b. Gross	1014	100% 100%
6.	Visual Inspection	2009	100%
7.	Pre-Burn-In Electrical Parameters	In accordance with applicable Actel device specification	100%
8.	Dynamic Burn-In	1015, Condition D, 160 hours at 125°C or 80 hours at 150°C	100%
9.	Interim (Post-Burn-In) Electrical Parameters	In accordance with applicable Actel device specification	100%
10.	Percent Defective Allowable	5%	All Lots
11.	Final Electrical Test a. Static Tests (1)25°C (Subgroup 1, Table I) (2)-55°C and +125°C (Subgroups 2, 3, Table I) b. Functional Tests (1)25°C (Subgroup 7, Table I) (2)-55°C and +125°C (Subgroups 8A and 8B, Table I) c. Switching Tests at 25°C (Subgroup 9, Table I)	In accordance with applicable Actel device specification, which includes a, b, and c: 5005 5005 5005 5005 5005	100% 100% 100%
12.	External Visual	2009	100%

Actel Extended Flow¹

Step	Screen	Method	Requirement
1.	Destructive In-Line Bond Pull ³	2011, Condition D	Sample
2.	Internal Visual	2010, Condition A	100%
3.	Serialization		100%
4.	Temperature Cycling	1010, Condition C	100%
5.	Constant Acceleration	2001, Condition B or D, Y ₁ Orientation Only	100%
6.	Particle Impact Noise Detection	2020, Condition A	100%
7.	Radiographic	2012 (one view only)	100%
8.	Pre-Burn-In Test	In accordance with applicable Actel device specification	100%
9.	Dynamic Burn-In	1015, Condition D, 240 hours at 125°C or 120 hours at 150°C minimum	100%
10.	Interim (Post-Burn-In) Electrical Parameters	In accordance with applicable Actel device specification	100%
11.	Static Burn-In	1015, Condition C, 72 hours at 150°C or 144 hours at 125°C minimum	100%
12.	Interim (Post-Burn-In) Electrical Parameters	In accordance with applicable Actel device specification	100%
13.	Percent Defective Allowable (PDA) Calculation	5%, 3% Functional Parameters at 25°C	All Lots
14.	Final Electrical Test	In accordance with Actel applicable device specification which includes a, b, and c:	100%
	a. Static Tests		100%
	(1)25°C (Subgroup 1, Table 1)	5005	
	(2)-55°C and +125°C (Subgroups 2, 3, Table 1)	5005	
	b. Functional Tests		100%
	(1)25°C (Subgroup 7, Table 15)	5005	
	(2)-55°C and +125°C (Subgroups 8A and B, Table 1)	5005	
	c. Switching Tests at 25°C (Subgroup 9, Table 1)	5005	100%
15.	Seal	1014	100%
	a. Fine		
	b. Gross		
16.	External Visual	2009	100%

Notes:

1. Actel offers Extended Flow for users requiring additional screening beyond MIL-STD-883, Class B requirement. Actel offers this Extended Flow incorporating the majority of the screening procedures as outlined in Method 5004 of MIL-STD-883, Class S. The exceptions to Method 5004 are shown in notes 2 and 4 below.
2. MIL-STD-883, Method 5004, requires a 100 percent radiation latch-up testing to Method 1020. Actel will NOT perform any radiation testing, and this requirement must be waived in its entirety.
3. Method 5004 requires a 100 percent, nondestructive bond-pull to Method 2003. Actel substitutes a destructive bond-pull to Method 2011 Condition D on a sample basis only.
4. Wafer lot acceptance complies to commercial standards only (requirement per Method 5007 is not performed).

Table of Contents

General Description

Device Architecture	1-1
Programmable Interconnect Element	1-1
I/O Structure	1-2
Logic Modules	1-2
Routing	1-2
Global Resources	1-3
Design Environment	1-3
Programming	1-5
Low-Cost Prototyping Solution	1-5
In-System Diagnostic and Debug Capabilities	1-5
Radiation Survivability	1-5
Summary	1-6
Related Documents	1-6

Detailed Specification

General Conditions	2-1
Operating Conditions	2-2
Thermal Characteristics	2-4
Timing Model	2-6
I/O Specifications	2-7
Module Specifications	2-20
Routing Specifications	2-25
Global Resources	2-27
Other Architectural Features	2-33

Package Pin Assignments

208-Pin CQFP	3-1
256-Pin CQFP	3-5
256-Pin CCLG	3-10
624-Pin CCGA	3-19

Datasheet Information

List of Changes	4-1
Datasheet Categories	4-5

General Description

RTSX-S RadTolerant FPGAs are enhanced versions of Actel's SX-A family of devices, specifically designed for enhanced radiation performance.

Featuring SEU-hardened D-type flip-flops that offer the benefits of Triple Module Redundancy (TMR) without the associated overhead, the RTSX-S family is a unique product offering for space applications. Manufactured using 0.25 μm technology at the Matsushita (MEC) facility in Japan, RTSX-S offers levels of radiation survivability far in excess of typical CMOS devices.

Device Architecture

Actel's RTSX-S architecture, derived from the highly successful SX-A sea-of-modules architecture, has been designed to improve upset and total-dose performance in radiation environments.

With three layers of metal interconnect in the RT54SX32S and four metal layers in RT54SX72S, the RTSX-S family provides efficient use of silicon by locating the routing interconnect resources between the top two metal layers. This completely eliminates the channels of routing and interconnect resources between logic modules as

found in traditional FPGAs. In a sea-of-modules architecture, the entire floor of the FPGA is covered with a grid of logic modules with virtually no chip area lost to interconnect elements or routing.

The RTSX-S architecture adds several enhancements over the SX-A architecture to improve its performance in radiation environments, such as SEU-hardened flip-flops, wider clock lines, and stronger clock drivers.

Programmable Interconnect Element

Interconnection between logic modules is achieved using Actel's patented metal-to-metal programmable antifuse interconnect elements. The antifuses are normally open circuit and form a permanent, low-impedance connection when programmed.

The metal-to-metal antifuse is made up of a combination of amorphous silicon and dielectric material with barrier metals and has a programmed ("on" state) resistance of 25 Ω with capacitance of 1.0 fF for low signal impedance (Figure 1-1).

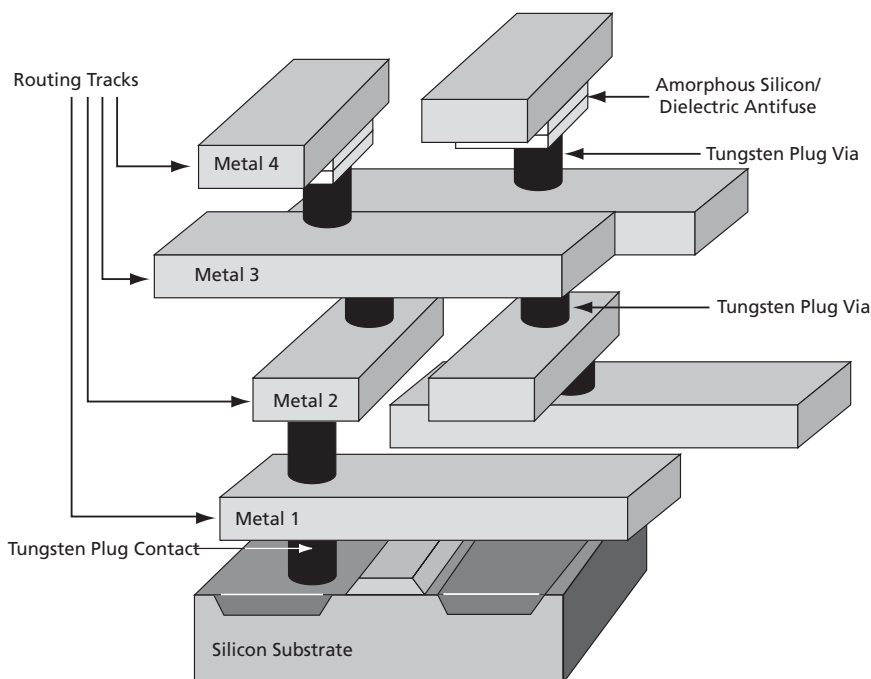


Figure 1-1 • RTSX-S Family Interconnect Elements

These antifuse interconnects reside between the top two layers of metal and thereby enable the sea-of-modules architecture in an FPGA.

The extremely small size of these interconnect elements gives the RTSX-S family abundant routing resources and provides excellent protection against design theft. Reverse engineering is virtually impossible because it is extremely difficult to distinguish between programmed and unprogrammed antifuses. Additionally, since RTSX-S is a nonvolatile, single-chip solution, there is no configuration bitstream to intercept.

The RTSX-S interconnect (i.e., the antifuses and metal tracks) also has lower capacitance and resistance than that of any other device of similar capacity, leading to the fastest signal propagation in the industry for the radiation tolerance offered.

I/O Structure

The RTSX-S family features a flexible I/O structure that supports 3.3V LVTTTL, 5V TTL, 5V CMOS, and 3.3V and 5V PCI. All I/O standards are hot-swap compliant, cold-sparing capable, and 5V tolerant (except for 3.3V PCI).

In addition, each I/O on an RTSX-S device can be configured as an input, an output, a tristate output, or a bidirectional pin. Mixed I/O standards are allowed and can be set on a pin-by-pin basis. High or low slew rate can be set on individual output buffers (except for PCI, which defaults to high slew), as well as the power-up configuration (either pull-up or pull-down).

Even without the inclusion of dedicated I/O registers, these I/Os, in combination with array registers, can achieve clock-to-output-pad timing as fast as 9.5 ns. In most FPGAs, I/O cells that have embedded latches and flip-flops require instantiation in HDL code; this is a design complication not encountered in RTSX-S FPGAs. Fast pin-to-pin timing ensures that the device will have little trouble interfacing with any other device in the system, which in turn, enables parallel design of system components and reduces overall design time.

Logic Modules

Actel's RTSX-S family provides two types of logic modules to the designer (Figure 1-2 on page 1-3): the register cell (R-cell) and the combinatorial cell (C-cell).

The C-cell implements a range of combinatorial functions with up to 5 inputs. Inclusion of the DB input and its associated inverter function dramatically increases the number of combinatorial functions that can be implemented in a single module from 800 options (as in previous architectures) to more than 4,000 in the RTSX-S architecture. An example of the improved flexibility enabled by the inversion capability is the ability to

integrate a three-input exclusive-OR function into a single C-cell. This facilitates the construction of nine-bit parity-tree functions. At the same time, the C-cell structure is extremely synthesis-friendly, simplifying the overall design and reducing synthesis time.

The R-cell contains a flip-flop featuring asynchronous clear, asynchronous preset, and clock enable (using the S0 and S1 lines) control signals. The R-cell registers feature programmable clock polarity, selectable on a register-by-register basis. This provides additional flexibility during mapping of synthesized functions into the RTSX-S FPGA. The clock source for the R-cell can be chosen from the hardwired clock, the routed clocks, or the internal logic.

While each SEU-hardened R-cell appears as a single D-type flip-flop to the user, each is implemented employing triple redundancy to achieve a LET threshold of greater than 40 MeV-cm²/mg. Each TMR R-cell consists of three master-slave latch pairs, each with asynchronous, self-correcting feedback paths. The output of each latch on the master or slave side is voted with the outputs of the other two latches on that side. If one of the three latches is struck by an ion and starts to change state, the voting with the other two latches prevents the change from feeding back and permanently latching. Care was taken in the layout to ensure that a single ion strike could not affect more than one latch (see "R-Cell" section on page 2-23 for more details).

Actel has arranged all C-cell and R-cell logic modules into horizontal banks called Clusters. There are two types of clusters: Type 1 contains two C-cells and one R-cell, while Type 2 contains one C-cell and two R-cells.

To increase design efficiency and device performance, Actel has further organized these modules into SuperClusters. SuperCluster 1 is a two-wide grouping of Type 1 clusters. SuperCluster 2 is a two-wide group containing one Type 1 cluster and one Type 2 cluster. RTSX-S devices feature more SuperCluster 1 modules than SuperCluster 2 modules because designers typically require significantly more combinatorial logic than flip-flops (Figure 1-2 on page 1-3).

Routing

R-cells and C-cells within Clusters and SuperClusters can be connected through the use of two innovative local routing resources called FastConnect and DirectConnect, which enable extremely fast and predictable interconnection of modules within Clusters and SuperClusters. This routing architecture also dramatically reduces the number of antifuses required to complete a circuit, ensuring the highest possible performance (Figure 1-3 on page 1-4 and Figure 1-4 on page 1-4).

DirectConnect is a horizontal routing resource that provides connections from a C-cell to its neighboring R-cell in a given SuperCluster. DirectConnect uses a hardwired signal path requiring no programmable interconnection to achieve its fast signal propagation time of less than 0.1 ns.

FastConnect enables horizontal routing between any two logic modules within a given SuperCluster and vertical routing with the SuperCluster immediately below it. Only one programmable connection is used in a FastConnect path, delivering a maximum interconnect propagation delay of 0.4 ns.

In addition to DirectConnect and FastConnect, the architecture makes use of two globally-oriented routing resources known as segmented routing and high-drive routing. Actel's segmented routing structure provides a variety of track lengths for extremely fast routing between SuperClusters. The exact combination of track lengths and antifuses within each path is chosen by the 100-percent-automatic place-and-route software to minimize signal propagation delays.

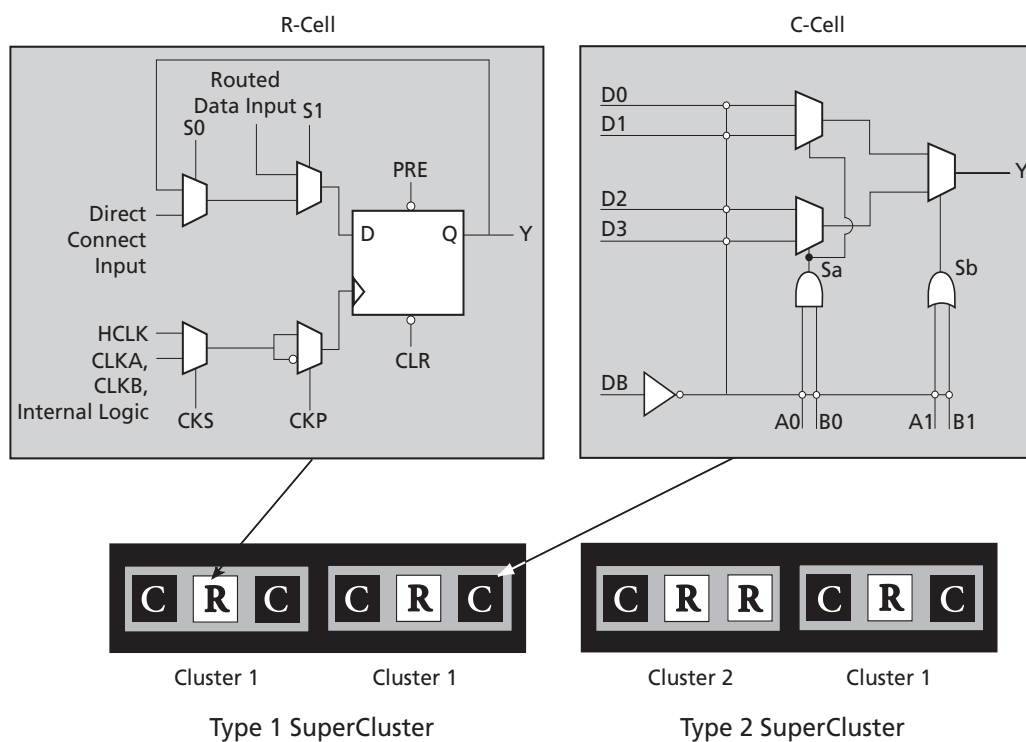


Figure 1-2 • R-Cell, C-Cell, and Cluster Organization

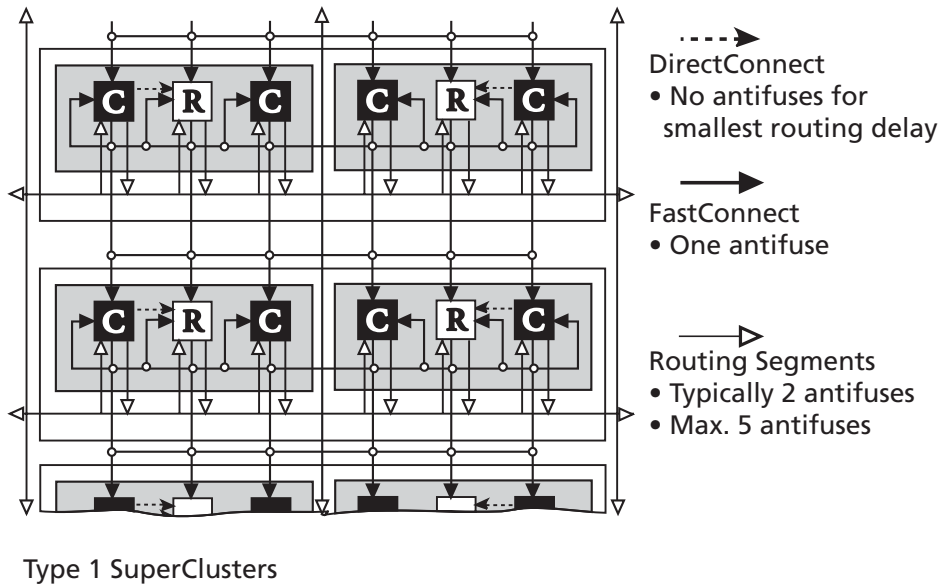


Figure 1-3 • DirectConnect and FastConnect for SuperCluster 1s

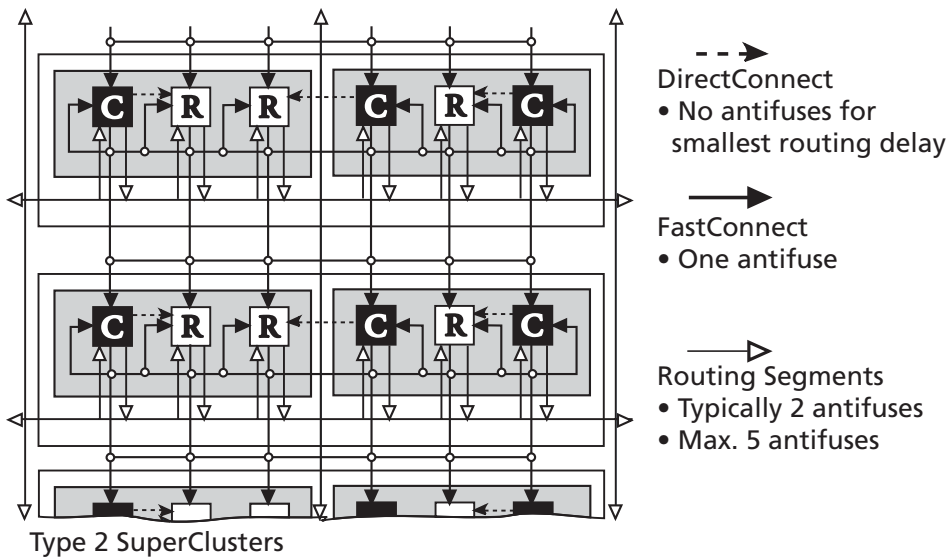


Figure 1-4 • DirectConnect and FastConnect for SuperCluster 2s

Global Resources

Actel's high-drive routing structure provides three clock networks: hardwired clocks (HCLK), routed clocks (CLKA, CLKB), and quadrant clocks (QCLKA, QCLKB, QCLKC, QCLKD).

Table 1-1 • RTSX-S Global Resources

	RT54SX32S	RT54SX72S
Routed Clocks (CLKA, CLKB)	2	2
Hardwired Clocks (HCLK)	1	1
Quadrant Clocks (QCLKA, QCLKB, QCLKC, QCLKD)	0	4

The first clock, called HCLK, is hardwired from the HCLK buffer to the clock select MUX in each R-cell. HCLK cannot be connected to combinational logic. This provides a fast propagation path for the clock signal, enabling the 9.5 ns clock-to-out (pad-to-pad) performance of the RTSX-S devices.

The second type of clock, routed clocks, (CLKA, CLKB) are global clocks that can be sourced from either external pins or internal logic signals within the device. CLKA and CLKB may be connected to sequential cells (R-cells) or to combinational logic (C-cells).

The last type of clock, quadrant clocks, are only found in the RT54SX72S. Similar to the routed clocks, the four quadrant clocks (QCLKA, QCLKB, QCLKC, QCLKD) can be sourced from external pins or from internal logic signals within the device. Each of these clocks can individually drive up to a quarter of the chip, or they can be grouped together to drive multiple quadrants.

Design Environment

The RTSX-S family of FPGAs is fully supported by both Actel's Libero™ Integrated Design Environment (IDE) and Designer FPGA Development software. Actel Libero IDE is a design management environment, seamlessly integrating design tools while guiding the user through the design flow, managing all design and log files, and passing necessary design data among tools. Additionally, Libero IDE allows users to integrate both schematic and HDL synthesis into a single flow and verify the entire design in a single environment. Libero IDE includes Synplify® for Actel from Synplify®, ViewDraw for Actel from Mentor Graphics, ModelSim™ HDL Simulator from Mentor Graphics®, WaveFormer Lite™ from SynaptiCAD™, and Designer software from Actel. Refer to the [Libero IDE flow](#) (located on Actel's website) diagram for more information.

Actel's Designer software is a place-and-route tool and provides a comprehensive suite of backend support tools for FPGA development. The Designer software includes timing-driven place-and-route, and a world-class integrated static timing analyzer and constraints editor. With the Designer software, a user can select and lock package pins while only minimally impacting the results of place-and-route. Additionally, the back-annotation flow is compatible with all the major simulators and the simulation results can be cross-probed with Silicon Explorer II, Actel's integrated verification and logic analysis tool. Another tool included in the Designer software is the ACTgen macro builder, which easily creates popular and commonly used logic functions for implementation into your schematic or HDL design. Actel's Designer software is compatible with the most popular FPGA design entry and verification tools from companies such as Mentor Graphics, Synplify, Synopsys, and Cadence Design Systems. The Designer software is available for both the Windows and UNIX operating systems.

Programming

Programming support is provided through Actel's Silicon Sculptor II, a single-site programmer driven via a PC-based GUI. Factory programming is available as well.

Low-Cost Prototyping Solution

Since the enhanced radiation characteristics of radiation-tolerant devices are not required during the prototyping phase of the design, Actel has developed a prototyping solution for RTSX-S that utilizes commercial SX-A devices. The prototyping solution consists of two parts:

- A well-documented design flow that allows the customer to target an RTSX-S design to the equivalent commercial SX-A device
- Either footprint-compatible packages or prototyping sockets to adapt commercial SX-A packages to the RTAX-S package footprints

This methodology provides the user with a cost-effective solution while maintaining the short time-to-market associated with Actel FPGAs. Please see the application note [Prototyping for the RTSX-S Enhanced Aerospace FPGA](#) for more details

In-System Diagnostic and Debug Capabilities

The RTSX-S family of FPGAs includes internal probe circuitry, allowing the designer to dynamically observe and analyze any signal inside the FPGA without disturbing normal device operation. Two individual signals can be brought out to two multipurpose pins

(PRA and PRB) on the device. The probe circuitry is accessed and controlled via Silicon Explorer II, Actel's integrated verification and logic analysis tool, which attaches to the serial port of a PC and communicates with the FPGA via the JTAG port.

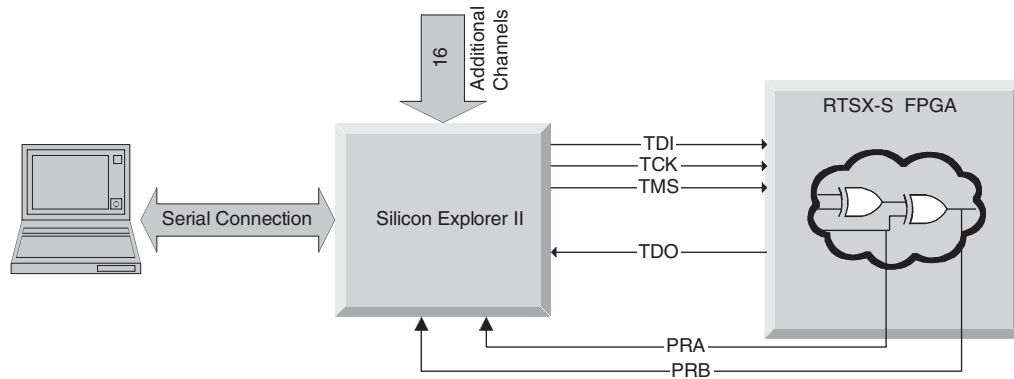


Figure 1-5 • Probe Setup

Radiation Survivability

The RTSX-S RadTolerant devices have varying total-dose radiation survivability. The ability of these devices to survive radiation effects is both device and lot dependent.

Total-dose results are summarized in two ways. The first summary is indicated by the maximum total-dose level achieved before the device fails to meet an individual performance specification but remains functional. For Actel FPGAs, the parameter that first exceeds the specification is I_{CC} (standby supply current). The second summary is indicated by the maximum total dose achieved prior to the functional failure of the device.

Actel provides total-dose radiation test data on each lot. Reports are available on Actel's website or from Actel's local sales representatives. Listings of available lots and devices can also be provided.

For a radiation performance summary, see [Radiation Data](#). This summary also shows single-event upset (SEU) and single-event latch-up (SEL) testing that has been performed on Actel FPGAs.

All radiation performance information is provided for informational purposes only and is not guaranteed. Total dose effects are lot-dependent, and Actel does not guarantee that future devices will continue to exhibit similar radiation characteristics. In addition, actual performance can vary widely due to a variety of factors, including but not limited to, characteristics of the orbit, radiation environment, proximity to the satellite exterior, the amount of inherent shielding from other sources within the satellite, and actual bare die variations. For these reasons, it is the sole responsibility of the user to determine whether the device will meet the requirements of the specific design.

Summary

The RTSX-S family of RadTolerant FPGAs extends Actel's highly successful offering of FPGAs for radiation environments with the industry's first FPGA designed specifically for enhanced radiation performance.

Related Documents

Application Notes

Simultaneous Switching Noise and Signal Integrity

http://www.actel.com/documents/SSN_AN.pdf

Implementation of Security in Actel Antifuse FPGAs

http://www.actel.com/documents/Antifuse_Security_AN.pdf

Using A54SX72A and RT54SX72S Quadrant Clocks

http://www.actel.com/documents/QCLK_AN.pdf

Actel eX, SX-A and RTSX-S I/Os

http://www.actel.com/documents/AntifuseIO_AN.pdf

IEEE Standard 1149.1 (JTAG) in the SX/RTSX/SX-A/eX/IRT54SX-S Families

http://www.actel.com/documents/SX_SXAJTAG_AN.pdf

Prototyping for the RT54SX-S Enhanced Aerospace FPGA

http://www.actel.com/documents/RTSXS_Proto_AN.pdf

Actel CQFP to FBGA Adapter Socket Instructions

http://www.actel.com/documents/CQ352-FPGA_Adapter_AN.pdf

Actel SX-A and RT54SX-S Devices in Hot-Swap and Cold-Sparing Applications

http://www.actel.com/documents/HotSwapColdSparing_AN.pdf

User's Guides and Manuals

Antifuse Macro Library Guide

<http://www.actel.com/documents/libguide.pdf>

ACTgen Macros User's Guide

<http://www.actel.com/documents/genguide.pdf>

Libero IDE v5.2 User's Guide

<http://www.actel.com/documents/liberoUG.pdf>

Silicon Sculptor II User's Guide

<http://www.actel.com/techdocs/manuals/default.asp>

White Papers

Design Security in Nonvolatile Flash and Antifuse FPGAs

http://www.actel.com/documents/DesignSecurity_WP.pdf

Understanding Actel Antifuse Device Security

<http://www.actel.com/documents/AntifuseSecurityWP.pdf>

Detailed Specifications

General Conditions

Table 2-1 • Supply Voltages

V_{CCA}	V_{CCI}	Maximum Input Tolerance	Maximum Output Drive
2.5V	3.3V	5V*	3.3V
2.5V	5V	5V	5V

Note: *3.3V PCI is not 5V tolerant

Table 2-2 • Characteristics for All I/O Configurations

I/O Standard	Hot Swappable	Slew Rate Control	Power up Resistor Pull
TTL, LVTTL	Yes	Yes. Affects falling edge outputs only	Pull-up or Pull-down
3.3V PCI	No	No. High slew rate only	Pull-up or Pull-down
5V PCI	Yes	No. High slew rate only	Pull-up or Pull-down

Table 2-3 • Time at which I/Os Become Active by Ramp Rate
(At room temperature and nominal operating conditions)

Ramp Rate	0.25V/ms	0.025V/ms	5V/ms	2.5V/ms	0.5V/ms	0.25V/ms	0.1V/ms	0.025V/ms
Units	ms	ms	ms	ms	ms	ms	ms	ms
RT54SX32S	10	100	0.46	0.74	2.8	5.2	12.1	47.2
RT54SX72S	10	100	0.41	0.67	2.6	5.0	12.1	47.2

Power-Up and Power-Cycling

The RTSX-S family does not require any specific initial power-up sequence. However, if the power-up/down happens periodically (power-cycling) with an improper power sequence profile and not enough delay between the cycles, an in-rush current appears on I_{CCI} under specific conditions. Therefore, if an application requires periodic power-cycling of the device, the following power sequence profile is recommended:

1. Power-up V_{CCA} to at least 0.7V before powering-up V_{CCI}
2. If it is impossible to power-up V_{CCA} before V_{CCI} , ensure that a suitable period of time is allowed between V_{CCA} and V_{CCI} power-down and subsequent power-up

The in-rush current phenomenon does not impact the long-term reliability of the device. Please see the application note [Power Cycling of RTSX-S Devices](#) for more details.

Operating Conditions

Absolute Maximum Conditions

Stresses beyond those listed in Table 2-4 may cause permanent damage to the device. Exposure to absolute maximum rated conditions may affect device reliability. Devices should not be operated outside the recommendations in Table 2-5.

Table 2-4 • Absolute Maximum Conditions

Symbol	Parameter	Limits	Units
V _{CCI}	DC Supply Voltage	-0.3 to +6.0	V
V _{CCA}	DC Supply Voltage	-0.3 to +3.0	V
V _I	Input Voltage	-0.5 to + 6.0	V
V _I	Input Voltage for Bidirectional I/Os when using 3.3V PCI	-0.5 to +V _{CCI} + 0.5	V
T _{STG}	Storage Temperature	-65 to +150	°C

Table 2-5 • Recommended Operating Conditions

Parameter	Military	Units
Temperature Range (case temperature)	-55 to +125	°C
2.5V Power Supply Tolerance	2.25 to 2.75	V
3.3V Power Supply Tolerance	3.0 to 3.6	V
5V Power Supply Tolerance	4.5 to 5.5	V

Power Dissipation

A critical element of system reliability is the ability of electronic devices to safely dissipate the heat generated during operation. The thermal characteristics of a circuit depend on the device and package used, the operating temperature, the operating current, and the system's ability to dissipate heat.

A complete power evaluation should be performed early in the design process to help identify potential heat-related problems in the system and to prevent the system from exceeding the device's maximum allowed junction temperature.

The actual power dissipated by most applications is significantly lower than the power the package can dissipate. However, a thermal analysis should be performed for all projects. To perform a power evaluation, follow these steps:

1. Estimate the power consumption of the application.
2. Calculate the maximum power allowed for the device and package.
3. Compare the estimated power and maximum power values.

Estimating Power Dissipation

The total power dissipation for the RTSX-S family is the sum of the DC power dissipation and the AC power dissipation:

$$P_{\text{Total}} = P_{\text{DC}} + P_{\text{AC}}$$

EQ 2-1

DC Power Dissipation

The power due to standby current is typically a small component of the overall power. The DC power dissipation is defined as:

$$P_{\text{DC}} = (I_{\text{CC}}) * V_{\text{CCA}} + (I_{\text{CC}}) * V_{\text{CCI}}$$

EQ 2-2

AC Power Dissipation

The power dissipation of the RTSX-S family is usually dominated by the dynamic power dissipation. Dynamic power dissipation is a function of frequency, equivalent capacitance, and power supply voltage. The AC power dissipation is defined as follows:

$$P_{AC} = P_{C-Cells} + P_{R-Cells} + P_{CLKA} + P_{CLKB} + P_{HCLK} + P_{Output Buffer} + P_{Input Buffer}$$

EQ 2-3

or:

$$P_{AC} = V_{CCA}^2 * [(m * C_{EQCM} * f_m)_{C-Cells} + (m * C_{EQSM} * f_m)_{R-Cells} + (n * C_{EQI} * f_n)_{Input Buffer} + (p * (C_{EQO} + C_L) * f_p)_{Output Buffer} + (0.5 * (q_1 * C_{EQCR} * f_{q1}) + (r_1 * f_{q1}))_{CLKA} + (0.5 * (q_2 * C_{EQCR} * f_{q2}) + (r_2 * f_{q2}))_{CLKB} + (0.5 * (s_1 * C_{EQHV} * f_{s1}) + (C_{EQHF} * f_{s1}))_{HCLK}]$$

EQ 2-4

Where:

C_{EQCM} = Equivalent capacitance of combinatorial modules (C-Cells) in pF

C_{EQSM} = Equivalent capacitance of sequential modules (R-Cells) in pF

C_{EQI} = Equivalent capacitance of input buffers in pF

C_{EQO} = Equivalent capacitance of output buffers in pF

C_{EQCR} = Equivalent capacitance of CLKA/B in pF

C_{EQHV} = Variable capacitance of HCLK in pF

C_{EQHF} = Fixed capacitance of HCLK in pF

C_L = Output lead capacitance in pF

f_m = Average logic module switching rate in MHz

f_n = Average input buffer switching rate in MHz

f_p = Average output buffer switching rate in MHz

f_{q1} = Average CLKA rate in MHz

f_{q2} = Average CLKB rate in MHz

f_{s1} = Average HCLK rate in MHz

m = Number of logic modules switching at f_m

n = Number of input buffers switching at f_n

p = Number of output buffers switching at f_p

q_1 = Number of clock loads on CLKA

q_2 = Number of clock loads on CLKB

r_1 = Fixed capacitance due to CLKA

r_2 = Fixed capacitance due to CLKB

s_1 = Number of clock loads on HCLK

x = Number of I/Os at logic low

y = Number of I/Os at logic high

Table 2-6 • Fixed Power Parameters

Parameter	RT54SX32S	RT54SX72S	Units
C_{EQCM}	3.00	3.00	pF
C_{EQSM}	3.00	3.00	pF
C_{EQI}	1.40	1.30	pF
C_{EQO}	7.40	7.40	pF
C_{EQCR}	3.50	3.50	pF
C_{EQHV}	4.30	4.30	pF
C_{EQHF}	300	690	pF
r_1	100	245	pF
r_2	100	245	pF
I_{CC}	25	25	mA

Guidelines for Estimating Power

The following guidelines are meant to represent worst-case scenarios; they can be generally used to predict the upper limits of power dissipation:

Logic Modules (m) = 20% of modules

Inputs Switching (n) = # inputs/4

Outputs Switching (p) = # output/4

CLKA Loads (q_1) = 20% of R-cells

CLKB Loads (q_2) = 20% of R-cells

Load Capacitance (CL) = 35 pF

Average Logic Module Switching Rate (f_m) = $f/10$

Average Input Switching Rate (f_n) = $f/5$

Average Output Switching Rate (f_p) = $f/10$

Average CLKA Rate (f_{q1}) = $f/2$

Average CLKB Rate (f_{q2}) = $f/2$

Average HCLK Rate (f_{s1}) = f

HCLK loads (s_1) = 20% of R-cells

To assist customers in estimating the power dissipations of their designs, Actel has published the [eX](#), [SX-A](#) and [RT54SX-S Power Calculator](#) worksheet.

Thermal Characteristics

Introduction

The temperature variable in Actel’s Designer software refers to the junction temperature, not the ambient, case, or board temperatures. This is an important distinction because dynamic and static power consumption cause the chip junction to be higher than the ambient, case, or board temperatures. EQ 2-5, EQ 2-6, and EQ 2-7 give the relationship between thermal resistance, temperature gradient and power.

$$\theta_{ja} = \frac{T_j - T_a}{P} \quad \text{EQ 2-5}$$

$$\theta_{jc} = \frac{T_j - T_c}{P} \quad \text{EQ 2-6}$$

$$\theta_{jb} = \frac{T_j - T_b}{P} \quad \text{EQ 2-7}$$

Where:

θ_{ja} = Junction-to-air thermal resistance of the package. θ_{ja} numbers are located in Table 2-7.

θ_{jc} = Junction-to-case thermal resistance of the package. θ_{jc} numbers are located in Table 2-7.

θ_{jb} = Junction-to-board thermal resistance of the package. θ_{jb} for a 624-pin CCGA is located in the notes for Table 2-7.

T_j = Junction Temperature

T_a = Ambient Temperature

T_b = Board Temperature

T_c = Case Temperature

P = Power

Package Thermal Characteristics

The device thermal characteristics θ_{jc} and θ_{ja} are given in Table 2-7. The thermal characteristics for θ_{ja} are shown with two different air flow rates. Note that the absolute maximum junction temperature is 150°C.

Table 2-7 • Package Thermal Characteristics

Package Type	Pin Count	θ_{jc}	θ_{ja}			Units
			Still Air	θ_{ja} 1.0m/s	θ_{ja} 2.5m/s	
Ceramic Quad Flat Pack (CQFP)	208	2.0 ¹	22	19.8	18.0	°C/W
Ceramic Quad Flat Pack (CQFP)	256	2.0 ¹	20	16.5	15.0	°C/W
Ceramic Quad Flat Pack (CQFP) with heatsink	208	0.5 ¹	21.0	17.3	15.7	°C/W
Ceramic Quad Flat Pack (CQFP) with heatsink	256	0.5 ¹	19.0	15.7	14.2	°C/W
Ceramic Chip Carrier Land Grid (CCLG)	256	1.1 ¹	12.1	10.0	9.1	°C/W
Ceramic Column Grid Array (CCGA)	624	6.5 ²	8.9	8.5	8.0	°C/W

Notes:

- θ_{jc} for CQFP and CCLG packages refers to the thermal resistance between the junction and the bottom of the package.
- θ_{jc} for the CCGA 624 refers to the thermal resistance between the junction and the top surface of the package. Thermal resistance from junction to board (θ_{jb}) for CG624 package is 3.4 °C/W.

Maximum Allowed Power Dissipation

Shown below are example calculations to estimate the maximum allowed power dissipation for a given device based on two different thermal environments while maintaining the device junction temperature at or below worst-case military operating conditions (125°C).

Example 1:

This example assumes that there is still air in the environment. The heat flow is shown by the arrows in Figure 2-1 on page 2-5. The maximum ambient air temperature is assumed to be 50°C. The device package used is the 624-pin CCGA.

$$\text{Max. Allowed Power} = \frac{\text{Max Junction Temp} - \text{Max. Ambient Temp}}{\theta_{ja}} = \frac{125^\circ\text{C} - 50^\circ\text{C}}{8.9^\circ\text{C/W}} = 8.43\text{W}$$

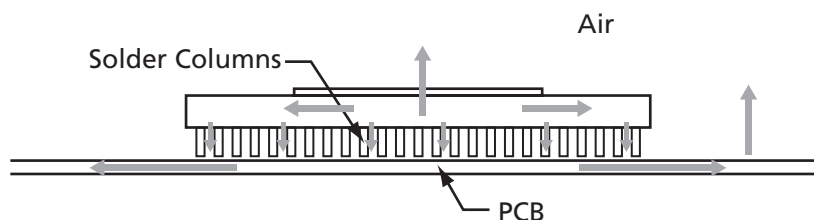


Figure 2-1 • Heat Flow When Air is Present

Example 2:

This example assumes that the primary heat conduction path will be through the bottom of the package (neglecting the heat conducted through the package pins) to the board for a package mounted with thermal paste. The heat flow is shown by the arrows in Figure 2-2. The maximum board temperature is assumed to be 70°C. The device package used is the 352-pin CQFP. The thermal resistance (θ_{cb}) of the thermal paste is assumed to be 0.58 °C/W.

$$\text{Max. Allowed Power} = \frac{T_j - T_b}{\theta_{jb}} = \frac{T_j - T_b}{\theta_{jc} + \theta_{cb}} = \frac{125^\circ\text{C} - 70^\circ\text{C}}{2.0^\circ\text{C/W} + 0.58^\circ\text{C/W}} = 21.32\text{W}$$

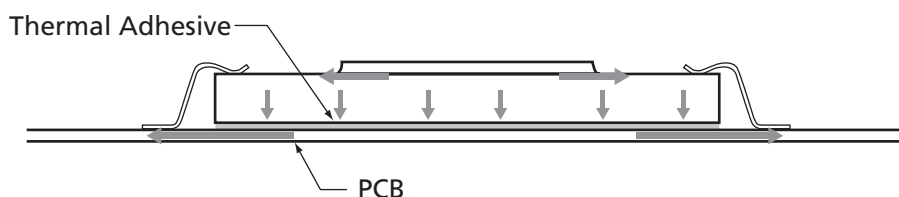


Figure 2-2 • Heat Flow in a Vacuum

Timing Derating

RTSX-S devices are manufactured in a CMOS process; therefore, device performance is dependent on temperature, voltage, and process variations. Minimum timing parameters reflect maximum operating voltage, minimum operating temperature, and best-case processing. Maximum timing parameters reflect minimum operating voltage, maximum operating temperature, and worst-case processing. The derating factors shown in Table 2-8 should be applied to all timing data contained within this datasheet.

 Table 2-8 • Temperature and Voltage Derating Factors
 (Normalized to Worst-Case Military Conditions, $T_j = 125^\circ\text{C}$, $V_{CCA} = 2.25\text{V}$)

V_{CCA}	Junction Temperature (T_j)						
	-55°C	-40°C	0°C	25°C	70°C	85°C	125°C
2.25	0.71	0.72	0.78	0.80	0.90	0.94	1.00
2.50	0.67	0.67	0.73	0.75	0.84	0.87	0.93
2.75	0.62	0.63	0.69	0.70	0.79	0.82	0.88

Note: The user can set the junction temperature in Actel's Designer software to be any integer value in the range of -55°C to 175°C, and the core voltage to be any value between 2.25V and 2.75V.

Timing Model

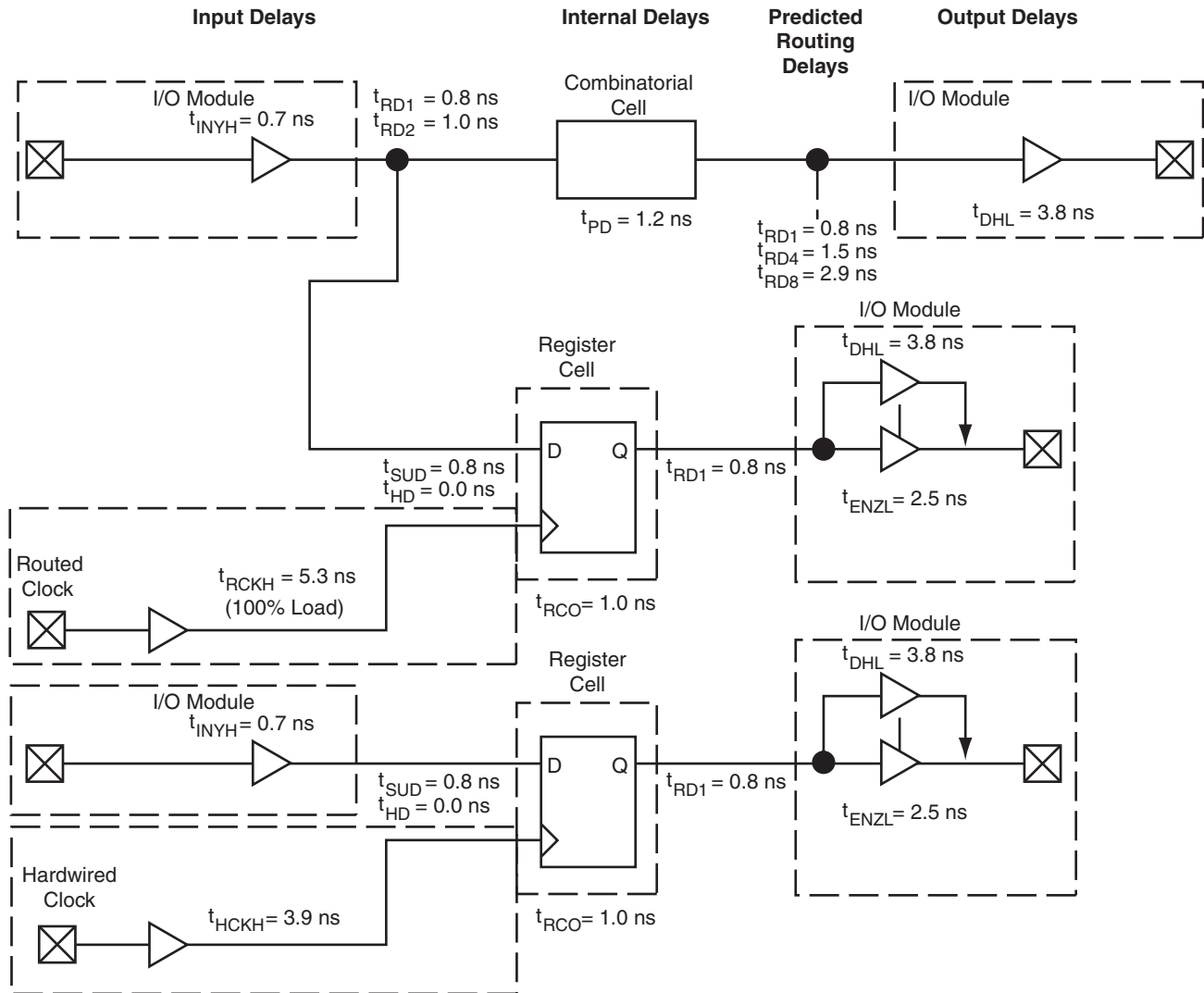


Figure 2-3 • RTSX-S Timing Model
 Values shown for RT54SX32S, -1, 0 krad (Si), 5V TTL worst-case military conditions

Hardwired Clock

External Setup

$$= (t_{INYH} + t_{RD2} + t_{SUD}) - t_{HCKH}$$

$$= 0.7 + 1.0 + 0.8 - 3.9 = -1.4 \text{ ns}$$

Clock-to-Out (Pad-to-Pad)

$$= t_{HCKH} + t_{RCO} + t_{RD1} + t_{DHL}$$

$$= 3.9 + 1.0 + 0.8 + 3.8 = 9.5 \text{ ns}$$

Routed Clock

External Setup

$$= (t_{INYH} + t_{RD2} + t_{SUD}) - t_{RCKH}$$

$$= 0.7 + 1.0 + 0.8 - 5.3 = -2.8 \text{ ns}$$

Clock-to-Out (Pad-to-Pad)

$$= t_{RCKH} + t_{RCO} + t_{RD1} + t_{DHL}$$

$$= 5.3 + 1.0 + 0.8 + 3.8 = 10.9 \text{ ns}$$

I/O Specifications

Pin Descriptions

Supply Pins

GND **Ground**

Low supply voltage.

V_{CC1} **Supply Voltage**

Supply voltage for I/Os. See [Table 2-1 on page 2-1](#).

V_{CCA} **Supply Voltage**

Supply voltage for Array. See [Table 2-1 on page 2-1](#).

Global Pins

CLKA/B **Routed Clock A and B**

These pins are clock inputs for clock distribution networks. Input levels are compatible with standard TTL, LVTTTL, 3.3V PCI, or 5V PCI specifications. The clock input is buffered prior to clocking the R-cells. When not used, this pin must be set Low or High on the board. When used, this pin should be held Low or High during power-up to avoid unwanted static power.

For RT54SX72S, these pins can be configured as user I/Os. When used, this pin offers a built-in programmable pull-up or pull-down resistor active during power-up only.

QCLKA/B/C/D **Quadrant Clock A, B, C, and D / I/O**

These four pins are the quadrant clock inputs and are only found on the RT54SX72S. They are clock inputs for clock distribution networks. Input levels are compatible with standard TTL, LVTTTL, 3.3V PCI or 5V PCI specifications. Each of these clock inputs can drive up to a quarter of the chip, or they can be grouped together to drive multiple quadrants. The clock input is buffered prior to clocking the core cells.

These pins can be configured as user I/Os. When not used, these pins must not be left floating. They must be set Low or High on the board. When used, this pin offers a built-in programmable pull-up or pull-down resistor, active during power-up only.

HCLK **Dedicated (Hardwired) Array Clock**

This pin is the clock input for sequential modules. Input levels are compatible with standard TTL, LVTTTL, 3.3V PCI or 5V PCI specifications. This input is buffered prior to clocking the R-cells. It offers clock speeds independent of the number of R-cells being driven. When not used, this pin must not be left floating. It must be set to Low or High on the board. When used, this pin should be held Low or High during power-up to avoid unwanted static power.

JTAG/Probe Pins

PRA/PRB¹ I/O, **Probe A/B**

The probe pin is used to output data from any user-defined design node within the device. This independent diagnostic pin can be used in conjunction with the other probe pin to allow real-time diagnostic output of any signal path within the device. The probe pin can be used as a user-defined I/O when verification has been completed. The pin's probe capabilities can be permanently disabled to protect programmed design confidentiality.

TCK¹, I/O **Test Clock**

Test clock input for diagnostic probe and device programming. In flexible mode, TCK becomes active when the TMS pin is set Low ([Table 2-32 on page 2-35](#)). This pin functions as an I/O when the boundary scan state machine reaches the "logic reset" state.

TDI¹, I/O **Test Data Input**

Serial input for boundary scan testing and diagnostic probe. In flexible mode, TDI is active when the TMS pin is set Low ([Table 2-32 on page 2-35](#)). This pin functions as an I/O when the boundary scan state machine reaches the "logic reset" state.

TDO¹, I/O **Test Data Output**

Serial output for boundary scan testing. In flexible mode, TDO is active when the TMS pin is set Low ([Table 2-32 on page 2-35](#)). This pin functions as an I/O when the boundary scan state machine reaches the "logic reset" state. When Silicon Explorer II is being used, TDO will act as an output when the "checksum" command is run. It will return to user I/O when "checksum" is complete.

TMS¹ **Test Mode Select**

The TMS pin controls the use of the IEEE 1149.1 boundary scan pins (TCK, TDI, TDO, TRST). In flexible mode when the TMS pin is set Low, the TCK, TDI, and TDO pins are boundary scan pins ([Table 2-32 on page 2-35](#)). Once the boundary scan pins are in test mode, they will remain in that mode until the internal boundary scan state machine reaches the "logic reset" state. At this point, the boundary scan pins will be released and will function as regular I/O pins. The "logic reset" state is reached five TCK cycles after the TMS pin is set High. In dedicated test mode, TMS functions as specified in the IEEE 1149.1 specifications.

1. These pins should be terminated with a 70 Ω resistor to preserve probing capabilities.

TRST **Boundary Scan Reset Pin**

The TRST pin functions as an active-low input to asynchronously initialize or rest the boundary scan circuit. The TRST pin is equipped with an internal pull-up resistor. For flight applications, the TRST pin should be hardwired to GND.

User I/O**I/O** **Input/Output**

The I/O pin functions as an input, output, tristate, or bidirectional buffer. Input and output levels are compatible with standard TTL, LVTTTL, 3.3V/5V PCI, or 5V CMOS specifications. Unused I/O pins are automatically tristated by the Designer software. See "User I/O" section on page 2-8 for more details.

Special Functions**NC** **No Connection**

This pin is not connected to circuitry within the device. These pins can be driven to any voltage or can be left floating with no effect on the operation of the device.

User I/O

The RTSX-S family features a flexible I/O structure that supports 3.3V LVTTTL, 5V TTL, 5V CMOS, and 3.3V and 5V PCI. All I/O standards are hot-swap compliant, cold-sparing capable, and 5V tolerant (except for 3.3V PCI).

Each I/O module has an available power-up resistor of approximately 50 k Ω that can configure the I/O to a known state during power-up. Just slightly before V_{CCA} reaches 2.5V, the resistors are disabled so the I/Os will behave normally. For more information about the power-up resistors, please see Actel's application note *SX-A and RTSX-S Devices in Hot-Swap and Cold Sparing Applications*.

RTSX-S inputs should be driven by high-speed push-pull devices with a low-resistance pull-up device. If the input voltage is greater than V_{CCI} and a fast push-pull device is NOT used, the high-resistance pull-up of the driver and the internal circuitry of the RTSX-S I/O may create a voltage divider (when a user I/O is configured as an input, the associated output buffer is tristated). This voltage divider could pull the input voltage below specification for some devices connected to the driver. A logic '1' may not be correctly presented in this case. For example, if an open drain driver is used with a pull-up resistor to 5V to provide the logic '1' input, and V_{CCI} is set to 3.3V on the RTSX-S device, the input signal may be pulled down by the RTSX-S input.

Hot Swapping

RTSX-S I/Os can be configured to be hot swappable in compliance with the Compact PCI Specification. However, a 3.3V PCI device is not hot swappable. During power-up/down, all I/Os are tristated. V_{CCA} and V_{CCI} do not have to be stable during power-up/down. After the RTSX-S device is plugged into an electrically active system, the device will not degrade the reliability of or cause damage to the host system. The device's output pins are driven to a high impedance state until normal chip operating conditions are reached. Table 2-3 on page 2-1 summarizes the V_{CCA} voltage at which the I/Os behave according to the user's design for an RTSX-S device at room temperature for various ramp-up rates. The data reported assumes a linear ramp-up profile to 2.5V. Refer to Actel's application note, *SX-A and RTSX-S Devices in Hot-Swap and Cold-Sparing Applications* for more information on hot swapping.

Customizing the I/O

Each user I/O on an RTSX-S device can be configured as an input, an output, a tristate output, or a bidirectional pin. Mixed I/O standards are allowed and can be set on a pin-by-pin basis. High or low slew rates can be set on individual output buffers (except for PCI which defaults to high slew), as well as the power-up configuration (either pull-up or pull-down).

The user selects the desired I/O by setting the I/O properties in PinEditor, Actel's graphical pin-placement and I/O properties editor. See PinEditor online help for more information.

Unused I/Os

All unused user I/Os are automatically tristated by Actel's Designer software. Although termination is not required, it is recommended that the user tie off all unused I/Os to GND externally. If the I/O clamp diode is disabled, then unused I/Os are 5V tolerant, otherwise unused I/Os are tolerant to V_{CCI} .

I/O Macros

There are nine I/O macros available to the user for RTSX-S:

- CLKBUF/CLKBUFI: Clock Buffer, noninverting and inverting
- CLKBIBUF/CLKBIBUFI: Bidirectional Clock Buffer, noninverting and inverting
- QCLKBUF/QCLKBUFI: Quadrant Clock Buffer, noninverting and inverting
- QCLKBIBUF/QCLKBIBUFI: Quad Bidirectional Clock Buffer, noninverting and inverting
- HCLKBUF: Hardwired Clock Buffer
- INBUF: Input Buffer
- OUTBUF: Output Buffer
- TRIBUF: Tristate Buffer
- BIBUF: Bidirectional Buffer

Table 2-9 • User I/O Features

Function	Description
Input Buffer Threshold Selections	<ul style="list-style-type: none"> • 5V: CMOS, PCI, TTL • 3.3V: PCI, LVTTTL
Flexible Output Driver	<ul style="list-style-type: none"> • 5V: CMOS, PCI, TTL • 3.3V: PCI, LVTTTL • Selectable on an individual I/O basis
Output Buffer	<p>“Hot-Swap” Capability</p> <ul style="list-style-type: none"> • I/Os on an unpowered device does not sink the current (Power supplies are at 0V) • Can be used for “cold sparing” <p>Individually selectable slew rate, high or low slew (The default is high slew rate). The slew rate selection only affects the falling edge of an output. There is no change on the rising edge of the output or any inputs.</p>
Power-Up	<p>Individually selectable pull-ups and pull-downs during power-up (default is to power-up in tristate mode)</p> <p>Enables deterministic power-up of a device</p> <p>V_{CCA} and V_{CCI} can be powered in any order</p>

I/O Module Timing Characteristics

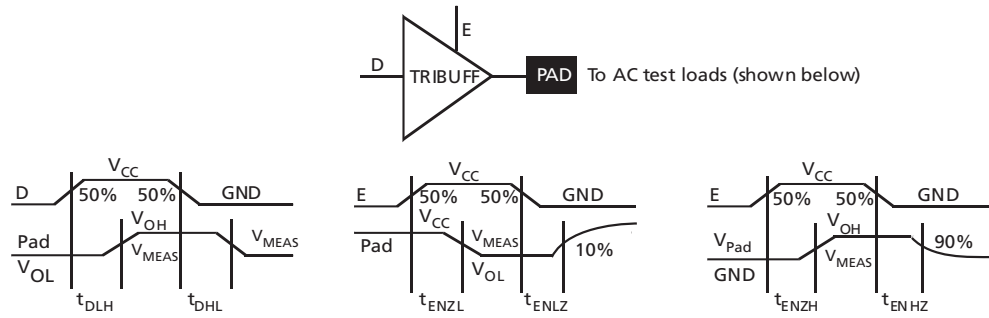


Figure 2-4 • Output Timing Model and Waveforms

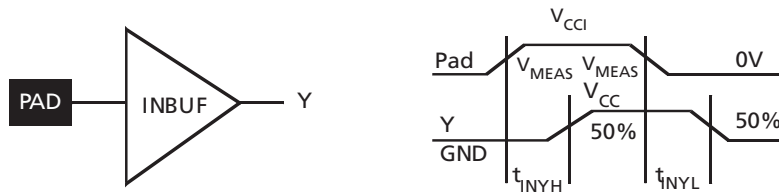


Figure 2-5 • Input Timing Model and Waveforms

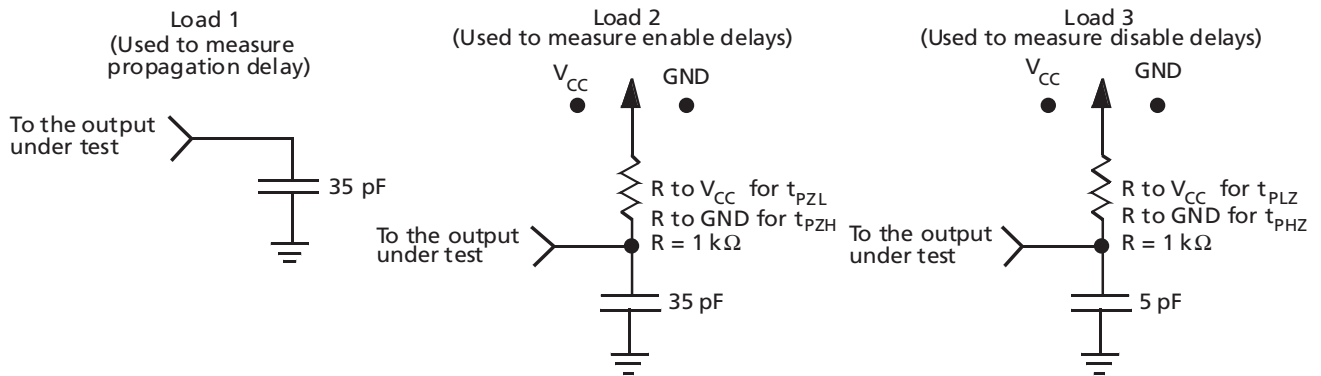


Figure 2-6 • AC Test Loads

5V TTL and 3.3V LVTTTL

Table 2-10 • 5V TTL and 3.3V LVTTTL Electrical Specifications

Symbol	Parameter		Military		Units
			Min.	Max.	
V _{OH}	V _{CC1} = Min, V _I = V _{IH} or V _{IL}	(I _{OH} = -1mA)	0.9 V _{CC1}		V
	V _{CC1} = Min, V _I = V _{IH} or V _{IL}	(I _{OH} = -8mA)	2.4		V
V _{OL}	V _{CC1} = Min, V _I = V _{IH} or V _{IL}	(I _{OL} = 1mA)		0.1 V _{CC1}	V
	V _{CC1} = Min, V _I = V _{IH} or V _{IL}	(I _{OL} = 12mA)		0.4	V
V _{IL}	Input Low Voltage			0.8	V
V _{IH}	Input High Voltage		2.0		V
I _{IL} / I _{IH}	Input Leakage Current, V _{IN} = V _{CC1} or GND		-20	20	μA
I _{OZ}	Tristate Output Leakage Current, V _{OUT} = V _{CC1} or GND		-20	20	μA
t _R , t _F	Input Transition Time			10	ns
C _{IN}	Input Pin Capacitance ³			20	pF
C _{CLK}	CLK Pin Capacitance ³			20	pF
V _{MEAS}	Trip point for Input buffers and Measuring point for Output buffers		1.5		V
IV Curve ²	Can be derived from the IBIS model on the web.				

Notes:

1. The IBIS model can be found at www.actel.com/techdocs/models/ibis.html.
2. If t_R/t_F exceeds the limit of 10 ns, Actel can guarantee reliability but not functionality.
3. Absolute maximum pin capacitance, which includes package and I/O input capacitance.

Timing Characteristics

Table 2-11 • RT54SX32S 5V TTL and 3.3V LVTTTL I/O Module

Worst-Case Military Conditions $V_{CCA} = 2.25V$, $T_J = 125^\circ C$, Radiation Level = 0 krad (Si)

Parameter	Description	'-1' Speed		'Std.' Speed		Units
		Min.	Max.	Min.	Max.	
5V TTL Output Module Timing ($V_{CCI} = 4.5V$)						
t_{INYH}	Input Data Pad-to-Y High		0.7		0.9	ns
t_{INYL}	Input Data Pad-to-Y Low		1.1		1.3	ns
t_{DLH}	Data-to-Pad Low to High		3.1		3.6	ns
t_{DHL}	Data-to-Pad High to Low		3.8		4.4	ns
t_{DHLS}	Data-to-Pad High to Low – low slew		9.8		11.5	ns
t_{ENZL}	Enable-to-Pad, Z to Low		2.5		3.0	ns
t_{DENZLS}	Enable-to-Pad, Z to Low – low slew		9.0		10.6	ns
t_{ENZH}	Enable-to-Pad, Z to High		3.1		3.6	ns
t_{ENLZ}	Enable-to-Pad, Low to Z		4.4		5.3	ns
t_{ENHZ}	Enable-to-Pad, High to Z		3.8		4.4	ns
d_{TLH}	Delta Delay vs. Load Low to High		0.036		0.046	ns/pF
d_{THL}	Delta Delay vs. Load High to Low		0.029		0.038	ns/pF
d_{THLS}	Delta Delay vs. Load High to Low – low slew		0.049		0.064	ns/pF
3.3V LVTTTL Output Module Timing ($V_{CCI} = 3.0V$)						
t_{INYH}	Input Data Pad-to-Y High		0.8		0.9	ns
t_{INYL}	Input Data Pad-to-Y Low		1.1		1.3	ns
t_{DLH}	Data-to-Pad Low to High		4.1		4.8	ns
t_{DHL}	Data-to-Pad High to Low		3.7		4.4	ns
t_{DHLS}	Data-to-Pad High to Low – low slew		13.2		15.6	ns
t_{ENZL}	Enable-to-Pad, Z to L		2.9		3.4	ns
t_{DENZLS}	Enable-to-Pad, Z to Low – low slew		12.7		14.9	ns
t_{ENZH}	Enable-to-Pad, Z to H		4.1		4.8	ns
t_{ENLZ}	Enable-to-Pad, L to Z		3.7		4.4	ns
t_{ENHZ}	Enable-to-Pad, H to Z		3.7		4.4	ns
d_{TLH}	Delta Delay vs. Load Low to High		0.064		0.081	ns/pF
d_{THL}	Delta Delay vs. Load High to Low		0.031		0.040	ns/pF
d_{THLS}	Delta Delay vs. Load High to Low – low slew		0.069		0.088	ns/pF

Note: Output delays based on 35 pF loading.

Table 2-12 • RT54SX72S 5V TTL and 3.3V LVTTTL I/O Module
 Worst-Case Military Conditions $V_{CC1} = 2.25V$, $T_J = 125^\circ C$, Radiation Level = 0 krad (Si)

Parameter	Description	'-1' Speed		'Std.' Speed		Units
		Min.	Max.	Min.	Max.	
5V TTL Output Module Timing ($V_{CC1} = 4.5V$)						
t_{INYH}	Input Data Pad-to-Y High		0.7		0.9	ns
t_{INYL}	Input Data Pad-to-Y Low		1.1		1.3	ns
t_{DLH}	Data-to-Pad Low to High		3.2		3.7	ns
t_{DHL}	Data-to-Pad High to Low		4.0		4.7	ns
t_{DHLS}	Data-to-Pad High to Low – low slew		10.3		12.1	ns
t_{ENZL}	Enable-to-Pad, Z to Low		2.5		3.0	ns
t_{DENZLS}	Enable-to-Pad, Z to Low – low slew		9.0		10.6	ns
t_{ENZH}	Enable-to-Pad, Z to High		3.2		3.7	ns
t_{ENLZ}	Enable-to-Pad, Low to Z		4.4		5.3	ns
t_{ENHZ}	Enable-to-Pad, High to Z		4.0		4.7	ns
d_{TLH}	Delta Delay vs. Load Low to High		0.036		0.046	ns/pF
d_{THL}	Delta Delay vs. Load High to Low		0.029		0.038	ns/pF
d_{THLS}	Delta Delay vs. Load High to Low – low slew		0.049		0.064	ns/pF
3.3V LVTTTL Output Module Timing ($V_{CC1} = 3.0V$)						
t_{INYH}	Input Data Pad-to-Y High		1.0		1.2	ns
t_{INYL}	Input Data Pad-to-Y Low		2.2		2.5	ns
t_{DLH}	Data-to-Pad Low to High		4.0		4.6	ns
t_{DHL}	Data-to-Pad High to Low		3.6		4.2	ns
t_{DHLS}	Data-to-Pad High to Low – low slew		12.7		14.9	ns
t_{ENZL}	Enable-to-Pad, Z to L		2.9		3.4	ns
t_{DENZLS}	Enable-to-Pad, Z to Low – low slew		12.7		14.9	ns
t_{ENZH}	Enable-to-Pad, Z to H		4.0		4.6	ns
t_{ENLZ}	Enable-to-Pad, L to Z		3.9		4.4	ns
t_{ENHZ}	Enable-to-Pad, H to Z		3.6		4.2	ns
d_{TLH}	Delta Delay vs. Load Low to High		0.064		0.081	ns/pF
d_{THL}	Delta Delay vs. Load High to Low		0.031		0.04	ns/pF
d_{THLS}	Delta Delay vs. Load High to Low – low slew		0.069		0.088	ns/pF

Note: Output delays based on 35 pF loading.

5V CMOS

Table 2-13 • 5V CMOS Electrical Specifications

Symbol	Parameter	Military		Units	
		Min.	Max.		
V _{OH}	V _{CCI} = MIN, V _I = V _{CCI} or GND	(I _{OH} = -20μA)	V _{CCI} - 0.1	V	
V _{OL}	V _{CCI} = MIN, V _I = V _{CCI} or GND	(I _{OL} = ±20μA)	0.1	V	
V _{IL}	Input Low Voltage, V _{OUT} = V _{VOL(max)}		0.3V _{CC}	V	
V _{IH}	Input High Voltage, V _{OUT} = V _{VOH(min)}		0.7V _{CC}	V	
I _{OZ}	Tristate Output Leakage Current, V _{OUT} = V _{CCI} or GND		-20	20	μA
t _R , t _F	Input Transition Time		10	ns	
C _{IN}	Input Pin Capacitance ¹		20	pF	
C _{CLK}	CLK Pin Capacitance ¹		20	pF	
V _{MEAS}	Trip point for Input buffers and Measuring point for Output buffers		2.5	V	
IV Curve	Can be derived from the IBIS model on the web. ²				

Notes:

1. Absolute maximum pin capacitance, which includes package and I/O input capacitance.
2. The IBIS model can be found at www.actel.com/techdocs/models/libis.html.

Timing Characteristics

Table 2-14 • RT54SX32S 5V CMOS I/O Module
Worst-Case Military Conditions V_{CCA} = 2.25V, V_{CCI} = 4.5V, T_J = 125°C, Radiation Level = 0 krad (Si)

Parameter	Description	'-1' Speed		'Std.' Speed		Units
		Min.	Max.	Min.	Max.	
5V CMOS Output Module Timing						
t _{INYH}	Input Data Pad-to-Y High		0.7		0.9	ns
t _{INYL}	Input Data Pad-to-Y Low		1.1		1.3	ns
t _{DLH}	Data-to-Pad Low to High		3.4		4.0	ns
t _{DHL}	Data-to-Pad High to Low		3.6		4.2	ns
t _{DHLS}	Data-to-Pad High to Low – low slew		8.7		10.3	ns
t _{ENZL}	Enable-to-Pad, Z to Low		2.3		2.8	ns
t _{DENZLS}	Enable-to-Pad, Z to Low – low slew		8.8		10.4	ns
t _{ENZH}	Enable-to-Pad, Z to High		3.6		4.2	ns
t _{ENLZ}	Enable-to-Pad, Low to Z		4.5		5.3	ns
t _{ENHZ}	Enable-to-Pad, High to Z		3.4		4.0	ns
d _{TLH}	Delta Delay vs. Load Low to High		0.036		0.046	ns/pF
d _{THL}	Delta Delay vs. Load High to Low		0.029		0.038	ns/pF
d _{THLS}	Delta Delay vs. Load High to Low – low slew		0.049		0.064	ns/pF

Note: Output delays based on 35 pF loading.

Table 2-15 • RT54SX72S 5V CMOS I/O Module

 Worst-Case Military Conditions $V_{CCA} = 2.25V$, $V_{CCI} = 4.5V$, $T_J = 125^{\circ}C$, Radiation Level = 0 krad (Si)

Parameter	Description	'-1' Speed		'Std.' Speed		Units
		Min.	Max.	Min.	Max.	
5V CMOS Output Module Timing						
t_{INYH}	Input Data Pad-to-Y High		0.7		0.9	ns
t_{INYL}	Input Data Pad-to-Y Low		0.0		0.0	ns
t_{DLH}	Data-to-Pad Low to High		3.6		4.2	ns
t_{DHL}	Data-to-Pad High to Low		3.8		4.5	ns
t_{DHLS}	Data-to-Pad High to Low – low slew		9.2		10.8	ns
t_{ENZL}	Enable-to-Pad, Z to Low		2.3		2.8	ns
t_{DENZLS}	Enable-to-Pad, Z to Low – low slew		8.8		10.4	ns
t_{ENZH}	Enable-to-Pad, Z to High		3.8		4.5	ns
t_{ENLZ}	Enable-to-Pad, Low to Z		4.5		5.3	ns
t_{ENHZ}	Enable-to-Pad, High to Z		3.6		4.2	ns
d_{TLH}	Delta Delay vs. Load Low to High		0.036		0.046	ns/pF
d_{THL}	Delta Delay vs. Load High to Low		0.029		0.038	ns/pF
d_{THLS}	Delta Delay vs. Load High to Low – low slew		0.049		0.064	ns/pF

Note: Output delays based on 35 pF loading.

5V PCI

The RTSX-S family supports 5V PCI and is compliant with the PCI Local Bus Specification Rev. 2.1.

Table 2-16 • 5V PCI DC Specifications

Symbol	Parameter	Condition	Min.	Max.	Units
V _{CCA}	Supply Voltage for Array		2.25	2.75	V
V _{CCI}	Supply Voltage for I/Os		4.5	5.5	V
V _{IH}	Input High Voltage ¹		2.0	V _{CCI} + 0.5	V
V _{IL}	Input Low Voltage ¹		-0.5	0.8	V
I _{IH}	Input High Leakage Current	V _{IN} = 2.75		70	μA
I _{IL}	Input Low Leakage Current	V _{IN} = 0.5		-70	μA
V _{OH}	Output High Voltage	I _{OUT} = -2 mA	2.4		V
V _{OL}	Output Low Voltage ²	I _{OUT} = 3 mA, 6 mA		0.55	V
C _{IN}	Input Pin Capacitance ³			10	pF
C _{CLK}	CLK Pin Capacitance		5	12	pF
V _{MEAS}	Trip Point for Input Buffers and Measuring Point for Output Buffers		1.5		V

Notes:

1. Input leakage currents include hi-Z output leakage for all bidirectional buffers with tristate outputs.
2. Signals without pull-up resistors must have 3 mA low output current. Signals requiring pull-up must have 6 mA; the latter include, FRAME#, IRDY#, TRDY#, DEVSEL#, STOP#, SERR#, PERR#, LOCK#, and, when used AD[63::32], C/BE[7::4]#, PAR64, REQ64#, and ACK64#.
3. Absolute maximum pin capacitance for a PCI input is 10 pF (except for CLK) with an exception granted to motherboard-only devices, which could be up to 16 pF in order to accommodate PGA packaging. This mean that components for expansion boards need to use alternatives to ceramic PGA packaging (i.e., PBGA, PQFP, SGA, etc.).

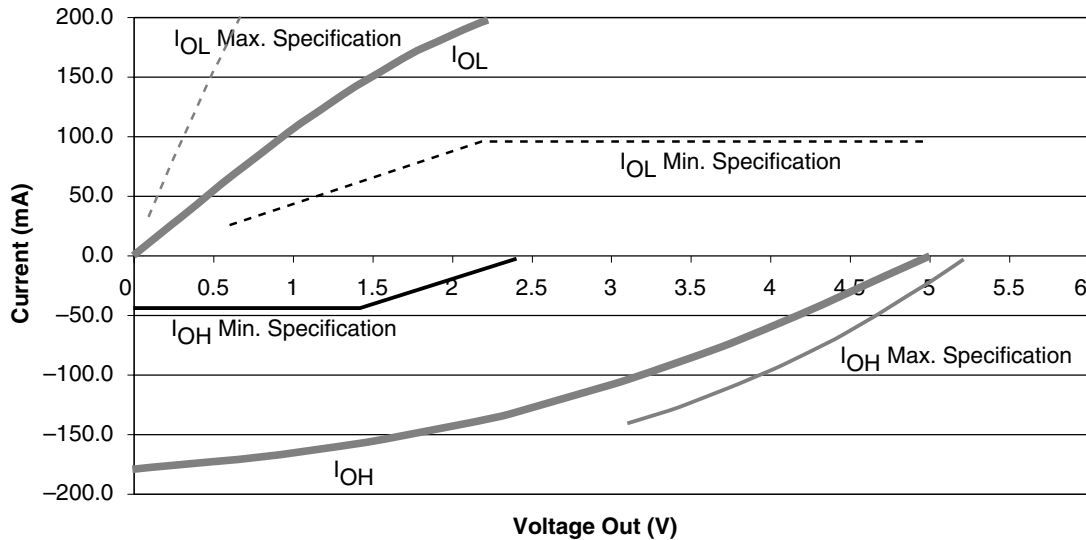


Figure 2-7 • 5V PCI V/I Curve for RTSX-S

Equation A

$$I_{OH} = 11.9 * (V_{OUT} - 5.25) * (V_{OUT} + 2.45)$$

for V_{CCI} > V_{OUT} > 3.1V

Equation B

$$I_{OL} = 78.5 * V_{OUT} * (4.4 - V_{OUT})$$

for 0V < V_{OUT} < 0.71V

Table 2-17 • 5V PCI AC Specifications

Symbol	Parameter	Condition	Min.	Max.	Units
$I_{OH(AC)}$	Switching Current High	$0 < V_{OUT} < 1.4$ ¹	-44		mA
		$1.4 < V_{OUT} < 2.4$ ^{1, 2}	$(-44 + (V_{OUT} - 1.4)/0.024)$		mA
		$3.1 < V_{OUT} < V_{CCI}$ ^{1, 3}		"Equation A" on page 2-16	
	(Test Point)	$V_{OUT} = 3.1$ ³		-142	mA
$I_{OL(AC)}$	Switching Current Low	$V_{OUT} = 2.2$ ¹	95		mA
		$2.2 > V_{OUT} > 0.55$ ¹	$(V_{OUT}/0.023)$		mA
		$0.71 > V_{OUT} > 0$ ^{1, 3}		"Equation B" on page 2-16	
	(Test Point)	$V_{OUT} = 0.71$		206	mA
I_{CL}	Low Clamp Current	$-5 < V_{IN} \leq -1$	$-25 + (V_{IN} + 1)/0.015$		mA
$slew_R$	Output Rise Slew Rate	0.4V to 2.4V load ⁴	1	5	V/ns
$slew_F$	Output Fall Slew Rate	2.4V to 0.4V load ⁴	1	5	V/ns

Notes:

1. Refer to the V_{IL} curves in Figure 2-7 on page 2-16. Switching current characteristics for REQ# and GNT# are permitted to be one half of that specified here; i.e., half size output drivers may be used on these signals. This specification does not apply to CLK and RST#, which are system outputs. The "Switching Current High" specification is not relevant to SERR#, INTA#, INTB#, INTC#, and INTD#, which are open drain outputs.
2. Note that this segment of the minimum current curve is drawn from the AC drive point directly to the DC drive point rather than toward the voltage rail (as is done in the pull-down curve). This difference is intended to allow for an optional N-channel pull-up.
3. Maximum current requirements must be met as drivers pull beyond the last step voltage. Equations defining these maximums (A and B) are provided with the respective curves in Figure 2-7 on page 2-16. The equation defined maximum should be met by the design. In order to facilitate component testing, a maximum current test point is defined for each side of the output driver.
4. This parameter is to be interpreted as the cumulative edge rate across the specified range, rather than the instantaneous rate at any point within the transition range. The specified load is optional; i.e., the designer may elect to meet this parameter with an unloaded output per revision 2.0 of the PCI Local Bus Specification (Figure 2-8). However, adherence to both the maximum and minimum parameters is now required (the maximum is no longer simply a guideline). Since adherence to the maximum slew rate was not required prior to revision 2.1 of the specification, there may be components in the market that have faster edge rates; therefore, motherboard designers must bear in mind that rise and fall times faster than this specification could occur and should ensure that signal integrity modeling accounts for this. Rise slew rate does not apply to open drain outputs.

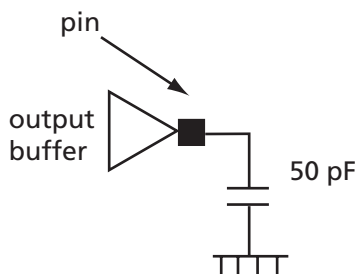


Figure 2-8 • 5V PCI Output Loading

Timing Characteristics

Table 2-18 • RT54SX32S 5V PCI I/O Module
 Worst-Case Military Conditions $V_{CCA} = 2.25V$, $V_{CCI} = 4.5V$, $T_J = 125^\circ C$, Radiation Level = 0 krad (Si)

Parameter	Description	'-1' Speed		'Std.' Speed		Units
		Min.	Max.	Min.	Max.	
5V PCI Output Module Timing						
t_{INYH}	Input Data Pad-to-Y High		0.7		0.9	ns
t_{INYL}	Input Data Pad-to-Y Low		1.1		1.3	ns
t_{DLH}	Data-to-Pad Low to High		3.4		4.0	ns
t_{DHL}	Data-to-Pad High to Low		4.1		4.8	ns
t_{ENZL}	Enable-to-Pad, Z to Low		2.8		3.3	ns
t_{ENZH}	Enable-to-Pad, Z to High		3.4		4.0	ns
t_{ENLZ}	Enable-to-Pad, Low to Z		4.9		5.8	ns
t_{ENHZ}	Enable-to-Pad, High to Z		4.1		4.8	ns
d_{TLH}	Delta Delay vs. Load Low to High		0.036		0.046	ns/pF
d_{THL}	Delta Delay vs. Load High to Low		0.029		0.038	ns/pF

Note: Output delays based on 50 pF loading.

Table 2-19 • RT54SX72S 5V PCI I/O Module
 Worst-Case Military Conditions $V_{CCA} = 2.25V$, $V_{CCI} = 4.5V$, $T_J = 125^\circ C$, Radiation Level = 0 krad (Si)

Parameter	Description	'-1' Speed		'Std.' Speed		Units
		Min.	Max.	Min.	Max.	
5V PCI Output Module Timing						
t_{INYH}	Input Data Pad-to-Y High		0.7		0.9	ns
t_{INYL}	Input Data Pad-to-Y Low		1.1		1.3	ns
t_{DLH}	Data-to-Pad Low to High		3.5		4.1	ns
t_{DHL}	Data-to-Pad High to Low		4.3		5.1	ns
t_{ENZL}	Enable-to-Pad, Z to Low		2.8		3.3	ns
t_{ENZH}	Enable-to-Pad, Z to High		3.5		4.1	ns
t_{ENLZ}	Enable-to-Pad, Low to Z		4.9		5.8	ns
t_{ENHZ}	Enable-to-Pad, High to Z		4.3		5.1	ns
d_{TLH}	Delta Delay vs. Load Low to High		0.036		0.046	ns/pF
d_{THL}	Delta Delay vs. Load High to Low		0.029		0.038	ns/pF

Note: Output delays based on 50 pF loading.

3.3V PCI

The RTSX-S family supports 3.3V PCI and is compliant with the PCI Local Bus Specification Rev. 2.1.

Table 2-20 • 3.3 V PCI DC Specifications

Symbol	Parameter	Condition	Min.	Max.	Units
V _{CCA}	Supply Voltage for Array		2.25	2.75	V
V _{CCI}	Supply Voltage for I/Os		3.0	3.6	V
V _{IH}	Input High Voltage		0.5V _{CCI}	V _{CCI} + 0.5	V
V _{IL}	Input Low Voltage		-0.5	0.3V _{CCI}	V
I _{IPU}	Input Pull-up Voltage ¹		0.7V _{CCI}		V
I _{IL} /I _{IH}	Input Leakage Current ²	0 < V _{IN} < V _{CCI}		±20	µA
V _{OH}	Output High Voltage	I _{OUT} = -500 µA	0.9V _{CCI}		V
V _{OL}	Output Low Voltage	I _{OUT} = 1500 µA		0.1V _{CCI}	V
C _{IN}	Input Pin Capacitance ³			10	pF
C _{CLK}	CLK Pin Capacitance		5	12	pF
V _{MEAS}	Trip point for Input buffers		0.4 * V _{CCI}		V
	Output buffer measuring point - rising edge		0.285 * V _{CCI}		
	Output buffer measuring point - falling edge		0.615 * V _{CCI}		

Notes:

1. This specification should be guaranteed by design. It is the minimum voltage to which pull-up resistors are calculated to pull a floated network. Applications sensitive to static power utilization should assure that the input buffer is conducting minimum current at this input V_{IN}.
2. Input leakage currents include hi-Z output leakage for all bidirectional buffers with tristate outputs.
3. Absolute maximum pin capacitance for a PCI input is 10 pF (except for CLK) with an exception granted to motherboard-only devices, which could be up to 16 pF, in order to accommodate PGA packaging. This means that components for expansion boards would need to use alternatives to ceramic PGA packaging.

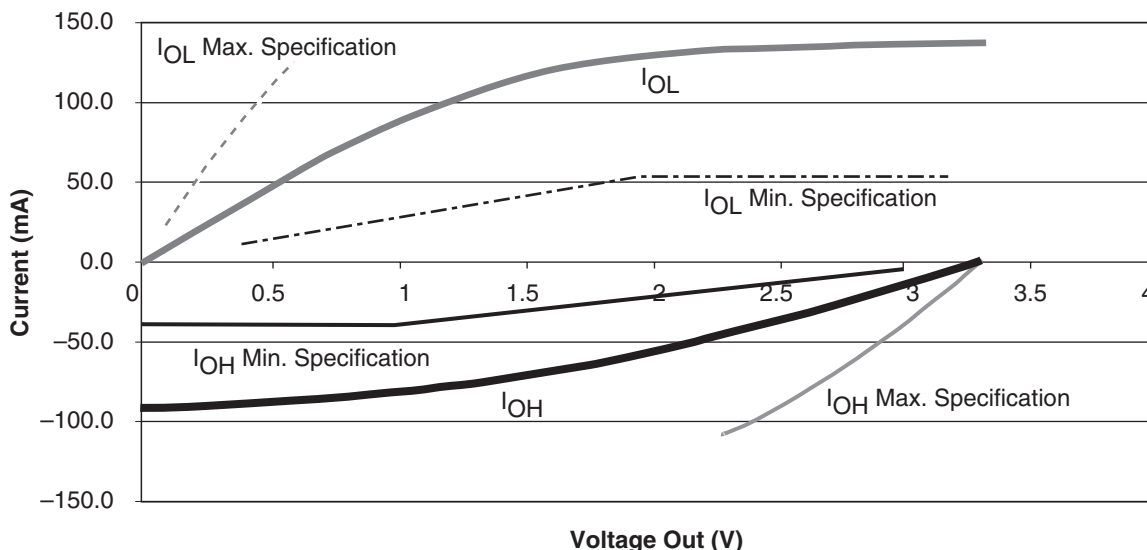


Figure 2-9 • 3.3V PCI V/I Curve for the RTSX-S Family

Equation C

$$I_{OH} = (98.0/V_{CCI}) * (V_{OUT} - V_{CCI}) * (V_{OUT} + 0.4V_{CCI})$$

for V_{CCI} > V_{OUT} > 0.7 V_{CCI}

Equation D

$$I_{OL} = (256/V_{CCI}) * V_{OUT} * (V_{CCI} - V_{OUT})$$

for 0V < V_{OUT} < 0.18 V_{CCI}

Table 2-21 • 3.3V PCI AC Specifications

Symbol	Parameter	Condition	Min.	Max.	Units
$I_{OH(AC)}$	Switching Current High	$0 < V_{OUT} \leq 0.3V_{CC1}^1$	$-12V_{CC1}$		mA
		$0.3V_{CC1} \leq V_{OUT} < 0.9V_{CC1}^1$	$(-17.1 + (V_{CC1} - V_{OUT}))$		mA
		$0.7V_{CC1} < V_{OUT} < V_{CC1}^{1,2}$		"Equation C" on page 2-19	
	(Test Point)	$V_{OUT} = 0.7V_{CC}^2$		$-32V_{CC1}$	mA
$I_{OL(AC)}$	Switching Current Low	$V_{CC1} > V_{OUT} \geq 0.6V_{CC1}^1$	$16V_{CC1}$		mA
		$0.6V_{CC1} > V_{OUT} > 0.1V_{CC1}^1$	$(26.7V_{OUT})$		mA
		$0.18V_{CC1} > V_{OUT} > 0^{1,2}$		"Equation D" on page 2-19	
	(Test Point)	$V_{OUT} = 0.18V_{CC}^2$		$38V_{CC1}$	mA
I_{CL}	Low Clamp Current	$-3 < V_{IN} \leq -1$	$-25 + (V_{IN} + 1)/0.015$		mA
I_{CH}	High Clamp Current	$V_{CC1} + 4 > V_{IN} \geq V_{CC1} + 1$	$25 + (V_{IN} - V_{CC1} - 1)/0.015$		mA
$slew_R$	Output Rise Slew Rate	$0.2V_{CC1}$ to $0.6V_{CC1}$ load ³	1	4	V/ns
$slew_F$	Output Fall Slew Rate	$0.6V_{CC1}$ to $0.2V_{CC1}$ load ³	1	4	V/ns

Notes:

1. Refer to the V/I curves in Figure 2-9 on page 2-19. Switching current characteristics for REQ# and GNT# are permitted to be one half of that specified here; i.e., half-size output drivers may be used on these signals. This specification does not apply to CLK and RST#, which are system outputs. The "Switching Current High" specification is not relevant to SERR#, INTA#, INTB#, INTC#, and INTD#, which are open drain outputs.
2. Maximum current requirements must be met as drivers pull beyond the last step voltage. Equations defining these maximums (C and D) are provided with the respective curves in Figure 2-9 on page 2-19. The equation defined maximum should be met by the design. In order to facilitate component testing, a maximum current test point is defined for each side of the output driver.
3. This parameter is to be interpreted as the cumulative edge rate across the specified range, rather than the instantaneous rate at any point within the transition range. The specified load is optional (Figure 2-10); i.e., the designer may elect to meet this parameter with an unloaded output per the latest revision of the PCI Local Bus Specification. However, adherence to both maximum and minimum parameters is required (the maximum is no longer simply a guideline). Rise slew rate does not apply to open drain outputs.

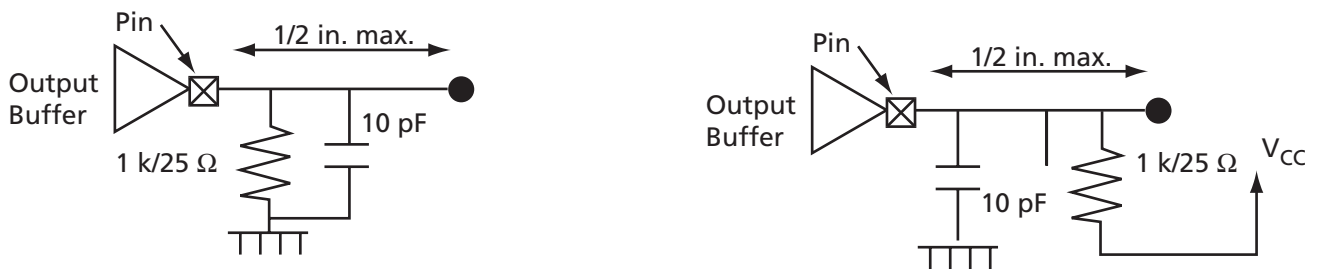


Figure 2-10 • 3.3V PCI Output Loading

Timing Characteristics

Table 2-22 • RT545X325 3.3V PCI I/O Module

Worst-Case Military Conditions $V_{CCA} = 2.25V$, $V_{CCI} = 3.0V$, $T_J = 125^{\circ}C$, Radiation Level = 0 krad (Si)

Parameter	Description	'-1' Speed		'Std.' Speed		Units
		Min.	Max.	Min.	Max.	
3.3V PCI Output Module Timing						
t_{INYH}	Input Data Pad-to-Y High		0.8		0.9	ns
t_{INYL}	Input Data Pad-to-Y Low		0.9		1.1	ns
t_{DLH}	Data-to-Pad Low to High		3.0		3.5	ns
t_{DHL}	Data-to-Pad High to Low		3.0		3.5	ns
t_{ENZL}	Enable-to-Pad, Z to Low		2.1		2.5	ns
t_{ENZH}	Enable-to-Pad, Z to High		3.0		3.5	ns
t_{ENLZ}	Enable-to-Pad, Low to Z		2.7		3.9	ns
t_{ENHZ}	Enable-to-Pad, High to Z		3.0		3.5	ns
d_{TLH}	Delta Delay vs. Load Low to High		0.067		0.085	ns/pF
d_{THL}	Delta Delay vs. Load High to Low		0.031		0.040	ns/pF

Note: Delays based on 10 pF loading and 25 Ω resistance.

Table 2-23 • RT545X725 3.3V PCI I/O Module

Worst-Case Military Conditions $V_{CCA} = 2.25V$, $V_{CCI} = 3.0V$, $T_J = 125^{\circ}C$, Radiation Level = 0 krad (Si)

Parameter	Description	'-1' Speed		'Std.' Speed		Units
		Min.	Max.	Min.	Max.	
3.3V PCI Output Module Timing						
t_{INYH}	Input Data Pad-to-Y High		0.7		0.8	ns
t_{INYL}	Input Data Pad-to-Y Low		0.9		1.1	ns
t_{DLH}	Data-to-Pad Low to High		2.8		3.3	ns
t_{DHL}	Data-to-Pad High to Low		2.8		3.3	ns
t_{ENZL}	Enable-to-Pad, Z to Low		2.1		2.5	ns
t_{ENZH}	Enable-to-Pad, Z to High		2.8		3.3	ns
t_{ENLZ}	Enable-to-Pad, Low to Z		2.7		3.9	ns
t_{ENHZ}	Enable-to-Pad, High to Z		2.8		3.3	ns
d_{TLH}	Delta Delay vs. Load Low to High		0.067		0.085	ns/pF
d_{THL}	Delta Delay vs. Load High to Low		0.031		0.040	ns/pF

Note: Delays based on 10 pF loading and 25 Ω resistance.

Module Specifications

C-Cell

Introduction

The C-cell is one of the two logic module types in the RTSX-S architecture. It is the combinatorial logic resource in the device. The RTSX-S architecture uses the same C-cell configuration as found in the SX and SX-A families.

The C-cell features the following (Figure 2-11):

- Eight-input MUX (data: D0-D3, select: A0, A1, B0, B1). User signals can be routed to any one of these inputs. C-cell inputs (A0, A1, B0, B1) can be tied to one of the either the routed or quad clocks (CLKA/B or QCLKA/B/C/D).

- Inverter (DB input) can be used to drive a complement signal of any of the inputs to the C-cell.
- A hardwired connection (direct connect) to the associated R-cell with a signal propagation time of less than 0.1 ns.

This layout of the C-cell enables the implementation of over 4,000 functions of up to five bits. For example, two C-cells can be used together to implement a four-input XOR function in a single cell delay.

The C-cell configuration is handled automatically for the user with Actel's extensive macro library (please see Actel's *Antifuse Macro Library Guide* for a complete listing of available RTSX-S macros).

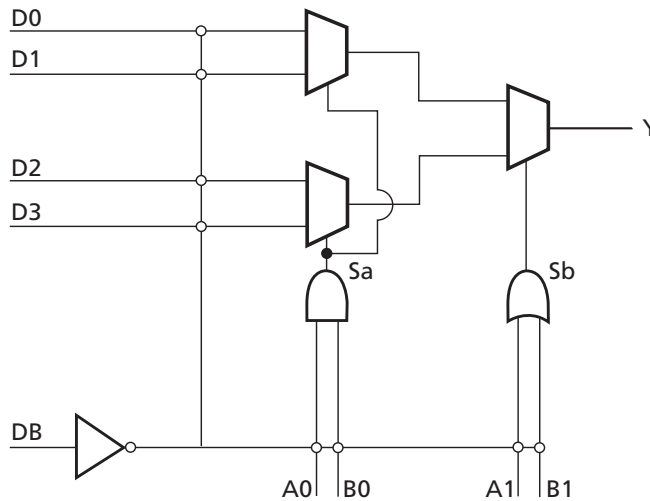


Figure 2-11 • C-Cell

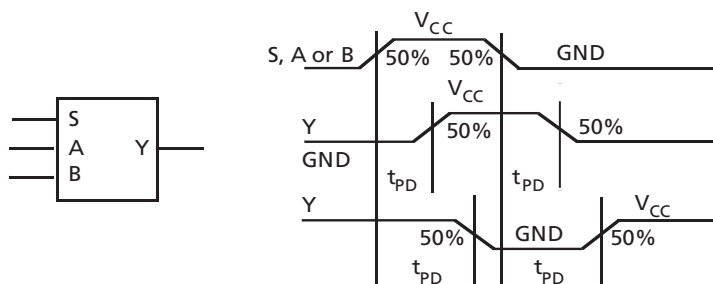


Figure 2-12 • C-Cell Timing Model and Waveforms

Timing Characteristics

Table 2-24 • C-Cell

Worst-Case Military Conditions $V_{CCA} = 2.25V$, $V_{CCI} = 3.0V$, $T_J = 125^\circ C$, Radiation Level = 0 krad (Si)

Parameter	Description	'-1' Speed		'Std.' Speed		Units
		Min.	Max.	Min.	Max.	
C-Cell Propagation Delays						
t_{PD}	Internal Array Module		1.2		1.4	ns

Note: For dual-module macros, use $t_{PD} + t_{RD1} + t_{PDn}$, $t_{RCO} + t_{RD1} + t_{PDn}$ or $t_{PD1} + t_{RD1} + t_{SUD}$, whichever is appropriate.

R-Cell

Introduction

The R-cell, the sequential logic resource of RTSX-S devices, is the second logic module type in the RTSX-S family architecture. The RTAX-S R-cell is an SEU-enhanced version of the SX and SX-A R-cell (Figure 2-13).

The main features of the R-cell include the following:

- Direct connection to the adjacent C-cell through the hardwired connection DCIN. DCIN is driven by the DCOUT of an adjacent C-cell via the Direct-Connect routing resource, providing a connection with less than 0.1 ns of routing delay.
- The R-cell can be used as a standalone flip-flop. It can be driven by any other C-cell or I/O modules through the regular routing structure (using DIN as a routable data input). This gives the option of using it as a 2:1 MUXed flip-flop as well.
- Independent active-low asynchronous clear (CLR_B).
- Independent active-low asynchronous preset (PSET_B). If both CLR_B and PSET_B are Low, CLR_B has higher priority.

- Clock can be driven by any of the following (CKP input selects clock polarity):
 - The high-performance, hardwired, fast clock (HCLK)
 - One of the two routed clocks (CLKA/B)
 - One of the four quad clocks (QCLKA/B/C/D) in the case of the RT54SX72S
 - User signals
- S0, S1, PSET_B, and CLR_B can be driven by CLKA/B, QCLKA/B/C/D (for the RT54SX72S) or user signals.
- Routed Data Input and S1 can be driven by user signals.

As with the C-cell, the configuration of the R-cell to perform various functions is handled automatically for the user through Actel's extensive macro library (please see Actel's *Macro Library Guide* for a complete listing of available RTAX-S macros).

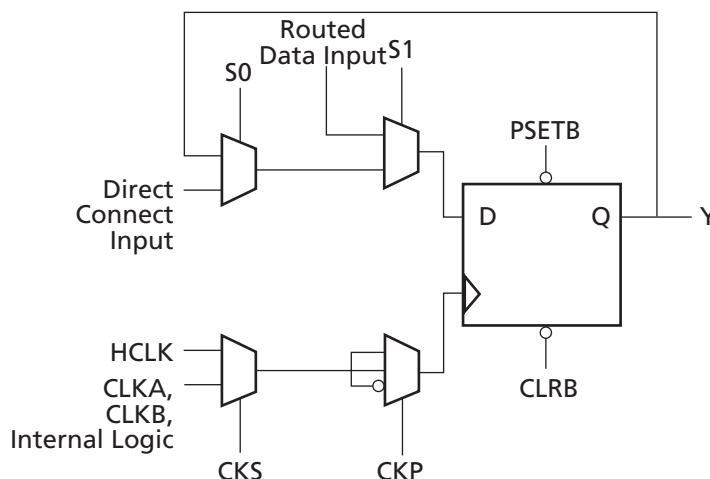


Figure 2-13 • R-Cell

SEU-Hardened D Flip-Flop

In order to meet the stringent SEU requirements of a LET threshold greater than 40MeV-cm²/gm, the internal design of the R-cell was modified without changing the functionality of the cell.

Figure 2-14 is a simplified representation of how the D flip-flop in the R-cell is implemented in the SX-A architecture. The flip-flop consists of a master and a slave latch gated by opposite edges of the clock. Each latch is constructed by feeding back the output to the input stage. The potential problem in a space environment is that either of the latches can change state when hit by a particle with enough energy.

To achieve the SEU requirements, the D flip-flop in the RTSX-S R-cell is enhanced (Figure 2-15). Both the master and slave "latches" are each implemented with three latches. The asynchronous self-correcting feedback paths

of each of the three latches is voted with the outputs of the other two latches. If one of the three latches is struck by an ion and starts to change state, the voting with the other two latches prevents the change from feeding back and permanently latching. Care was taken in the layout to ensure that a single ion strike could not affect more than one latch. Figure 2-16 shows a simplified schematic of the test circuitry that has been added to test the functionality of all the components of the flip-flop. The inputs to each of the three latches are independently controllable so the voting circuitry in the asynchronous self-correcting feedback paths can be tested exhaustively. This testing is performed on an unprogrammed array during wafer sort, final test, and post-burn-in test. This test circuitry cannot be used to test the flip-flops once the device has been programmed.

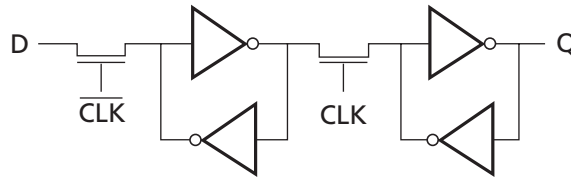


Figure 2-14 • SX-A R-Cell Implementation of a D Flip-Flop

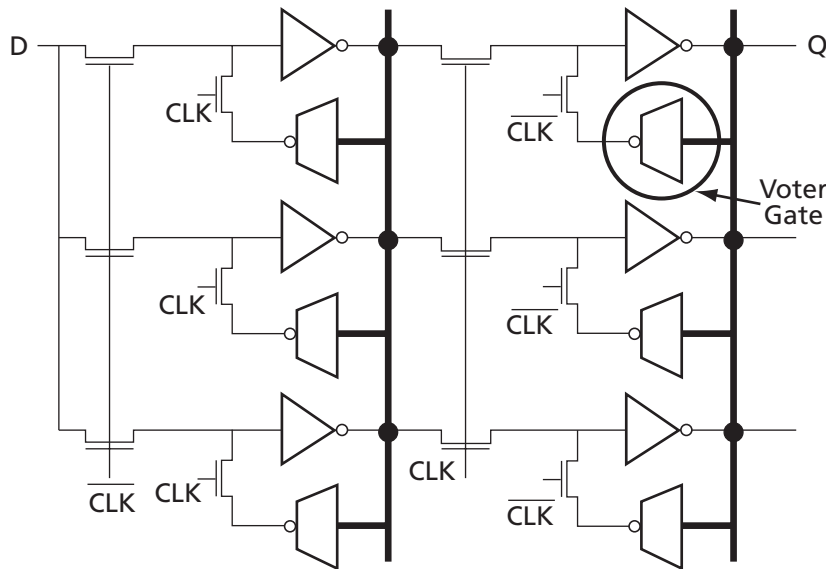


Figure 2-15 • RTSX-S R-Cell Implementation of D Flip-Flop Using Voter Gate Logic

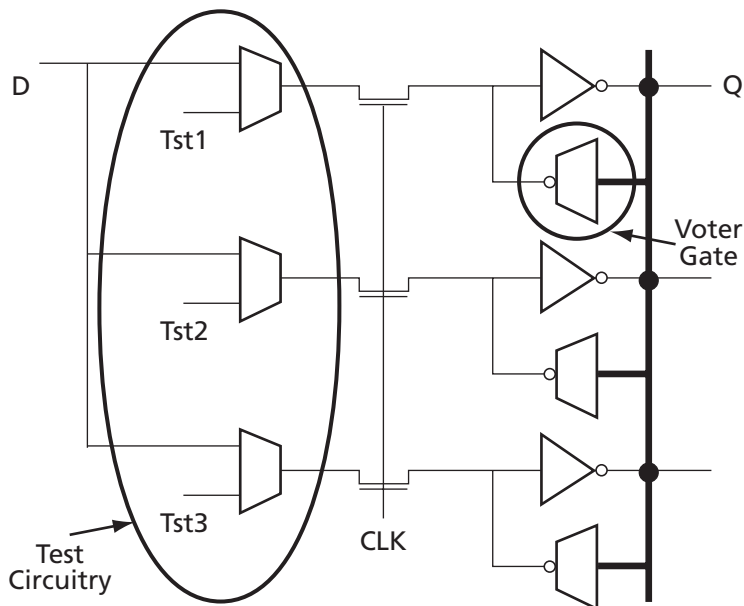


Figure 2-16 • R-Cell Implementation – Test Circuitry

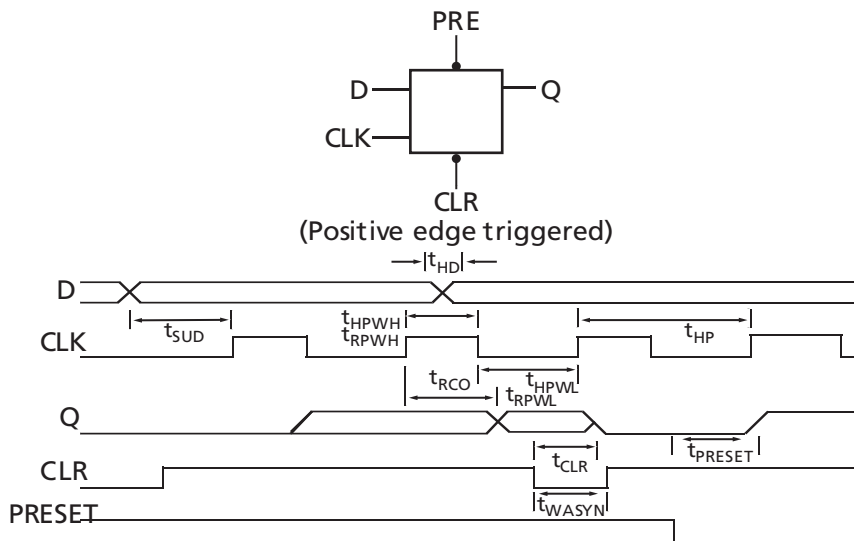


Figure 2-17 • R-Cell Tiing Models and Waveforms

Timing Characteristics

Table 2-25 • R-Cell

Worst-Case Military Conditions $V_{CCA} = 2.25V$, $V_{CCI} = 3.0V$, $T_J = 125^{\circ}C$, Radiation Level = 0 krad (Si)

Parameter	Description	'-1' Speed		'Std.' Speed		Units
		Min.	Max.	Min.	Max.	
R-Cell Propagation Delays						
t_{RCO}	Sequential Clock-to-Q		1.0		1.2	ns
t_{CLR}	Asynchronous Clear-to-Q		0.8		1.0	ns
t_{PRESET}	Asynchronous Preset-to-Q		1.1		1.3	ns
t_{SUD}	Flip-Flop Data Input Set-Up		0.8		1.0	ns
t_{HD}	Flip-Flop Data Input Hold		0.0		0.0	ns
t_{WASYN}	Asynchronous Pulse Width		2.8		3.3	ns
t_{RECSYN}	Asynchronous Recovery Time		0.7		0.8	ns
t_{HASYN}	Asynchronous Hold Time		0.7		0.8	ns

Routing Specifications

Routing Resources

The routing structure found in RTSX-S devices enables any logic module to be connected to any other logic module in the device while retaining high performance. There are multiple paths and routing resources that can be used to route one logic module to another, both within a SuperCluster and elsewhere on the chip.

There are three primary types of routing within the RTSX-S architecture: DirectConnect, FastConnect, and Vertical and Horizontal Routing.

DirectConnect

DirectConnects provide a high-speed connection between an R-cell and its adjacent C-cell ([Figure 1-3](#) and [Figure 1-4 on page 1-4](#)). This connection can be made from the Y output of the C-cell to the DirectConnect input of the R-cell by configuring of the S0 line of the R-cell. This provides a connection that does not require an antifuse and has a delay of less than 0.1 ns.

FastConnect

For high-speed routing of logic signals, FastConnects can be used to build a short distance connection using a single antifuse ([Figure 1-3](#) and [Figure 1-4 on page 1-4](#)). FastConnects provide a maximum delay of 0.4 ns. The outputs of each logic module connect directly to the output tracks within a SuperCluster. Signals on the output tracks can then be routed through a single antifuse connection to drive the inputs of logic modules either within one SuperCluster or in the SuperCluster immediately below.

Horizontal and Vertical Routing

In addition to DirectConnect and FastConnect, the architecture makes use of two globally-oriented routing resources known as segmented routing and high-drive routing. Actel's segmented routing structure provides a variety of track lengths for extremely fast routing between SuperClusters. The exact combination of track lengths and antifuses within each path is chosen by the 100-percent-automatic place-and-route software to minimize signal propagation delays.

Critical Nets and Typical Nets

Propagation delays are expressed only for typical nets, which are used for the initial design performance evaluation. Critical net delays can then be applied to the most time-critical paths. Critical nets are determined by net property assignment prior to placement and routing. Up to six percent of the nets in a design may be designated as critical, while 90 percent of the nets in a design are typical.

Long Tracks

Some nets in the design use long tracks. Long tracks are special routing resources that span multiple rows, columns, or modules. Long tracks employ three and sometimes five antifuse connections. This increases capacitance and resistance results in longer net delays for macros connected to long tracks. Typically up to six percent of nets in a fully utilized device require long tracks. Long tracks can cause a delay from 4.0 ns to 8.4 ns. This additional delay is represented statistically in higher fanout routing delays in the "[Timing Characteristics](#)" on [page 2-28](#).

Timing Characteristics

Table 2-26 • RT54SX32S

Worst-Case Military Conditions $V_{CCA} = 2.25V$, $V_{CCI} = 3.0V$, $T_J = 125^{\circ}C$, Radiation Level = 0 krad (Si)

		'-1' Speed		'Std.' Speed		Units
Parameter	Description	Min.	Max.	Min.	Max.	
Predicted Routing Delays						
t_{DC}	FO=1 Routing Delay, DirectConnect		0.1		0.1	ns
t_{FC}	FO=1 Routing Delay, FastConnect		0.4		0.4	ns
t_{RD1}	FO=1 Routing Delay		0.8		0.9	ns
t_{RD2}	FO=2 Routing Delay		1.0		1.2	ns
t_{RD3}	FO=3 Routing Delay		1.4		1.6	ns
t_{RD4}	FO=4 Routing Delay		1.5		1.8	ns
t_{RD8}	FO=8 Routing Delay		2.9		3.4	ns
t_{RD12}	FO=12 Routing Delay		4.0		4.7	ns

Note: Routing delays are for typical designs across worst-case operating conditions. These parameters should be used for estimating device performance. Post-route timing analysis or simulation is required to determine actual worst-case performance.

Table 2-27 • RT54SX72S

Worst-Case Military Conditions $V_{CCA} = 2.25V$, $V_{CCI} = 3.0V$, $T_J = 125^{\circ}C$, Radiation Level = 0 krad (Si)

		'-1' Speed		'Std.' Speed		Units
Parameter	Description	Min.	Max.	Min.	Max.	
Predicted Routing Delays						
t_{DC}	FO=1 Routing Delay, DirectConnect		0.1		0.1	ns
t_{FC}	FO=1 Routing Delay, FastConnect		0.4		0.4	ns
t_{RD1}	FO=1 Routing Delay		0.9		1.0	ns
t_{RD2}	FO=2 Routing Delay		1.2		1.4	ns
t_{RD3}	FO=3 Routing Delay		1.8		2.0	ns
t_{RD4}	FO=4 Routing Delay		1.9		2.3	ns
t_{RD8}	FO=8 Routing Delay		3.7		4.3	ns
t_{RD12}	FO=12 Routing Delay		5.1		6.0	ns

Note: Routing delays are for typical designs across worst-case operating conditions. These parameters should be used for estimating device performance. Post-route timing analysis or simulation is required to determine actual worst-case performance.

Global Resources

One of the most important aspects of any FPGA architecture is its global resource or clock structure. The RTSX-S family provides flexible and easy-to-use global resources without the limitations normally found in other FPGA architectures.

The RTSX-S architecture contains three types of global resources, the HCLK (hardwired clock) and CLK (routed clock) and in the RT54SX72S, QCLK (quadrant clock). Each RTSX-S device is provided with one HCLK and two CLKS. The RT54SX72S has an additional four QCLKs.

Hardwired Clock

The hardwired (HCLK) is a low-skew network that can directly drive the clock inputs of all R-cells in the device with no antifuse in the path. The HCLK is available everywhere on the chip.

Upon power-up of the RTSX-S device, four clock pulses must be detected on HCLK before the clock signal will be propagated to registers in the device.

Routed Clocks

The routed clocks (CLKA and CLKB) are low-skew networks that can drive the clock inputs of all R-cells in the device (logically equivalent to the HCLK). CLK has the added flexibility in that it can drive the S0 (Enable), S1, PSETB, and CLRB inputs of R-cells as well as any of the inputs of any C-cell in the device. This allows CLKS to be used not only as clocks but also for other global signals or high fanout nets. Both CLKS are available everywhere on the chip.

If CLKA or CLKB pins are not used or sourced from signals, then these pins must be set as Low or High on the board. They must not be left floating (except in RTSX72S, where these clocks can be configured as regular I/Os).

Quadrant Clocks

The RT54SX72S device provides four quadrant clocks (QCLKA, QCLKB, QCLKC, QCLKD) to the user, which can be sourced from external pins or from internal logic signals within the device. Each of these clocks can individually drive up to one full quadrant of the chip, or they can be grouped together to drive multiple quadrants (Figure 2-18). If QCLKs are not used as quadrant clocks, they can behave as regular I/Os. See Actel's application note [Using A54SX72A and RT54SX72S Quadrant Clocks](#) for more information.

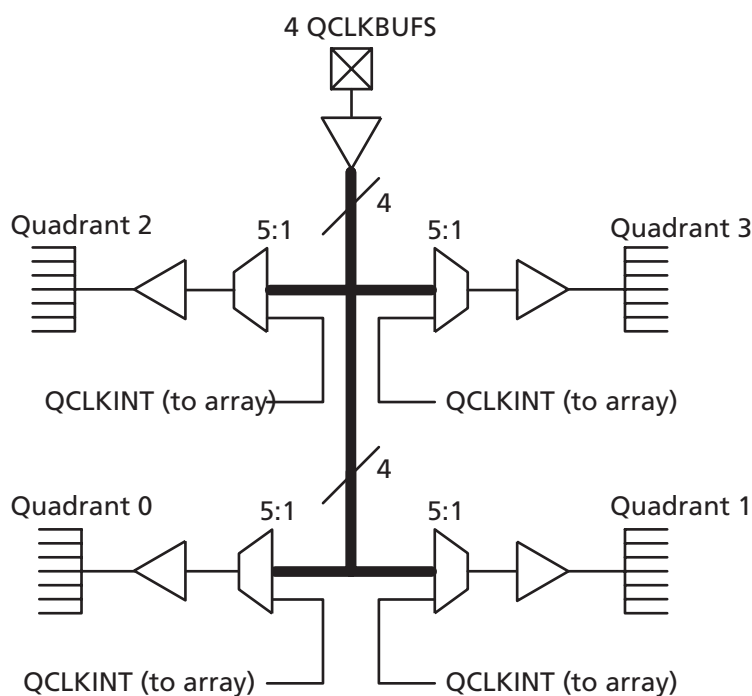


Figure 2-18 • RTSX-S QCLK Structure

Timing Characteristics

Table 2-28 • RT54SX325 at $V_{CC1} = 3.0V$
 Worst-Case Military Conditions $V_{CCA} = 2.25V$, $V_{CC1} = 3.0V$, $T_J = 125^{\circ}C$, Radiation Level = 0 krad (Si)

Parameter	Description	'-1' Speed		'Std.' Speed		Units
		Min.	Max.	Min.	Max.	
Dedicated (Hardwired) Array Clock Network						
t_{HCKH}	Pad to R-Cell Input Low to High		3.9		4.6	ns
t_{HCKL}	Pad to R-Cell Input High to Low		3.9		4.6	ns
t_{HPWH}	Minimum Pulse Width High	2.1		2.5		ns
t_{HPWL}	Minimum Pulse Width Low	2.1		2.5		ns
t_{HCKSW}	Maximum Skew		1.6		1.9	ns
t_{HP}	Minimum Period	4.2		5.0		ns
f_{HMAX}	Maximum Frequency		238		200	MHz
Routed Array Clock Networks						
t_{RCKH}	Pad to R-cell Input High to Low (Light Load)		4.2		4.9	ns
t_{RCHKL}	Pad to R-cell Input Low to High (Light Load)		3.9		4.6	ns
t_{RCKH}	Pad to R-cell Input Low to High (50% Load)		5.0		5.9	ns
t_{RCKL}	Pad to R-cell Input High to Low (50% Load)		4.3		5.1	ns
t_{RCKH}	Pad to R-cell Input Low to High (100% Load)		5.6		6.5	ns
t_{RCKL}	Pad to R-cell Input High to Low (100% Load)		4.9		5.7	ns
t_{RPWH}	Minimum Pulse Width High	2.1		2.5		ns
t_{RPWL}	Minimum Pulse Width Low	2.1		2.5		ns
t_{RCKSW}	Maximum Skew (Light Load)		2.8		3.3	ns
t_{RCKSW}	Maximum Skew (50% Load)		2.8		3.3	ns
t_{RCKSW}	Maximum Skew (100% Load)		2.8		3.3	ns
t_{RP}	Minimum Period	4.2		5.0		ns
f_{RMAX}	Maximum Frequency		238		200	MHz

Table 2-29 • RT54SX32S at $V_{CC1} = 4.5V$
Worst-Case Military Conditions $V_{CCA} = 2.25V$, $V_{CC1} = 4.5V$, $T_J = 125^{\circ}C$, Radiation Level = 0 krad (Si)

Parameter	Description	'-1' Speed		'Std.' Speed		Units
		Min.	Max.	Min.	Max.	
Dedicated (Hardwired) Array Clock Network						
t_{HCKH}	Pad to R-Cell Input Low to High		3.9		4.6	ns
t_{HCKL}	Pad to R-Cell Input High to Low		3.9		4.6	ns
t_{HPWH}	Minimum Pulse Width High	2.1		2.5		ns
t_{HPWL}	Minimum Pulse Width Low	2.1		2.5		ns
t_{HCKSW}	Maximum Skew		1.6		1.9	ns
t_{HP}	Minimum Period	4.2		5.0		ns
f_{HMAX}	Maximum Frequency		238		200	MHz
Routed Array Clock Networks						
t_{RCKH}	Pad to R-cell Input High to Low (Light Load)		3.9		4.6	ns
t_{RCKL}	Pad to R-cell Input Low to High (Light Load)		3.7		4.4	ns
t_{RCKH}	Pad to R-cell Input Low to High (50% Load)		4.7		5.6	ns
t_{RCKL}	Pad to R-cell Input High to Low (50% Load)		4.1		4.9	ns
t_{RCKH}	Pad to R-cell Input Low to High (100% Load)		5.3		6.2	ns
t_{RCKL}	Pad to R-cell Input High to Low (100% Load)		4.7		5.5	ns
t_{RPWH}	Minimum Pulse Width High	2.1		2.5		ns
t_{RPWL}	Minimum Pulse Width Low	2.1		2.5		ns
t_{RCKSW}	Maximum Skew (Light Load)		2.8		3.3	ns
t_{RCKSW}	Maximum Skew (50% Load)		2.8		3.3	ns
t_{RCKSW}	Maximum Skew (100% Load)		2.8		3.3	ns
t_{RP}	Minimum Period	4.2		5.0		ns
f_{RMAX}	Maximum Frequency		238		200	MHz

RTSX-S RadTolerant FPGAs

Table 2-30 • RT545X72S at $V_{CC1} = 3.0V$
 Worst-Case Military Conditions $V_{CCA} = 2.25V$, $V_{CC1} = 3.0V$, $T_J = 125^\circ C$, Radiation Level = 0 krad (Si)

Parameter	Description	'-1' Speed		'Std.' Speed		Units
		Min.	Max.	Min.	Max.	
Dedicated (Hardwired) Array Clock Network						
t_{HCKH}	Pad to R-cell Input Low to High		3.2		3.8	ns
t_{HCKL}	Pad to R-cell Input High to Low		3.5		4.1	ns
t_{HPWH}	Minimum Pulse Width High	2.7		3.2		ns
t_{HPWL}	Minimum Pulse Width Low	2.7		3.2		ns
t_{HCKSW}	Maximum Skew		2.7		3.1	ns
t_{HP}	Minimum Period	5.4		6.4		ns
f_{HMAX}	Maximum Frequency		185		156	MHz
Routed Array Clock Networks						
t_{RCKH}	Pad to R-cell Input Low to High (Light Load)		5.7		6.7	ns
t_{RCKL}	Pad to R-cell Input High to Low (Light Load)		6.5		7.7	ns
t_{RCKH}	Pad to R-cell Input Low to High (50% Load)		5.7		6.7	ns
t_{RCKL}	Pad to R-cell Input High to Low (50% Load)		6.5		7.7	ns
t_{RCKH}	Pad to R-cell Input Low to High (100% Load)		5.7		6.7	ns
t_{RCKL}	Pad to R-cell Input High to Low (100% Load)		6.5		7.7	ns
t_{RPWH}	Minimum Pulse Width High	2.7		3.2		ns
t_{RPWL}	Minimum Pulse Width Low	2.7		3.2		ns
t_{RCKSW}	Maximum Skew (Light Load)		5.1		6.0	ns
t_{RCKSW}	Maximum Skew (50% Load)		4.9		5.8	ns
t_{RCKSW}	Maximum Skew (100% Load)		4.9		5.8	ns
t_{RP}	Minimum Period	5.4		6.4		ns
f_{RMAX}	Maximum Frequency		185		156	MHz
Quadrant Array Clock Networks						
t_{QCKH}	Pad to R-cell Input Low to High (Light Load)		3.6		4.2	ns
t_{QCKL}	Pad to R-cell Input High to Low (Light Load)		3.6		4.2	ns
t_{QCKH}	Pad to R-cell Input Low to High (50% Load)		3.7		4.3	ns
t_{QCKL}	Pad to R-cell Input High to Low (50% Load)		3.9		4.5	ns
t_{QCKH}	Pad to R-cell Input Low to High (100% Load)		4.0		4.7	ns
t_{QCKL}	Pad to R-cell Input High to Low (100% Load)		4.1		4.8	ns
t_{QPWH}	Minimum Pulse Width High	2.7		3.2		ns
t_{QPWL}	Minimum Pulse Width Low	2.7		3.2		ns
t_{QCKSW}	Maximum Skew (Light Load)		0.6		0.7	ns
t_{QCKSW}	Maximum Skew (50% Load)		1.0		1.1	ns
t_{QCKSW}	Maximum Skew (100% Load)		1.0		1.1	ns
t_{QP}	Minimum Period	5.4		6.4		ns
f_{QMAX}	Maximum Frequency		185		156	MHz

Table 2-31 • RT545X725 at $V_{CC1} = 4.5V$
Worst-Case Military Conditions $V_{CCA} = 2.25V$, $V_{CC1} = 4.5V$, $T_J = 125^\circ C$, Radiation Level = 0 krad (Si)

Parameter	Description	'-1' Speed		'Std.' Speed		Units
		Min.	Max.	Min.	Max.	
Dedicated (Hardwired) Array Clock Network						
t_{HCKH}	Pad to R-cell Input Low to High		4.1		4.8	ns
t_{HCKL}	Pad to R-cell Input High to Low		4.1		4.8	ns
t_{HPWH}	Minimum Pulse Width High	2.8		3.3		ns
t_{HPWL}	Minimum Pulse Width Low	2.8		3.3		ns
t_{HCKSW}	Maximum Skew		3.2		3.7	ns
t_{HP}	Minimum Period	5.6		6.6		ns
f_{HMAX}	Maximum Frequency		179		152	MHz
Routed Array Clock Networks						
t_{RCKH}	Pad to R-cell Input Low to High (Light Load)		6.8		8.0	ns
t_{RCKL}	Pad to R-cell Input High to Low (Light Load)		8.2		9.7	ns
t_{RCKH}	Pad to R-cell Input Low to High (50% Load)		6.8		8.0	ns
t_{RCKL}	Pad to R-cell Input High to Low (50% Load)		8.2		9.7	ns
t_{RCKH}	Pad to R-cell Input Low to High (100% Load)		6.8		8.0	ns
t_{RCKL}	Pad to R-cell Input High to Low (100% Load)		8.2		9.7	ns
t_{RPWH}	Minimum Pulse Width High	2.8		3.3		ns
t_{RPWL}	Minimum Pulse Width Low	2.8		3.3		ns
t_{RCKSW}	Maximum Skew (Light Load)		7.0		8.2	ns
t_{RCKSW}	Maximum Skew (50% Load)		6.8		8.0	ns
t_{RCKSW}	Maximum Skew (100% Load)		6.8		8.0	ns
t_{QP}	Minimum Period	5.6		6.6		ns
f_{QMAX}	Maximum Frequency		179		152	MHz
Quadrant Array Clock Networks						
t_{QCKH}	Pad to R-cell Input Low to High (Light Load)		3.9		4.6	ns
t_{QCKL}	Pad to R-cell Input High to Low (Light Load)		4.2		4.9	ns
t_{QCKH}	Pad to R-cell Input Low to High (50% Load)		4.2		4.9	ns
t_{QCKL}	Pad to R-cell Input High to Low (50% Load)		4.5		5.3	ns
t_{QCKH}	Pad to R-cell Input Low to High (100% Load)		4.5		5.3	ns
t_{QCKL}	Pad to R-cell Input High to Low (100% Load)		5.0		5.9	ns
t_{QPWH}	Minimum Pulse Width High	2.8		3.3		ns
t_{QPWL}	Minimum Pulse Width Low	2.8		3.3		ns
t_{QCKSW}	Maximum Skew (Light Load)		0.7		0.8	ns
t_{QCKSW}	Maximum Skew (50% Load)		1.3		1.5	ns
t_{QCKSW}	Maximum Skew (100% Load)		1.4		1.6	ns
t_{QP}	Minimum Period	5.6		6.6		ns
f_{QMAX}	Maximum Frequency		179		152	MHz

Global Resource Access Macros

The user can configure which global resource is used in the design as well as how each global resource is driven through the use of the following macros:

- HCLKBUF – used to drive the hardwired clock (HCLK) in both devices from an external pin
- CLKBUF and CLKBUFI – noninverting and inverting inputs used to drive either routed clock (CLKA or CLKB) in both devices from external pins
- CLKINT and CLKINTI – noninverting and inverting inputs used to drive either routed clock (CLKA or CLKB) in both devices from internal logic
- QCLKBUF and QCLKBUFI – noninverting and inverting inputs used to drive quadrant routed clocks (QCLKA/B/C/D) in the RT545X72S from external pins
- QCLKINT and QCLKINTI – noninverting and inverting inputs used to drive quadrant routed clocks (QCLKA/B/C/D) in the RT545X72S from internal logic
- QCLKBIBUF and QCLKBIBUFI – noninverting and inverting inputs used to drive quadrant routed clocks (QCLKA/B/C/D) in the RT545X72S alternatively from either external pins or internal logic

Figure 2-19, Figure 2-20, and Figure 2-21 illustrate the various global-resource access macros.

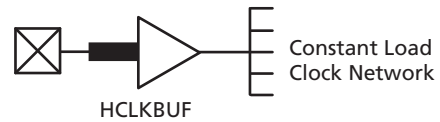


Figure 2-19 • Hardwired Clock Buffer

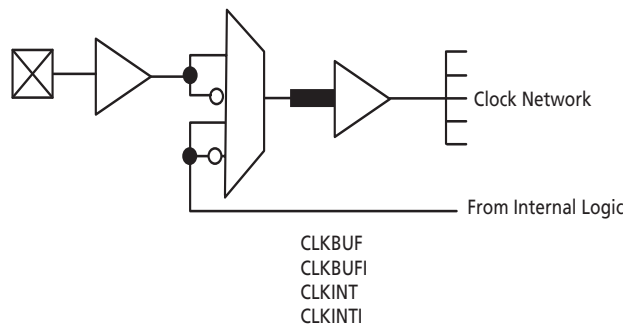


Figure 2-20 • Routed Clock Buffers in RT545X325

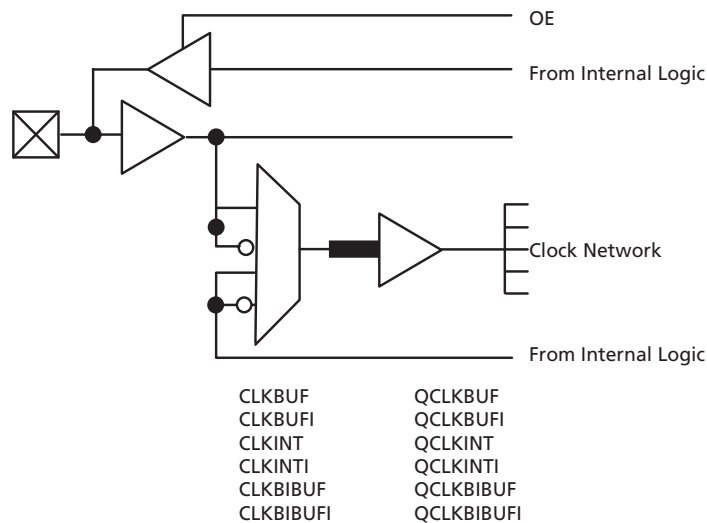


Figure 2-21 • Routed And Quadrant Clock Buffers in RT545X72S

Other Architectural Features

JTAG Interface

All RTSX-S devices are IEEE 1149.1 compliant and offer superior diagnostic and testing capabilities by providing Boundary Scan Testing (BST) and probing capabilities. The BST function is controlled through special JTAG pins (TMS, TDI, TCK, TDO, and TRST). The functionality of the JTAG pins is defined by two available modes: dedicated and flexible (Table 2-32). Note that TRST and TMS cannot be employed as user I/Os in either mode.

Table 2-32 • Boundary Scan Pin Functionality

Program Fuse Blown (Dedicated Test Mode)	Program Fuse Not Blown (Flexible Mode)
TCK, TDI, TDO are dedicated BST pins	TCK, TDI, TDO are flexible and may be used as user I/Os
No need for pull-up resistor for TMS	Use a pull-up resistor of 10 kΩ on TMS

Dedicated Mode

In dedicated mode, all JTAG pins are reserved for BST; users cannot employ them as regular I/Os. An internal pull-up resistor (on the order of 17 kΩ to 22 kΩ²) is automatically enabled on both TMS and TDI pins, and the TMS pin will function as defined in the IEEE 1149.1 (JTAG) specification.

To enter dedicated mode, users need to reserve the JTAG pins in Actel's Designer software during device selection. To reserve the JTAG pins, users can check the "Reserve JTAG" box in the "Device Selection Wizard" in Actel's Designer software (Figure 2-22).

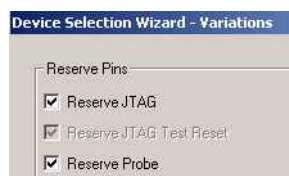


Figure 2-22 • Device Selection Wizard

Flexible Mode

In flexible mode, TDI, TCK, and TDO may be employed as either user I/Os or as JTAG input pins. The internal resistors on the TMS and TDI pins are not present in flexible JTAG mode.

To enter the flexible mode, users need to uncheck the "Reserve JTAG" box in the "Device Selection Wizard" in Designer software. TDI, TCK, and TDO pins may function

as user I/Os or BST pins in flexible mode. This functionality is controlled by the BST TAP controller. The TAP controller receives two control inputs: TMS and TCK. Upon power-up, the TAP controller enters the Test-Logic-Reset state. In this state, TDI, TCK, and TDO function as user I/Os. The TDI, TCK, and TDO are transformed from user I/Os into BST pins when a rising edge on TCK is detected while TMS is at logic Low. To return to the Test-Logic-Reset state, in the absence of TRST assertion, TMS must be held High for at least five TCK cycles. An external, 10 kΩ pull-up resistor tied to V_{CC1} should be placed on the TMS pin to pull it High by default.

Table 2-33 describes the different configurations of the BST pins and their functionality in different modes.

Table 2-33 • JTAG Pin Configurations and Functions

Mode	Designer "Reserve JTAG" Selection	TAP Controller State
Dedicated (JTAG)	Checked	Any
Flexible (User I/O)	Unchecked	Test-Logic-Reset
Flexible (JTAG)	Unchecked	Other

TRST Pin

The TRST pin functions as a dedicated boundary scan reset pin. An internal pull-up resistor is permanently enabled on the TRST pin. Additionally, the TRST pin must be grounded for flight applications. This will prevent Single-Event Upsets (SEU) in the TAP controller from inadvertently placing the device into JTAG mode.

Probing Capabilities

RTSX-S devices also provide internal probing capability that is accessed with the JTAG pins.

Silicon Explorer II Probe Interface

Actel's Silicon Explorer II is an integrated hardware and software solution that, in conjunction with Actel's Designer software, allows users to examine any of the internal nets of the device while it is operating in a prototype or a production system. The user can probe two nodes at a time without changing the placement or routing of the design and without using any additional device resources. Highlighted nets in Designer's ChipEditor can be accessed using Silicon Explorer II in order to observe their real time values.

2. On a given device, the value of the internal pull-up resistor varies within 1 kΩ between the TMS and TDI pins.

Silicon Explorer II's noninvasive method does not alter timing or loading effects, thus shortening the debug cycle. In addition, Silicon Explorer II does not require relay layout or additional MUXes to bring signals out to external pins, which is necessary when using programmable logic devices from other suppliers. By eliminating multiple place-and-route cycles, the integrity of the design is maintained throughout the debug process.

Both members of the RTSX-S family have two external pads: PRA and PRB. These can be used to bring out two probe signals from the device. To disallow probing, the SFUS security fuse in the silicon signature has to be programmed. Table 2-34 shows the possible device configuration options and their effects on probing.

During probing, the Silicon Explorer II Diagnostic Hardware is used to control the TDI, TCK, TMS, and TDO pins to select the desired nets for debugging. The user simply assigns the selected internal nets in the Silicon Explorer II software to the PRA/PRB output pins for observation. Probing functionality is activated when the

BST pins are in JTAG mode and the TRST pin is driven High. If the TRST pin is held Low, the TAP controller will remain in the Test-Logic-Reset state, so no probing can be performed. Silicon Explorer II automatically places the device into JTAG mode, but the user must drive the TRST pin High or allow the internal pull-up resistor to pull TRST High.

Silicon Explorer II connects to the host PC using a standard serial port connector. Connections to the circuit board are achieved using a nine-pin D-Sub connector (Figure 1-5 on page 1-6). Once the design has been placed-and-routed and the RTSX-S device has been programmed, Silicon Explorer II can be connected and the Silicon Explorer software can be launched.

Silicon Explorer II comes with an additional optional PC-hosted tool that emulates an 18-channel logic analyzer. Two channels are used to monitor two internal nodes, and 16 channels are available to probe external signals. The software included with the tool provides the user with an intuitive interface that allows for easy viewing and editing of signal waveforms.

Table 2-34 • Device Configuration Options for Probe Capability

JTAG Mode	TRST	Security Fuse Programmed	PRA and PRB ¹	TDI, TCK, and TDO ¹
Dedicated	Low	No	User I/O ²	Probing Unavailable
Flexible	Low	No	User I/O ²	User I/O ²
Dedicated	High	No	Probe Circuit Outputs	Probe Circuit I/O
Flexible	High	No	Probe Circuit Outputs	Probe Circuit I/O
–	–	Yes	Probe Circuit Secured	Probe Circuit Secured

Notes:

1. Avoid using the TDI, TCK, TDO, PRA, and PRB pins as input or bidirectional ports during probing. Since these pins are active during probing, input signals will not pass through these pins and may cause contention.
2. If no user signal is assigned to these pins, they will behave as unused I/Os in this mode. Unused pins are automatically tristated by the Designer software.

Security Fuses

Actel antifuse FPGAs, with FuseLock technology, offer the highest level of design security available in a programmable logic device. Since antifuse FPGAs are live at power-up, there is no bitstream that can be intercepted, and no bitstream or programming data is ever downloaded to the device, thus making device cloning impossible. In addition, special security fuses are hidden throughout the fabric of the device and may be programmed by the user to thwart attempts to reverse engineer the device by attempting to exploit either the programming or probing interfaces. Both invasive and noninvasive attacks against an RTSX-S device that access or bypass these security fuses will destroy access to the rest of the device. Refer to the [Understanding Actel Antifuse Device Security](#) white paper for more information.

Look for this symbol to ensure your valuable IP is secure(Figure 2-23).



Figure 2-23 • FuseLock Logo

To ensure maximum security in RTSX-S devices, it is recommended that the user program the device security fuse (SFUS). When programmed, the Silicon Explorer II testing probes are disabled to prevent internal probing, and the programming interface is also disabled. All JTAG public instructions are still accessible by the user. For more information, refer to Actel's [Implementation of Security in Actel Antifuse FPGAs](#) application note.

Programming

Device programming is supported through the Silicon Sculptor II, a single-site, robust and compact device-programmer for the PC. Two Silicon Sculptor IIs can be daisy-chained and controlled from a single PC host. With standalone software for the PC, Silicon Sculptor II is designed to allow concurrent programming of multiple units from the same PC when daisy-chained.

Silicon Sculptor II programs devices independently to achieve the fastest programming times possible. Each fuse is verified by Silicon Sculptor II to ensure correct programming. Furthermore, at the end of programming, there are integrity tests that are run to ensure that programming was completed properly. Not only does it test programmed and nonprogrammed fuses, Silicon Sculptor II also provides a self-test to extensively test its own hardware.

Programming an RTSX-S device using Silicon Sculptor II is similar to programming any other antifuse device. The procedure is as follows:

1. Load the .AFM file.
2. Select the device to be programmed.
3. Begin programming.

When the design is ready to go to production, Actel offers volume programming services either through distribution partners or via our In-House Programming Center. For more details on programming the RTSX-S devices, please refer to the [Silicon Sculptor II User's Guide](#).

Package Pin Assignments

208-Pin CQFP

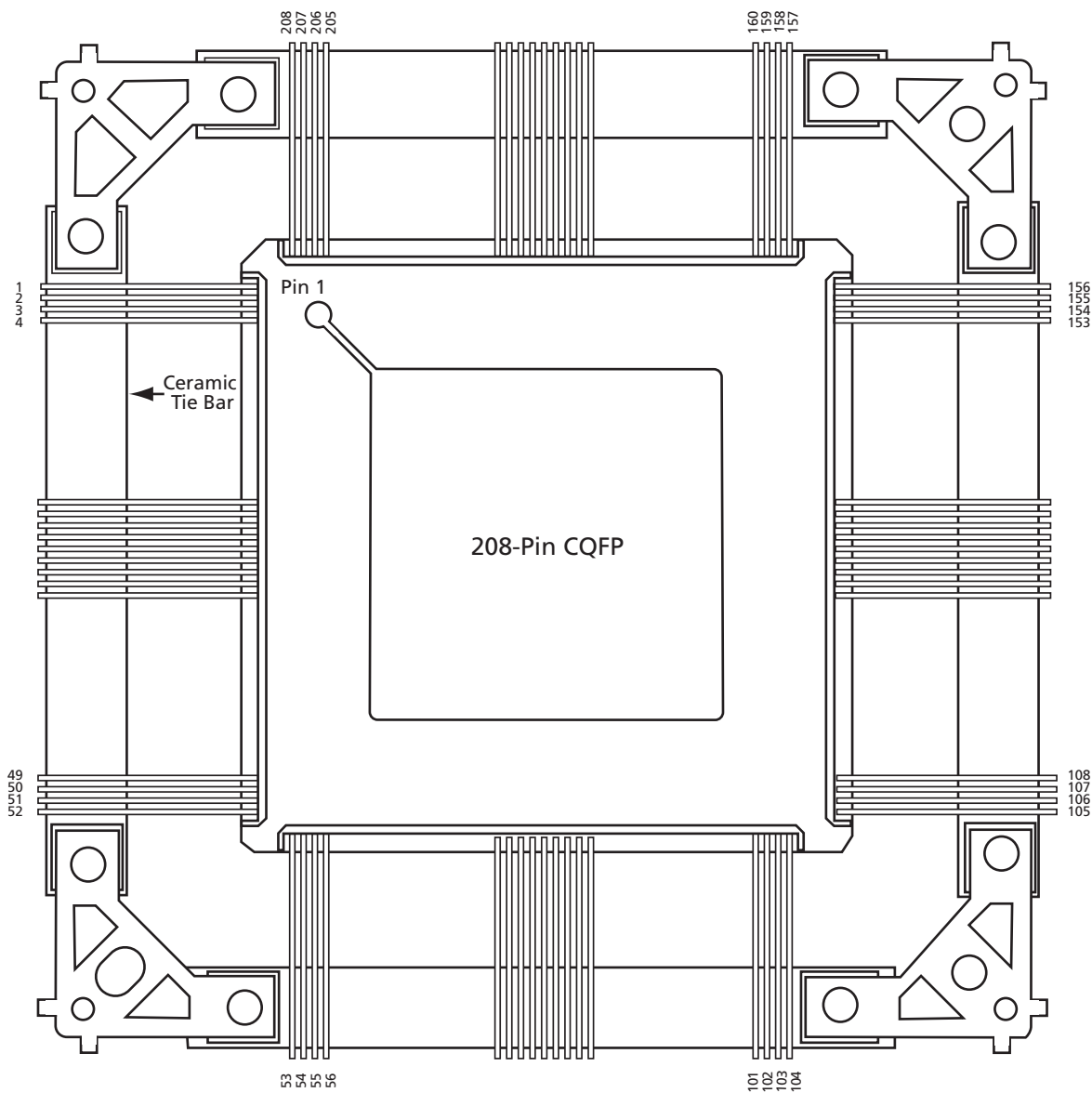


Figure 3-1 • 208-Pin CQFP (Top View)

208-Pin CQFP		
Pin Number	RT54SX32S Function	RT54SX72S Function
1	GND	GND
2	TDI, I/O	TDI, I/O
3	I/O	I/O
4	I/O	I/O
5	I/O	I/O
6	I/O	I/O
7	I/O	I/O
8	I/O	I/O
9	I/O	I/O
10	I/O	I/O
11	TMS	TMS
12	V _{CCI}	V _{CCI}
13	I/O	I/O
14	I/O	I/O
15	I/O	I/O
16	I/O	I/O
17	I/O	I/O
18	I/O	GND
19	I/O	V _{CCA}
20	I/O	I/O
21	I/O	I/O
22	I/O	I/O
23	I/O	I/O
24	I/O	I/O
25	NC	I/O
26	GND	GND
27	V _{CCA}	V _{CCA}
28	GND	GND
29	I/O	I/O
30	TRST	TRST
31	I/O	I/O
32	I/O	I/O
33	I/O	I/O
34	I/O	I/O
35	I/O	I/O
36	I/O	I/O

Note: Pin 65 is a No Connect (NC) on Commercial A54SX32S-PQ208.

208-Pin CQFP		
Pin Number	RT54SX32S Function	RT54SX72S Function
37	I/O	I/O
38	I/O	I/O
39	I/O	I/O
40	V _{CCI}	V _{CCI}
41	V _{CCA}	V _{CCA}
42	I/O	I/O
43	I/O	I/O
44	I/O	I/O
45	I/O	I/O
46	I/O	I/O
47	I/O	I/O
48	I/O	I/O
49	I/O	I/O
50	I/O	I/O
51	I/O	I/O
52	GND	GND
53	I/O	I/O
54	I/O	I/O
55	I/O	I/O
56	I/O	I/O
57	I/O	I/O
58	I/O	I/O
59	I/O	I/O
60	V _{CCI}	V _{CCI}
61	I/O	I/O
62	I/O	I/O
63	I/O	I/O
64	I/O	I/O
65	NC	I/O
66	I/O	I/O
67	I/O	I/O
68	I/O	I/O
69	I/O	I/O
70	I/O	I/O
71	I/O	I/O
72	I/O	I/O

Note: Pin 65 is a No Connect (NC) on Commercial A54SX32S-PQ208.

208-Pin CQFP		
Pin Number	RT54SX32S Function	RT54SX72S Function
73	I/O	I/O
74	I/O	QCLKA, I/O
75	I/O	I/O
76	PRB, I/O	PRB, I/O
77	GND	GND
78	V _{CCA}	V _{CCA}
79	GND	GND
80	NC	NC
81	I/O	I/O
82	HCLK	HCLK
83	I/O	V _{CCI}
84	I/O	QCLKB, I/O
85	I/O	I/O
86	I/O	I/O
87	I/O	I/O
88	I/O	I/O
89	I/O	I/O
90	I/O	I/O
91	I/O	I/O
92	I/O	I/O
93	I/O	I/O
94	I/O	I/O
95	I/O	I/O
96	I/O	I/O
97	I/O	I/O
98	V _{CCI}	V _{CCI}
99	I/O	I/O
100	I/O	I/O
101	I/O	I/O
102	I/O	I/O
103	TDO, I/O	TDO, I/O
104	I/O	I/O
105	GND	GND
106	I/O	I/O
107	I/O	I/O
108	I/O	I/O

Note: Pin 65 is a No Connect (NC) on Commercial A54SX32S-PQ208.

208-Pin CQFP		
Pin Number	RT54SX32S Function	RT54SX72S Function
109	I/O	I/O
110	I/O	I/O
111	I/O	I/O
112	I/O	I/O
113	I/O	I/O
114	V _{CCA}	V _{CCA}
115	V _{CCI}	V _{CCI}
116	I/O	GND
117	I/O	V _{CCA}
118	I/O	I/O
119	I/O	I/O
120	I/O	I/O
121	I/O	I/O
122	I/O	I/O
123	I/O	I/O
124	I/O	I/O
125	I/O	I/O
126	I/O	I/O
127	I/O	I/O
128	I/O	I/O
129	GND	GND
130	V _{CCA}	V _{CCA}
131	GND	GND
132	NC	I/O
133	I/O	I/O
134	I/O	I/O
135	I/O	I/O
136	I/O	I/O
137	I/O	I/O
138	I/O	I/O
139	I/O	I/O
140	I/O	I/O
141	I/O	I/O
142	I/O	I/O
143	I/O	I/O
144	I/O	I/O

Note: Pin 65 is a No Connect (NC) on Commercial A54SX32S-PQ208.

208-Pin CQFP		
Pin Number	RT54SX32S Function	RT54SX72S Function
145	V _{CCA}	V _{CCA}
146	GND	GND
147	I/O	I/O
148	V _{CCI}	V _{CCI}
149	I/O	I/O
150	I/O	I/O
151	I/O	I/O
152	I/O	I/O
153	I/O	I/O
154	I/O	I/O
155	I/O	I/O
156	I/O	I/O
157	GND	GND
158	I/O	I/O
159	I/O	I/O
160	I/O	I/O
161	I/O	I/O
162	I/O	I/O
163	I/O	I/O
164	V _{CCI}	V _{CCI}
165	I/O	I/O
166	I/O	I/O
167	I/O	I/O
168	I/O	I/O
169	I/O	I/O
170	I/O	I/O
171	I/O	I/O
172	I/O	I/O
173	I/O	I/O
174	I/O	I/O
175	I/O	I/O
176	I/O	I/O
177	I/O	I/O
178	I/O	QCLKD, I/O
179	I/O	I/O
180	CLKA	CLKA, I/O

Note: Pin 65 is a No Connect (NC) on Commercial A54SX32S-PQ208.

208-Pin CQFP		
Pin Number	RT54SX32S Function	RT54SX72S Function
181	CLKB	CLKB, I/O
182	NC	NC
183	GND	GND
184	V _{CCA}	V _{CCA}
185	GND	GND
186	PRA, I/O	PRA, I/O
187	I/O	V _{CCI}
188	I/O	I/O
189	I/O	I/O
190	I/O	QCLKC, I/O
191	I/O	I/O
192	I/O	I/O
193	I/O	I/O
194	I/O	I/O
195	I/O	I/O
196	I/O	I/O
197	I/O	I/O
198	I/O	I/O
199	I/O	I/O
200	I/O	I/O
201	V _{CCI}	V _{CCI}
202	I/O	I/O
203	I/O	I/O
204	I/O	I/O
205	I/O	I/O
206	I/O	I/O
207	I/O	I/O
208	TCK, I/O	TCK, I/O

Note: Pin 65 is a No Connect (NC) on Commercial A54SX32S-PQ208.

256-Pin CQFP

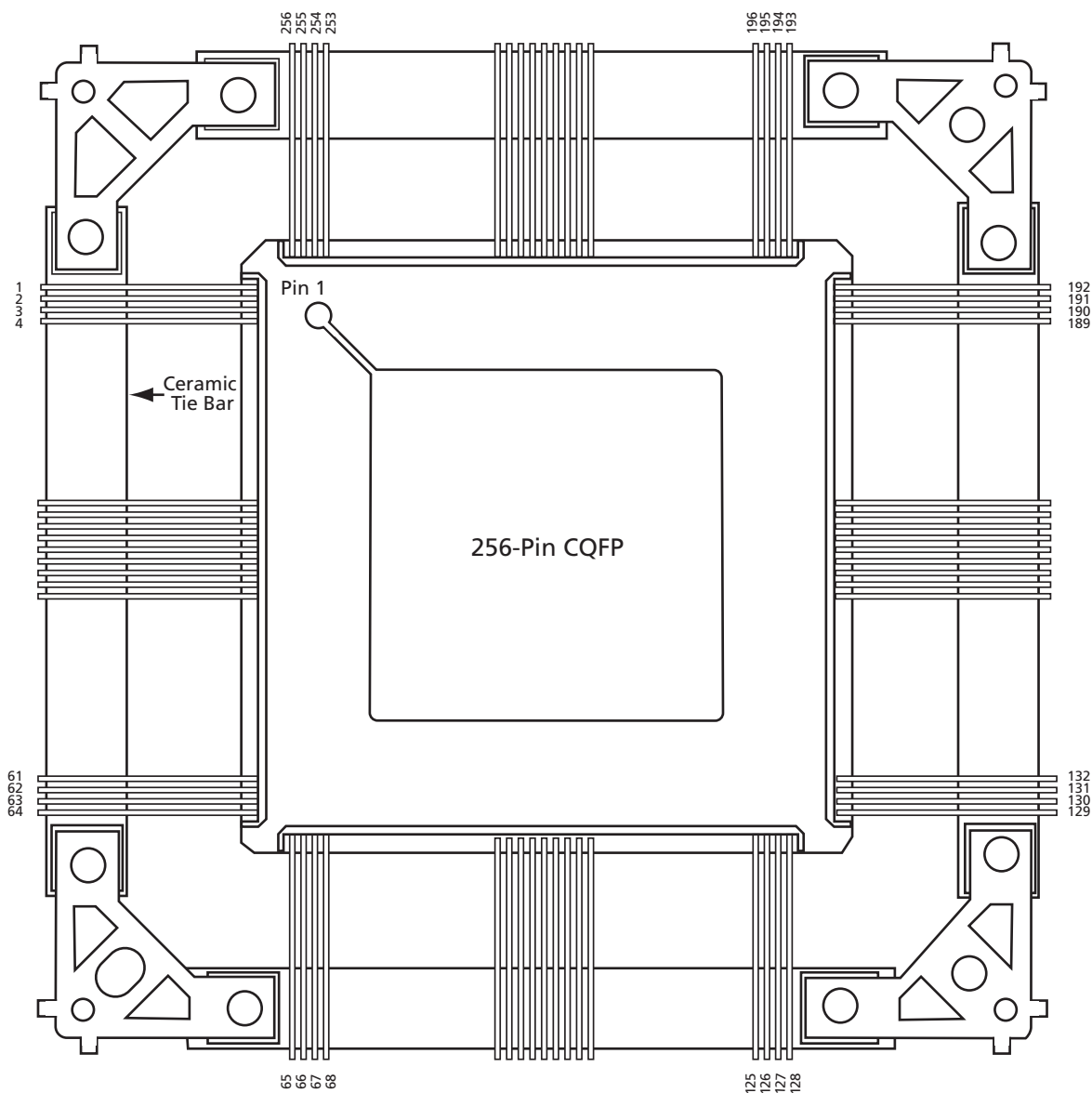


Figure 3-2 • 256-Pin CQFP (Top View)

256-Pin CQFP		
Pin Number	RT54SX32S Function	RT54SX72S Function
1	GND	GND
2	TDI, I/O	TDI, I/O
3	I/O	I/O
4	I/O	I/O
5	I/O	I/O
6	I/O	I/O
7	I/O	I/O
8	I/O	I/O
9	I/O	I/O
10	I/O	I/O
11	TMS	TMS
12	I/O	I/O
13	I/O	I/O
14	I/O	I/O
15	I/O	I/O
16	I/O	I/O
17	I/O	V _{CCI}
18	I/O	I/O
19	I/O	I/O
20	I/O	I/O
21	I/O	I/O
22	I/O	I/O
23	I/O	I/O
24	I/O	I/O
25	I/O	I/O
26	I/O	I/O
27	I/O	I/O
28	V _{CCI}	V _{CCI}
29	GND	GND
30	V _{CCA}	V _{CCA}
31	GND	GND
32	I/O	I/O
33	I/O	I/O
34	TRST	TRST
35	I/O	I/O
36	I/O	V _{CCA}
37	I/O	GND

256-Pin CQFP		
Pin Number	RT54SX32S Function	RT54SX72S Function
38	I/O	I/O
39	I/O	I/O
40	I/O	I/O
41	I/O	I/O
42	I/O	I/O
43	I/O	I/O
44	I/O	I/O
45	I/O	I/O
46	V _{CCA}	V _{CCA}
47	I/O	V _{CCI}
48	I/O	I/O
49	I/O	I/O
50	I/O	I/O
51	I/O	I/O
52	I/O	I/O
53	I/O	I/O
54	I/O	I/O
55	I/O	I/O
56	I/O	GND
57	I/O	I/O
58	I/O	I/O
59	GND	GND
60	I/O	I/O
61	I/O	I/O
62	I/O	I/O
63	I/O	I/O
64	I/O	I/O
65	I/O	I/O
66	I/O	I/O
67	I/O	I/O
68	I/O	I/O
69	I/O	I/O
70	I/O	I/O
71	I/O	I/O
72	I/O	I/O
73	I/O	V _{CCI}
74	I/O	I/O

256-Pin CQFP		
Pin Number	RT54SX32S Function	RT54SX72S Function
75	I/O	I/O
76	I/O	I/O
77	I/O	I/O
78	I/O	I/O
79	I/O	I/O
80	I/O	I/O
81	I/O	I/O
82	I/O	I/O
83	I/O	I/O
84	I/O	I/O
85	I/O	I/O
86	I/O	I/O
87	I/O	I/O
88	I/O	I/O
89	I/O	QCLKA, I/O
90	PRB, I/O	PRB, I/O
91	GND	GND
92	V _{CCI}	V _{CCI}
93	GND	GND
94	V _{CCA}	V _{CCA}
95	I/O	I/O
96	HCLK	HCLK
97	I/O	I/O
98	I/O	QCLKB, I/O
99	I/O	I/O
100	I/O	I/O
101	I/O	I/O
102	I/O	I/O
103	I/O	I/O
104	I/O	I/O
105	I/O	I/O
106	I/O	I/O
107	I/O	I/O
108	I/O	I/O
109	I/O	I/O
110	GND	GND
111	I/O	I/O

256-Pin CQFP		
Pin Number	RT54SX32S Function	RT54SX72S Function
112	I/O	I/O
113	I/O	I/O
114	I/O	I/O
115	I/O	I/O
116	I/O	I/O
117	I/O	I/O
118	I/O	I/O
119	I/O	I/O
120	I/O	V _{CCI}
121	I/O	I/O
122	I/O	I/O
123	I/O	I/O
124	I/O	I/O
125	I/O	I/O
126	TDO, I/O	TDO, I/O
127	I/O	I/O
128	GND	GND
129	I/O	I/O
130	I/O	I/O
131	I/O	I/O
132	I/O	I/O
133	I/O	I/O
134	I/O	I/O
135	I/O	I/O
136	I/O	I/O
137	I/O	I/O
138	I/O	I/O
139	I/O	I/O
140	I/O	I/O
141	V _{CCA}	V _{CCA}
142	I/O	V _{CCI}
143	I/O	GND
144	I/O	V _{CCA}
145	I/O	I/O
146	I/O	I/O
147	I/O	I/O
148	I/O	I/O

256-Pin CQFP		
Pin Number	RT54SX32S Function	RT54SX72S Function
149	I/O	I/O
150	I/O	I/O
151	I/O	I/O
152	I/O	I/O
153	I/O	I/O
154	I/O	I/O
155	I/O	I/O
156	I/O	I/O
157	I/O	I/O
158	GND	GND
159	NC	NC
160	GND	GND
161	V _{CCI}	V _{CCI}
162	I/O	V _{CCA}
163	I/O	I/O
164	I/O	I/O
165	I/O	I/O
166	I/O	I/O
167	I/O	I/O
168	I/O	I/O
169	I/O	I/O
170	I/O	I/O
171	I/O	I/O
172	I/O	I/O
173	I/O	I/O
174	V _{CCA}	V _{CCA}
175	GND	GND
176	GND	GND
177	I/O	I/O
178	I/O	I/O
179	I/O	I/O
180	I/O	I/O
181	I/O	I/O
182	I/O	I/O
183	I/O	V _{CCI}
184	I/O	I/O
185	I/O	I/O

256-Pin CQFP		
Pin Number	RT54SX32S Function	RT54SX72S Function
186	I/O	I/O
187	I/O	I/O
188	I/O	I/O
189	GND	GND
190	I/O	I/O
191	I/O	I/O
192	I/O	I/O
193	I/O	I/O
194	I/O	I/O
195	I/O	I/O
196	I/O	I/O
197	I/O	I/O
198	I/O	I/O
199	I/O	I/O
200	I/O	I/O
201	I/O	I/O
202	I/O	V _{CCI}
203	I/O	I/O
204	I/O	I/O
205	I/O	I/O
206	I/O	I/O
207	I/O	I/O
208	I/O	I/O
209	I/O	I/O
210	I/O	I/O
211	I/O	I/O
212	I/O	I/O
213	I/O	I/O
214	I/O	I/O
215	I/O	I/O
216	I/O	I/O
217	I/O	I/O
218	I/O	QCLKD, I/O
219	CLKA	CLKA, I/O
220	CLKB	CLKB, I/O
221	V _{CCI}	V _{CCI}
222	GND	GND

256-Pin CQFP		
Pin Number	RT54SX32S Function	RT54SX72S Function
223	NC	NC
224	GND	GND
225	PRA, I/O	PRA, I/O
226	I/O	I/O
227	I/O	I/O
228	I/O	V _{CCA}
229	I/O	I/O
230	I/O	I/O
231	I/O	QCLKC, I/O
232	I/O	I/O
233	I/O	I/O
234	I/O	I/O
235	I/O	I/O
236	I/O	I/O
237	I/O	I/O
238	I/O	I/O
239	I/O	I/O
240	GND	GND
241	I/O	I/O
242	I/O	I/O
243	I/O	I/O
244	I/O	I/O
245	I/O	I/O
246	I/O	I/O
247	I/O	I/O
248	I/O	I/O
249	I/O	V _{CCI}
250	I/O	I/O
251	I/O	I/O
252	I/O	I/O
253	I/O	I/O
254	I/O	I/O
255	I/O	I/O
256	TCK, I/O	TCK, I/O

256-Pin CCLG

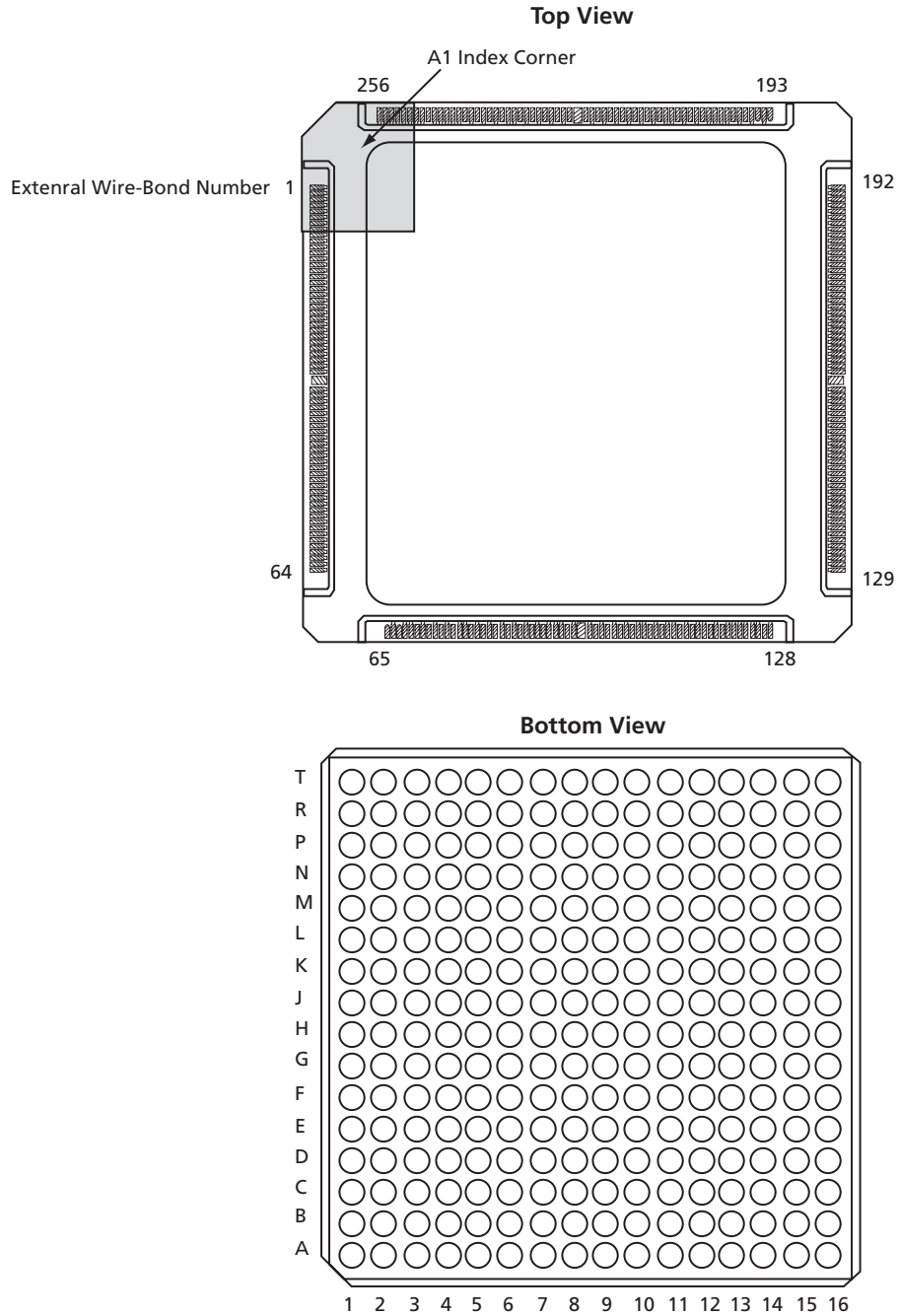


Figure 3-3 • 256-Pin CCLG

256-Pin CCLG*		
Pin Number	External Wire-Bond Number	RT54SX32S Function
A1	1	GND
A2	256	TCK, I/O
A3	255	I/O
A4	251	I/O
A5	243	I/O
A6	238	I/O
A7	232	I/O
A8	228	I/O
A9	227	CLKB
A10	221	I/O
A11	216	I/O
A12	209	I/O
A13	203	I/O
A14	200	I/O
A15	2	GND
A16	13	GND
B1	242	I/O
B2	22	GND
B3	254	I/O
B4	253	I/O
B5	248	I/O
B6	241	I/O
B7	234	I/O
B8	33	V _{CCA}
B9	222	I/O
B10	220	I/O
B11	212	I/O
B12	207	I/O
B13	202	I/O
B14	198	I/O
B15	32	GND
B16	196	I/O
C1	6	I/O
C2	4	TDI, I/O

Note: *This table was sorted by the pin number.

256-Pin CCLG*		
Pin Number	External Wire-Bond Number	RT54SX32S Function
C3	65	GND
C4	252	I/O
C5	249	I/O
C6	245	I/O
C7	239	I/O
C8	230	I/O
C9	226	CLKA
C10	218	I/O
C11	210	I/O
C12	201	I/O
C13	197	I/O
C14	211	I/O
C15	178	I/O
C16	195	I/O
D1	12	I/O
D2	8	I/O
D3	10	I/O
D4	7	I/O
D5	250	I/O
D6	244	I/O
D7	237	I/O
D8	229	PRA, I/O
D9	217	I/O
D10	208	I/O
D11	206	I/O
D12	199	I/O
D13	205	I/O
D14	173	I/O
D15	190	I/O
D16	188	I/O
E1	16	I/O
E2	15	I/O
E3	9	I/O
E4	11	I/O

Note: *This table was sorted by the pin number.

256-Pin CCLG*		
Pin Number	External Wire-Bond Number	RT54SX32S Function
E5	5	I/O
E6	240	I/O
E7	233	I/O
E8	231	I/O
E9	223	I/O
E10	219	I/O
E11	213	I/O
E12	167	I/O
E13	183	I/O
E14	189	I/O
E15	187	I/O
E16	186	I/O
F1	17	I/O
F2	18	I/O
F3	20	I/O
F4	14	TMS
F5	19	I/O
F6	28	I/O
F7	3	V _{CCI}
F8	23	V _{CCI}
F9	44	V _{CCI}
F10	55	V _{CCI}
F11	157	I/O
F12	97	V _{CCA}
F13	177	I/O
F14	185	I/O
F15	184	I/O
F16	181	I/O
G1	24	I/O
G2	25	I/O
G3	27	I/O
G4	26	I/O
G5	21	I/O
G6	66	V _{CCI}

Note: *This table was sorted by the pin number.

256-Pin CCLG*		
Pin Number	External Wire-Bond Number	RT54SX32S Function
G7	43	GND
G8	54	GND
G9	67	GND
G10	77	GND
G11	87	V _{CCI}
G12	169	I/O
G13	180	GND
G14	176	I/O
G15	179	V _{CCA}
G16	175	I/O
H1	29	I/O
H2	31	I/O
H3	160	V _{CCA}
H4	35	TRST
H5	37	I/O
H6	108	V _{CCI}
H7	86	GND
H8	96	GND
H9	107	GND
H10	118	GND
H11	128	V _{CCI}
H12	165	I/O
H13	170	I/O
H14	168	I/O
H15	166	I/O
H16	174	I/O
J1	30	I/O
J2	38	I/O
J3	40	I/O
J4	41	I/O
J5	39	I/O
J6	139	V _{CCI}
J7	127	GND
J8	140	GND

Note: *This table was sorted by the pin number.

256-Pin CCLG*		
Pin Number	External Wire-Bond Number	RT54SX32S Function
J9	151	GND
J10	161	GND
J11	150	V _{CCI}
J12	159	I/O
J13	163	I/O
J14	164	I/O
J15	162	I/O
J16	158	I/O
K1	34	I/O
K2	45	I/O
K3	47	I/O
K4	50	V _{CCA}
K5	48	I/O
K6	171	V _{CCI}
K7	172	GND
K8	182	GND
K9	192	GND
K10	204	GND
K11	191	V _{CCI}
K12	153	I/O
K13	155	I/O
K14	156	I/O
K15	152	I/O
K16	154	I/O
L1	36	I/O
L2	46	I/O
L3	51	I/O
L4	58	I/O
L5	52	I/O
L6	91	I/O
L7	194	V _{CCI}
L8	214	V _{CCI}
L9	235	V _{CCI}
L10	246	V _{CCI}

Note: *This table was sorted by the pin number.

256-Pin CCLG*		
Pin Number	External Wire-Bond Number	RT54SX32S Function
L11	103	I/O
L12	149	I/O
L13	146	I/O
L14	148	I/O
L15	145	I/O
L16	147	I/O
M1	42	I/O
M2	53	I/O
M3	61	I/O
M4	60	I/O
M5	72	I/O
M6	81	I/O
M7	89	I/O
M8	95	PRB, I/O
M9	101	I/O
M10	105	I/O
M11	114	I/O
M12	111	I/O
M13	141	I/O
M14	142	I/O
M15	137	I/O
M16	144	I/O
N1	49	I/O
N2	57	I/O
N3	63	I/O
N4	79	I/O
N5	70	I/O
N6	76	I/O
N7	83	I/O
N8	99	I/O
N9	109	I/O
N10	117	I/O
N11	112	I/O
N12	124	I/O

Note: *This table was sorted by the pin number.

256-Pin CCLG*		
Pin Number	External Wire-Bond Number	RT54SX32S Function
N13	121	I/O
N14	133	I/O
N15	135	I/O
N16	136	I/O
P1	59	I/O
P2	138	GND
P3	56	I/O
P4	74	I/O
P5	64	I/O
P6	82	I/O
P7	90	I/O
P8	94	I/O
P9	104	I/O
P10	113	I/O
P11	119	I/O
P12	123	I/O
P13	143	V _{CCA}
P14	131	I/O
P15	132	I/O
P16	134	I/O
R1	62	I/O
R2	215	GND
R3	68	I/O
R4	73	I/O
R5	78	I/O
R6	85	I/O
R7	92	I/O
R8	98	I/O
R9	100	HCLK
R10	106	I/O
R11	115	I/O
R12	120	I/O
R13	126	I/O
R14	130	I/O

Note: *This table was sorted by the pin number.

256-Pin CCLG*		
Pin Number	External Wire-Bond Number	RT54SX32S Function
R15	225	GND
R16	193	GND
T1	236	GND
T2	69	I/O
T3	71	I/O
T4	75	I/O
T5	80	I/O
T6	84	I/O
T7	88	I/O
T8	93	I/O
T9	224	V _{CCA}
T10	102	I/O
T11	110	I/O
T12	116	I/O
T13	122	I/O
T14	125	I/O
T15	129	TDO,I/O
T16	247	GND

Note: *This table was sorted by the pin number.

256-Pin CCLG*		
Pin Number	External Wire-Bond Number	RT54SX32S Function
A1	1	GND
A15	2	GND
F7	3	V _{CCI}
C2	4	TDI,I/O
E5	5	I/O
C1	6	I/O
D4	7	I/O
D2	8	I/O
E3	9	I/O
D3	10	I/O
E4	11	I/O
D1	12	I/O
A16	13	GND
F4	14	TMS
E2	15	I/O
E1	16	I/O
F1	17	I/O
F2	18	I/O
F5	19	I/O
F3	20	I/O
G5	21	I/O
B2	22	GND
F8	23	V _{CCI}
G1	24	I/O
G2	25	I/O
G4	26	I/O
G3	27	I/O
F6	28	I/O
H1	29	I/O
J1	30	I/O
H2	31	I/O
B15	32	GND
B8	33	V _{CCA}
K1	34	I/O

Note: *This table was sorted by the wire-bond number.

256-Pin CCLG*		
Pin Number	External Wire-Bond Number	RT54SX32S Function
H4	35	TRST
L1	36	I/O
H5	37	I/O
J2	38	I/O
J5	39	I/O
J3	40	I/O
J4	41	I/O
M1	42	I/O
G7	43	GND
F9	44	V _{CCI}
K2	45	I/O
L2	46	I/O
K3	47	I/O
K5	48	I/O
N1	49	I/O
K4	50	V _{CCA}
L3	51	I/O
L5	52	I/O
M2	53	I/O
G8	54	GND
F10	55	V _{CCI}
P3	56	I/O
N2	57	I/O
L4	58	I/O
P1	59	I/O
M4	60	I/O
M3	61	I/O
R1	62	I/O
N3	63	I/O
P5	64	I/O
C3	65	GND
G6	66	V _{CCI}
G9	67	GND
R3	68	I/O

Note: *This table was sorted by the wire-bond number.

256-Pin CCLG*		
Pin Number	External Wire-Bond Number	RT54SX32S Function
T2	69	I/O
N5	70	I/O
T3	71	I/O
M5	72	I/O
R4	73	I/O
P4	74	I/O
T4	75	I/O
N6	76	I/O
G10	77	GND
R5	78	I/O
N4	79	I/O
T5	80	I/O
M6	81	I/O
P6	82	I/O
N7	83	I/O
T6	84	I/O
R6	85	I/O
H7	86	GND
G11	87	V _{CCI}
T7	88	I/O
M7	89	I/O
P7	90	I/O
L6	91	I/O
R7	92	I/O
T8	93	I/O
P8	94	I/O
M8	95	PRB, I/O
H8	96	GND
F12	97	V _{CCA}
R8	98	I/O
N8	99	I/O
R9	100	HCLK
M9	101	I/O
T10	102	I/O

Note: *This table was sorted by the wire-bond number.

256-Pin CCLG*		
Pin Number	External Wire-Bond Number	RT54SX32S Function
L11	103	I/O
P9	104	I/O
M10	105	I/O
R10	106	I/O
H9	107	GND
H6	108	V _{CCI}
N9	109	I/O
T11	110	I/O
M12	111	I/O
N11	112	I/O
P10	113	I/O
M11	114	I/O
R11	115	I/O
T12	116	I/O
N10	117	I/O
H10	118	GND
P11	119	I/O
R12	120	I/O
N13	121	I/O
T13	122	I/O
P12	123	I/O
N12	124	I/O
T14	125	I/O
R13	126	I/O
J7	127	GND
H11	128	V _{CCI}
T15	129	TDO, I/O
R14	130	I/O
P14	131	I/O
P15	132	I/O
N14	133	I/O
P16	134	I/O
N15	135	I/O
N16	136	I/O

Note: *This table was sorted by the wire-bond number.

256-Pin CCLG*		
Pin Number	External Wire-Bond Number	RT54SX32S Function
M15	137	I/O
P2	138	GND
J6	139	V _{CCI}
J8	140	GND
M13	141	I/O
M14	142	I/O
P13	143	V _{CCA}
M16	144	I/O
L15	145	I/O
L13	146	I/O
L16	147	I/O
L14	148	I/O
L12	149	I/O
J11	150	V _{CCI}
J9	151	GND
K15	152	I/O
K12	153	I/O
K16	154	I/O
K13	155	I/O
K14	156	I/O
F11	157	I/O
J16	158	I/O
J12	159	I/O
H3	160	V _{CCA}
J10	161	GND
J15	162	I/O
J13	163	I/O
J14	164	I/O
H12	165	I/O
H15	166	I/O
E12	167	I/O
H14	168	I/O
G12	169	I/O
H13	170	I/O

Note: *This table was sorted by the wire-bond number.

256-Pin CCLG*		
Pin Number	External Wire-Bond Number	RT54SX32S Function
K6	171	V _{CCI}
K7	172	GND
D14	173	I/O
H16	174	I/O
G16	175	I/O
G14	176	I/O
F13	177	I/O
C15	178	I/O
G15	179	V _{CCA}
G13	180	GND
F16	181	I/O
K8	182	GND
E13	183	I/O
F15	184	I/O
F14	185	I/O
E16	186	I/O
E15	187	I/O
D16	188	I/O
E14	189	I/O
D15	190	I/O
K11	191	V _{CCI}
K9	192	GND
R16	193	GND
L7	194	V _{CCI}
C16	195	I/O
B16	196	I/O
C13	197	I/O
B14	198	I/O
D12	199	I/O
A14	200	I/O
C12	201	I/O
B13	202	I/O
A13	203	I/O
K10	204	GND

Note: *This table was sorted by the wire-bond number.

256-Pin CCLG*		
Pin Number	External Wire-Bond Number	RT54SX32S Function
D13	205	I/O
D11	206	I/O
B12	207	I/O
D10	208	I/O
A12	209	I/O
C11	210	I/O
C14	211	I/O
B11	212	I/O
E11	213	I/O
L8	214	V _{CCI}
R2	215	GND
A11	216	I/O
D9	217	I/O
C10	218	I/O
E10	219	I/O
B10	220	I/O
A10	221	I/O
B9	222	I/O
E9	223	I/O
T9	224	V _{CCA}
R15	225	GND
C9	226	CLKA
A9	227	CLKB
A8	228	I/O
D8	229	PRA, I/O
C8	230	I/O
E8	231	I/O
A7	232	I/O
E7	233	I/O
B7	234	I/O
L9	235	V _{CCI}
T1	236	GND
D7	237	I/O
A6	238	I/O

Note: *This table was sorted by the wire-bond number.

256-Pin CCLG*		
Pin Number	External Wire-Bond Number	RT54SX32S Function
C7	239	I/O
E6	240	I/O
B6	241	I/O
B1	242	I/O
A5	243	I/O
D6	244	I/O
C6	245	I/O
L10	246	V _{CCI}
T16	247	GND
B5	248	I/O
C5	249	I/O
D5	250	I/O
A4	251	I/O
C4	252	I/O
B4	253	I/O
B3	254	I/O
A3	255	I/O
A2	256	TCK, I/O

Note: *This table was sorted by the wire-bond number.

624-Pin CCGA

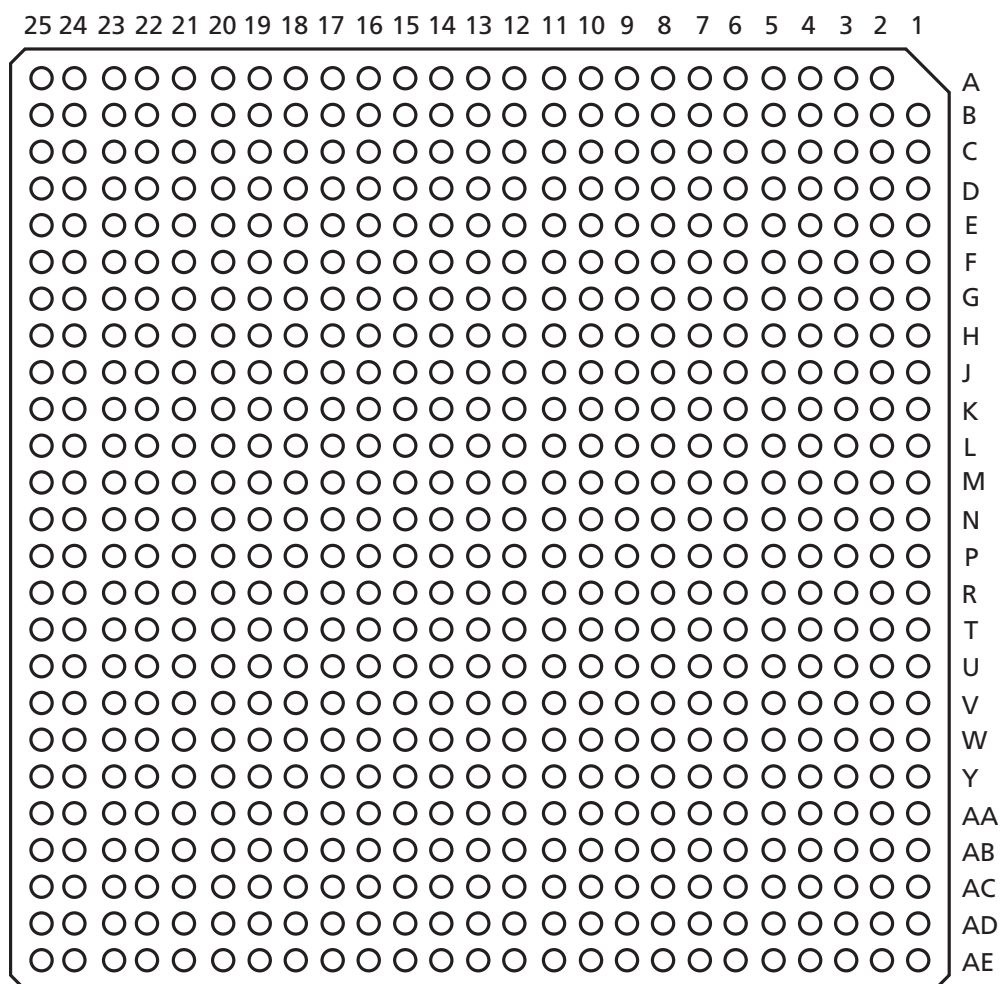


Figure 3-4 • 624-Pin CCGA (Bottom View)

624-Pin CCGA	
Pin Number	RT54SX72S Function
A2	NC
A3	NC
A4	NC
A5	I/O
A6	I/O
A7	I/O
A8	I/O
A9	I/O
A10	I/O
A11	I/O
A12	I/O
A13	GND
A14	I/O
A15	I/O
A16	I/O
A17	I/O
A18	I/O
A19	I/O
A20	I/O
A21	I/O
A22	GND
A23	NC
A24	NC
A25	NC
B1	NC
B2	GND
B3	GND
B4	V _{CCI}
B5	GND
B6	I/O
B7	I/O
B8	V _{CCI}
B9	GND
B10	I/O
B11	I/O

624-Pin CCGA	
Pin Number	RT54SX72S Function
B12	I/O
B13	I/O
B14	CLKB, I/O
B15	I/O
B16	I/O
B17	I/O
B18	I/O
B19	I/O
B20	I/O
B21	I/O
B22	GND
B23	V _{CCI}
B24	GND
B25	NC
C1	NC
C2	V _{CCI}
C3	GND
C4	I/O
C5	I/O
C6	I/O
C7	I/O
C8	I/O
C9	I/O
C10	I/O
C11	QCLKC, I/O
C12	I/O
C13	PRA, I/O
C14	CLKA, I/O
C15	I/O
C16	I/O
C17	I/O
C18	I/O
C19	I/O
C20	I/O
C21	I/O

624-Pin CCGA	
Pin Number	RT54SX72S Function
C22	I/O
C23	GND
C24	V _{CCI}
C25	NC
D1	GND
D2	GND
D3	TDI
D4	GND
D5	I/O
D6	I/O
D7	I/O
D8	I/O
D9	I/O
D10	I/O
D11	I/O
D12	I/O
D13	I/O
D14	QCLKD, I/O
D15	I/O
D16	I/O
D17	I/O
D18	I/O
D19	I/O
D20	I/O
D21	I/O
D22	V _{CCI}
D23	GND
D24	GND
D25	GND
E1	I/O
E2	I/O
E3	I/O
E4	I/O
E5	TCK, I/O
E6	I/O

624-Pin CCGA	
Pin Number	RT54SX72S Function
E7	I/O
E8	I/O
E9	I/O
E10	I/O
E11	I/O
E12	V _{CCA}
E13	GND
E14	I/O
E15	I/O
E16	I/O
E17	I/O
E18	I/O
E19	I/O
E20	I/O
E21	I/O
E22	I/O
E23	I/O
E24	I/O
E25	I/O
F1	I/O
F2	V _{CCI}
F3	I/O
F4	I/O
F5	I/O
F6	NC
F7	NC
F8	I/O
F9	NC
F10	NC
F11	NC
F12	NC
F13	I/O
F14	I/O
F15	NC
F16	GND

624-Pin CCGA	
Pin Number	RT54SX72S Function
F17	I/O
F18	I/O
F19	I/O
F20	I/O
F21	I/O
F22	I/O
F23	I/O
F24	I/O
F25	I/O
G1	I/O
G2	I/O
G3	TMS
G4	I/O
G5	I/O
G6	I/O
G7	V _{CCI}
G8	NC
G9	NC
G10	NC
G11	NC
G12	NC
G13	NC
G14	NC
G15	NC
G16	NC
G17	NC
G18	GND
G19	V _{CCI}
G20	I/O
G21	I/O
G22	I/O
G23	I/O
G24	I/O
G25	I/O
H1	I/O

624-Pin CCGA	
Pin Number	RT54SX72S Function
H2	I/O
H3	I/O
H4	I/O
H5	I/O
H6	I/O
H7	I/O
H8	V _{CCI}
H9	NC
H10	NC
H11	NC
H12	NC
H13	NC
H14	NC
H15	NC
H16	NC
H17	NC
H18	V _{CCI}
H19	I/O
H20	I/O
H21	I/O
H22	I/O
H23	I/O
H24	GND
H25	I/O
J1	I/O
J2	I/O
J3	I/O
J4	I/O
J5	I/O
J6	I/O
J7	NC
J8	NC
J9	V _{CCI}
J10	NC
J11	NC

624-Pin CCGA	
Pin Number	RT54SX72S Function
J12	NC
J13	NC
J14	NC
J15	NC
J16	NC
J17	V _{CCI}
J18	NC
J19	NC
J20	I/O
J21	V _{CCA}
J22	I/O
J23	I/O
J24	I/O
J25	I/O
K1	I/O
K2	GND
K3	I/O
K4	I/O
K5	I/O
K6	GND
K7	NC
K8	NC
K9	NC
K10	GND
K11	GND
K12	GND
K13	GND
K14	GND
K15	GND
K16	GND
K17	NC
K18	NC
K19	NC
K20	I/O
K21	I/O

624-Pin CCGA	
Pin Number	RT54SX72S Function
K22	I/O
K23	I/O
K24	I/O
K25	I/O
L1	I/O
L2	I/O
L3	I/O
L4	I/O
L5	I/O
L6	I/O
L7	NC
L8	NC
L9	NC
L10	GND
L11	GND
L12	GND
L13	GND
L14	GND
L15	GND
L16	GND
L17	NC
L18	NC
L19	NC
L20	I/O
L21	I/O
L22	I/O
L23	I/O
L24	I/O
L25	I/O
M1	I/O
M2	I/O
M3	I/O
M4	I/O
M5	GND
M6	I/O

624-Pin CCGA	
Pin Number	RT54SX72S Function
M7	NC
M8	NC
M9	NC
M10	GND
M11	GND
M12	GND
M13	GND
M14	GND
M15	GND
M16	GND
M17	NC
M18	NC
M19	NC
M20	I/O
M21	GND
M22	I/O
M23	I/O
M24	GND
M25	I/O
N1	I/O
N2	I/O
N3	I/O
N4	I/O
N5	V _{CCA}
N6	I/O
N7	V _{CCA}
N8	NC
N9	NC
N10	GND
N11	GND
N12	GND
N13	GND
N14	GND
N15	GND
N16	GND

624-Pin CCGA	
Pin Number	RT54SX72S Function
N17	NC
N18	NC
N19	V _{CCA}
N20	I/O
N21	V _{CCA}
N22	I/O
N23	I/O
N24	V _{CCI}
N25	I/O
P1	I/O
P2	I/O
P3	I/O
P4	I/O
P5	I/O
P6	I/O
P7	NC
P8	NC
P9	NC
P10	GND
P11	GND
P12	GND
P13	GND
P14	GND
P15	GND
P16	GND
P17	NC
P18	NC
P19	NC
P20	I/O
P21	GND
P22	I/O
P23	I/O
P24	I/O
P25	I/O
R1	I/O

624-Pin CCGA	
Pin Number	RT54SX72S Function
R2	I/O
R3	I/O
R4	TRST
R5	I/O
R6	GND
R7	NC
R8	NC
R9	NC
R10	GND
R11	GND
R12	GND
R13	GND
R14	GND
R15	GND
R16	GND
R17	NC
R18	NC
R19	NC
R20	I/O
R21	I/O
R22	I/O
R23	I/O
R24	I/O
R25	I/O
T1	I/O
T2	I/O
T3	I/O
T4	I/O
T5	I/O
T6	I/O
T7	I/O
T8	NC
T9	NC
T10	GND
T11	GND

624-Pin CCGA	
Pin Number	RT54SX72S Function
T12	GND
T13	GND
T14	GND
T15	GND
T16	GND
T17	NC
T18	NC
T19	NC
T20	GND
T21	I/O
T22	I/O
T23	I/O
T24	I/O
T25	I/O
U1	I/O
U2	I/O
U3	I/O
U4	I/O
U5	I/O
U6	I/O
U7	I/O
U8	NC
U9	V _{CCI}
U10	NC
U11	NC
U12	NC
U13	NC
U14	NC
U15	NC
U16	NC
U17	V _{CCI}
U18	NC
U19	NC
U20	I/O
U21	I/O

624-Pin CCGA	
Pin Number	RT54SX72S Function
U22	I/O
U23	I/O
U24	I/O
U25	I/O
V1	I/O
V2	I/O
V3	I/O
V4	V _{CCA}
V5	I/O
V6	I/O
V7	GND
V8	V _{CCI}
V9	NC
V10	NC
V11	NC
V12	NC
V13	NC
V14	NC
V15	NC
V16	NC
V17	NC
V18	V _{CCI}
V19	I/O
V20	I/O
V21	I/O
V22	V _{CCA}
V23	I/O
V24	I/O
V25	I/O
W1	I/O
W2	V _{CCI}
W3	I/O
W4	I/O
W5	I/O
W6	I/O

624-Pin CCGA	
Pin Number	RT54SX72S Function
W7	V _{CCI}
W8	NC
W9	NC
W10	NC
W11	NC
W12	NC
W13	NC
W14	NC
W15	NC
W16	NC
W17	NC
W18	I/O
W19	V _{CCI}
W20	I/O
W21	I/O
W22	I/O
W23	I/O
W24	I/O
W25	I/O
Y1	I/O
Y2	I/O
Y3	I/O
Y4	I/O
Y5	I/O
Y6	I/O
Y7	I/O
Y8	I/O
Y9	I/O
Y10	I/O
Y11	NC
Y12	GND
Y13	I/O
Y14	NC
Y15	GND
Y16	I/O

624-Pin CCGA	
Pin Number	RT54SX72S Function
Y17	I/O
Y18	I/O
Y19	I/O
Y20	I/O
Y21	I/O
Y22	I/O
Y23	I/O
Y24	GND
Y25	I/O
AA1	GND
AA2	GND
AA3	I/O
AA4	I/O
AA5	GND
AA6	I/O
AA7	I/O
AA8	I/O
AA9	I/O
AA10	I/O
AA11	I/O
AA12	I/O
AA13	V _{CCA}
AA14	GND
AA15	I/O
AA16	I/O
AA17	I/O
AA18	I/O
AA19	I/O
AA20	I/O
AA21	GND
AA22	I/O
AA23	I/O
AA24	I/O
AA25	GND
AB1	NC

624-Pin CCGA	
Pin Number	RT54SX72S Function
AB2	V _{CCI}
AB3	I/O
AB4	GND
AB5	I/O
AB6	I/O
AB7	I/O
AB8	I/O
AB9	I/O
AB10	I/O
AB11	I/O
AB12	QCLKA, I/O
AB13	I/O
AB14	I/O
AB15	I/O
AB16	I/O
AB17	I/O
AB18	I/O
AB19	I/O
AB20	I/O
AB21	TDO, I/O
AB22	V _{CCI}
AB23	I/O
AB24	V _{CCI}
AB25	NC
AC1	NC
AC2	I/O
AC3	GND
AC4	I/O
AC5	I/O
AC6	I/O
AC7	I/O
AC8	I/O
AC9	I/O
AC10	I/O
AC11	I/O

624-Pin CCGA	
Pin Number	RT54SX72S Function
AC12	PRB, I/O
AC13	I/O
AC14	HCLK
AC15	I/O
AC16	I/O
AC17	I/O
AC18	I/O
AC19	I/O
AC20	I/O
AC21	I/O
AC22	I/O
AC23	GND
AC24	I/O
AC25	NC
AD1	NC
AD2	GND
AD3	V _{CCI}
AD4	GND
AD5	I/O
AD6	I/O
AD7	I/O
AD8	I/O
AD9	I/O
AD10	V _{CCI}
AD11	I/O
AD12	I/O
AD13	I/O
AD14	I/O
AD15	I/O
AD16	GND
AD17	I/O
AD18	I/O
AD19	I/O
AD20	I/O
AD21	I/O

624-Pin CCGA	
Pin Number	RT54SX72S Function
AD22	GND
AD23	V _{CCI}
AD24	GND
AD25	NC
AE1	NC
AE2	NC
AE3	NC
AE4	GND
AE5	I/O
AE6	I/O
AE7	I/O
AE8	I/O
AE9	I/O
AE10	I/O
AE11	I/O
AE12	I/O
AE13	I/O
AE14	QCLKB, I/O
AE15	I/O
AE16	I/O
AE17	I/O
AE18	I/O
AE19	I/O
AE20	I/O
AE21	I/O
AE22	GND
AE23	NC
AE24	NC
AE25	NC

Datasheet Information

List of Changes

The following table lists critical changes that were made to the current version of the document.

Previous version	Changes in current version (v2.2)	Page
v2.1	The "Ordering Information" was updated.	1-ii
v2.0	In Table 2-13, the $I_{OH} = -20\mu A$ and $I_{OL} = \pm 20\mu A$.	2-14
Advanced v1.6	Maximum user I/O in "RTSX-S Product Profile" was updated for the RT54SX72S.	1-i
	Table 2-4 was updated.	2-2
	The "Power Dissipation" section is new.	2-2
	The "Thermal Characteristics" section is new.	2-4
	Table 2-8 was updated.	2-5
	The "Timing Model" was updated.	2-6
	The "User I/O" section is new.	2-8
	Table 2-11 and Table 2-12 were updated.	2-12, 2-13
	Table 2-14 and Table 2-15 were updated.	2-14, 2-15
	Table 2-18 and Table 2-19 were updated.	2-18, 2-18
	Table 2-22 and Table 2-23 were updated.	2-21, 2-21
	The "Module Specifications" section is new.	2-22
	The "Routing Specifications" section is new.	2-27
	The "Global Resources" section is new.	2-29
	QCLK timing data added to Table 2-26 and Table 2-27	2-30, 2-31
	The "Other Architectural Features" section is new.	2-35
	Table 2-34 was updated.	2-36
"208-Pin CQFP" pin table for RT54SX72S was updated.	3-1	
"256-Pin CQFP" pin table for RT54SX72S was updated.	3-5	
"624-Pin CCGA" pin table for RT54SX72S was updated.	3-19	

Previous version	Changes in current version (v2.2)	Page
Advanced v1.5	The "RTSX-S Product Profile" were updated.	page 1
	The "Clock Resources" section was updated.	page 7
	"I/O Modules" was updated.	page 10
	The "RTSX-S Timing Model" figure was updated.	page 23
	The "Input Buffer Delays" figure was updated.	page 24
	The "RTSX-S Timing Model" section on page 23 was updated.	page 23
	The Timing Characteristics were updated on the following pages.	25–27, 31–32
Advanced v1.4	The "RTSX-S Product Profile" table on page 1 was updated.	page 1
	The "Ordering Information" section on page 2 was updated.	page 2
	The "Product Plan" table on page 2 was updated.	page 2
	The "Ceramic Device Resources" table on page 2 was updated.	page 2
	The "SEU Hardened DFF Description" section on page 3 was updated.	page 3
	The "Power Cycling" section on page 12 is new.	page 12
	The "Actel MIL-STD-883 Class B Product Flow" table on page 20 was updated.	page 20
	The "Actel Extended Flow ¹ " table on page 21 was updated.	page 21
	The "256-Pin CCLG*" table on page 45 is new.	page 45
Advanced v1.3	On the CQ208 package for the RT54SX72S, pin 13, the function is I/O and not V _{CCI} .	page 37
Advanced v1.2.3	The "RTSX-S Product Profile" table on page 1 table has been updated.	page 1
	The "Ceramic Device Resources" section on page 2	page 2
	The "Clock Resources" section on page 7 has been updated.	page 7
	Table 1 on page 9 is new.	page 7
	The "I/O Modules" section on page 10 and have been updated.	page 10
	Table 2 on page 10 has been updated.	page 10
	The "Hot Swapping" section on page 10 has been updated.	page 10
	Table 3 on page 11 is new.	page 11
	Table 4 on page 11 has been updated.	page 11
	The "Development Tool Support" section on page 13 has been updated.	page 13
	The "Design Considerations" section on page 14 has been updated.	page 14
	The "Pin Description" section on page 37 has been updated.	page 37
The CG624 (Bottom View) on page 50 is new.	page 50	
Advanced v1.1.2	The "DC Specifications (3.3V PCI Operation)" section on page 18 was updated.	page 18

Previous version	Changes in current version (v2.2)	Page
Advanced v0.3	The "Programmable Interconnect Element" section on page 5 has been updated.	page 5
	The "I/O Modules" section on page 10 and Table 2	page 10
	The "Boundary Scan Testing (BST)" section on page 12 has been updated.	page 12
	The "Dedicated Mode" section on page 12 has been updated.	page 12
	The "Flexible Mode" section on page 12 has been updated.	page 12
	Table 7 on page 13 was changed.	page 13
	The "TRST Pin" section on page 13 has been updated.	page 13
	The "Probing Capabilities" section on page 13 has been updated.	page 13
	Table 8 on page 13 is new.	page 13
	The "Development Tool Support" section on page 13 was changed.	page 13
	The "Recommended Operating Conditions" section on page 14 has been updated.	page 14
	The "3.3V LVTTTL and 5V TTL Electrical Specifications" table on page 15 was changed.	page 15
	The "5V CMOS Electrical Specifications" table on page 15 is new.	page 15
	The "5V PCI Compliance for the RTSX-S Family" table on page 16	page 16
	The "Actel MIL-STD-883 Class B Product Flow" table on page 20 has been updated.	page 20
	The "Actel Extended Flow ¹ " table on page 21 has been updated.	page 21
	The "RTSX-S Timing Model" table on page 23 and the "Hard-Wired Clock" equation were updated.	page 23
The "Pin Description" section on page 37 was updated.	page 37	
Advanced v0.2	The "Product Plan" table on page 2 has been updated.	2
	The "Clock Resources" table on page 7 has been updated.	8
	The "Performance" table on page 9, "I/O Modules" table on page 10, "Hot Swapping" table on page 10, "Boundary Scan Testing (BST)" table on page 12, "TRST Pin" table on page 13, "Development Tool Support" table on page 13, and "RTSX-S Probe Circuit Control Pins" table on page 13 have changed.	9-11
	The "Absolute Maximum Ratings*" table on page 14 and "Recommended Operating Conditions" table on page 14 have been updated.	11
	The "3.3V LVTTTL and 5V TTL Electrical Specifications" table on page 15 and "5V CMOS Electrical Specifications" table on page 15 are new.	12
	The "RTSX-S Timing Model" on page 23 was updated.	22
	New slew rates were added to the "RT54SX32S Timing Characteristics" on page 30, page 31, and page 36.	29, 30, 35

Previous version	Changes in current version (v2.2)	Page
Advanced v0.1.1	The TRSTB pin was incorrectly named and changed to TRST.	All
	In the "RTSX-S Product Profile" table on page 1, the User I/Os have changed.	1
	In the "Ceramic Device Resources" table on page 2, the User I/Os have changed.	2
	The Clock Networks section has changed to "Clock Resources" table on page 7.	8
	The "TRST Pin" table on page 13 has changed.	10
	The "Design Considerations" table on page 14 Design Considerations section has changed.	11
	In the "2.5V/3.3V/5V Operating Conditions" table on page 14 section, the "Absolute Maximum Ratings*" table on page 14 changed. The I _O row containing the I/O Source Sink Current was deleted.	12
	Equation 2 in the "Junction Temperature (T _j)" table on page 22 was corrected.	15
	Note that the "Package Characteristics and Mechanical Drawings" section has been eliminated from the data sheet. The mechanical drawings are now contained in a separate document, "Package Characteristics and Mechanical Drawings," available on the Actel web site.	

Datasheet Categories

In order to provide the latest information to designers, some datasheets are published before data has been fully characterized. Datasheets are designated as "Product Brief," "Advanced," "Production," and "Datasheet Supplement." The definitions of these categories are as follows:

Product Brief

The product brief is a summarized version of a datasheet (advanced or production) containing general product information. This brief gives an overview of specific device and family information.

Advanced

This datasheet version contains initial estimated information based on simulation, other products, devices, or speed grades. This information can be used as estimates, but not for production.

Unmarked (production)

This datasheet version contains information that is considered to be final.

Datasheet Supplement

The datasheet supplement gives specific device information for a derivative family that differs from the general family datasheet. The supplement is to be used in conjunction with the datasheet to obtain more detailed information and for specifications that do not differ between the two families.

Actel and the Actel logo are registered trademarks of Actel Corporation.
All other trademarks are the property of their owners.



<http://www.actel.com>

Actel Corporation

2061 Stierlin Court
Mountain View, CA
94043-4655 USA

Phone 650.318.4200
Fax 650.318.4600

Actel Europe Ltd.

Dunlop House, Riverside Way
Camberley, Surrey GU15 3YL
United Kingdom

Phone +44 (0) 1276 401 450
Fax +44 (0) 1276 401 490

Actel Japan

EXOS Ebisu Bldg. 4F
1-24-14 Ebisu Shibuya-ku
Tokyo 150 Japan

Phone +81.03.3445.7671
Fax +81.03.3445.7668

Actel Hong Kong

39th Floor, One Pacific Place
88 Queensway, Admiralty
Hong Kong

Phone +852.227.35712
Fax +852.227.35999