

## Miniature 10 Amps • 2PDT To MIL-PRF-83536 DC Suppressed Coils

## SPECIFICATIONS

### GENERAL

**Contact Arrangement**..... 2PDT (2 Form C)  
**Weight**..... 1.6 oz approx.

Designed to meet the requirements of MIL-PRF-83536

### PERFORMANCE

#### Contact Rating (Note 1)

Resistive..... 10 Amps @ 28 VDC or  
 115/208V 400 Hz  
 (Case Grounded)  
 Inductive..... 8 Amps @ 28 VDC or  
 (Case Grounded)  
 115/208V 400 Hz  
 2.5 Amps @ 115/208V 60 Hz  
 (Case Grounded)  
 Motor..... 4 Amps @ 28 VDC or  
 115/208V 400 Hz  
 2 Amps @ 115/208V 60 Hz  
 (Case Grounded)  
 Lamp..... 2 Amps @ 28 VDC or  
 115/208V 400 Hz  
 (Case Grounded)  
 1.5 Amps @ 115/208V 60 Hz  
 (Case Grounded)

**Life** ..... 100,000 operations minimum @ rated  
 resistive load, 125°C

**Pull In Power**..... 500 mw approx.

**Operate/Release Time:** **DC Coil**  
 15 ms max  
 Excluding bounce time at nominal coil voltage

**Contact Bounce Time**..... 1 ms max  
 @ rated contact load, 28 VDC

**Contact Voltage Drop:**  
 Before Life ..... 100 mv max @ 10 Amps  
 and 6 VDC  
 After Life ..... 125 mv max @ 10 Amps  
 and 6 VDC

### ENVIRONMENTAL

**Temperature Range**..... -70°C to +125°C  
**Vibration** (Note 2)..... 0.12" DA 10 - 70 Hz  
 30 G's 70 - 3,000 Hz

**Shock (Operating)**(Note 2) ..... 200 G's 6 ms

### ELECTRICAL CHARACTERISTICS

**Duty Cycle**..... Continuous  
**Insulation Resistance** ..... 100 megohms  
 @ 500V 25°C

#### Dielectric Strength:

Sea Level:  
 Contact to Case ..... 1,250 VRMS  
 Contact to Coil ..... 1,250 VRMS  
 Coil to Case ..... 1,000 VRMS  
 Across Open Contacts ..... 1,250 VRMS  
 80,000 Feet:  
 All Points..... 350 VRMS

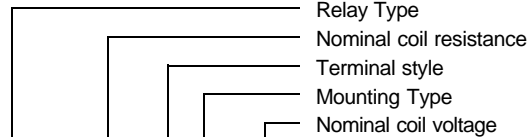
### MIL-PRF-83536/10 QUALIFIED to ER level M

#### Notes:

- For other ratings consult the factory.
- For applications requiring higher shock and vibration, consult the factory.
- AC coil line frequency 50 to 400 Hz.

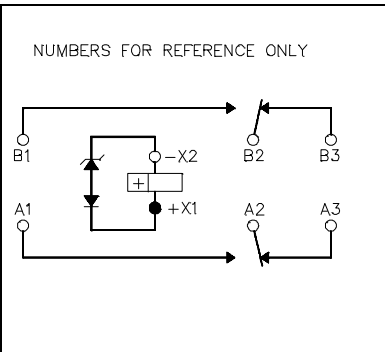
## COIL DATA

MODEL BR246D PART NUMBER	BR246D-20()-6V	BR246D-80()-12V	BR246D-320()-28V	BR246D-1000()-48V
NOMINAL COIL VOLTAGE	6 VDC	12 VDC	28 VDC	48 VDC
MAXIMUM COIL VOLTAGE	8 VDC	15 VDC	29 VDC	59 VDC
PULL IN VOLTAGE (MAX @ +125°C)	4.5 VDC	9 VDC	18 VDC	36 VDC
DROP OUT VOLTAGE (MAX)	1.8 VDC	3.5 VDC	5.1 VDC	11 VDC
MAXIMUM BACK EMF	9 VDC	18 VDC	42 VDC	72 VDC
COIL RESISTANCE ± 10% @ 25°C	20 OHMS	80 OHMS	320 OHMS	1000 OHMS

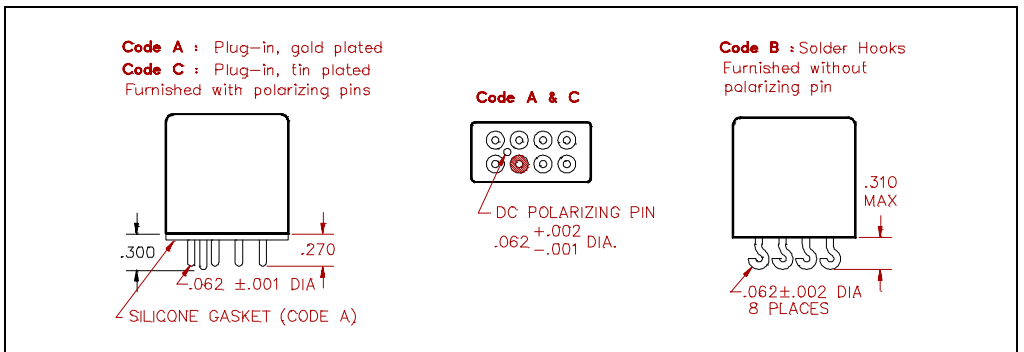


BR246D - 320 C 2 - 28V

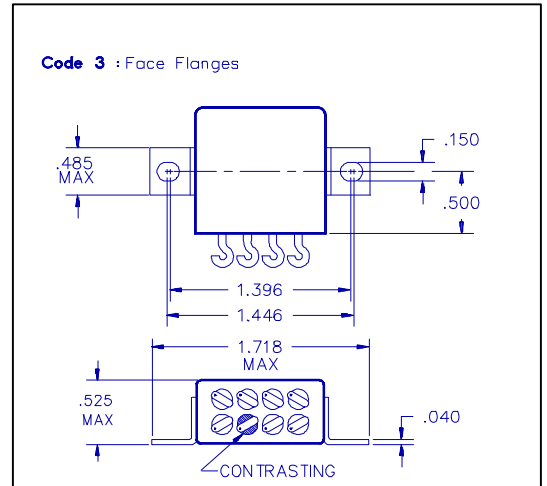
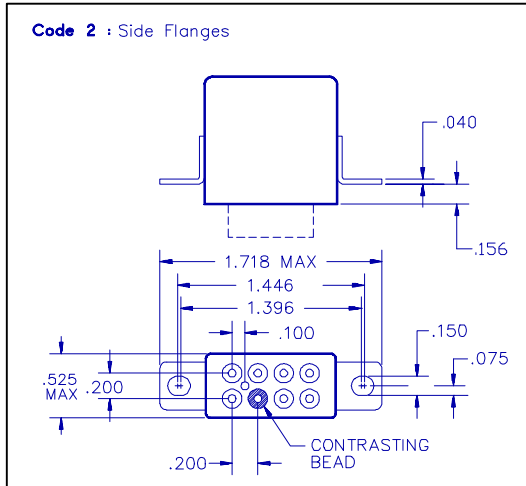
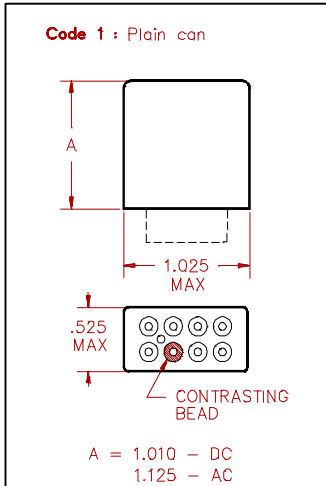
## SCHEMATIC TERMINAL VIEW



## TERMINAL STYLES



## MOUNTING CODES



## GENERAL NOTES

- Unless otherwise specified, all tests made at nominal coil voltages, @ 25°C.
- For special coil variations, switching configurations, terminals styles and mounting types, consult the factory.
- Unless otherwise specified, tolerances on decimal dimensions are ± .010".
- Specifications contained herein are subject to change without notice.