



Miniature 10 Amps • 2PDT To MIL-PRF-83536

SPECIFICATIONS

GENERAL

Contact Arrangement..... 2PDT (2 Form C)
Weight..... 1.6 oz approx.
 Designed to meet the requirements of MIL-PRF-83536

PERFORMANCE

Contact Rating (Note 1)

Resistive..... 10 Amps @ 28 VDC or
 115/208V 400 Hz
 (Case Grounded)
 Inductive..... 8 Amps @ 28 VDC or
 115/208V 400 Hz
 2.5 Amps @ 115/208V 60 Hz
 (Case Grounded)
 Motor..... 4 Amps @ 28 VDC or
 115/208V 400 Hz
 2 Amps @ 115/208V 60 Hz
 (Case Grounded)
 Lamp..... 2 Amps @ 28 VDC or
 115/208V 400 Hz
 1.5 Amps @ 115/208V 60 Hz
 (Case Grounded)

Life 100,000 operations minimum @ rated
 resistive load, 125°C

Pull In Power..... 500 mw approx.

Operate/Release Time: **DC Coil** **AC Coil**
 15 ms max 50 ms max
 Excluding bounce time at nominal coil voltage

Contact Bounce Time..... 1 ms max
 @ rated contact load, 28 VDC

Contact Voltage Drop:
 Before Life 100 mv max @ 10 Amps
 and 6 VDC
 After Life 125 mv max @ 10 Amps
 and 6 VDC

ENVIRONMENTAL

Temperature Range..... -70°C to +125°C
Vibration (Note 2)..... 0.12" DA 10 - 70 Hz
 30 G's 70 - 3,000 Hz
Shock (Operating)(Note 2) 200 G's 6 ms

ELECTRICAL CHARACTERISTICS

Duty Cycle..... Continuous
Insulation Resistance 100 megohms
 @ 500V 25°C

Dielectric Strength:
 Sea Level:
 Contact to Case..... 1,250 VRMS
 Contact to Coil 1,250 VRMS
 Coil to Case 1,000 VRMS
 Across Open Contacts 1,250 VRMS
 80,000 Feet:
 All Points..... 350 VRMS

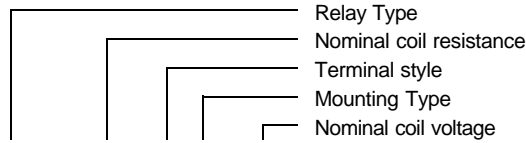
MIL-PRF-83536/9 QUALIFIED to ER level M

Notes

1. For other ratings consult the factory.
2. For applications requiring higher shock and vibration, consult the factory.
3. AC coil line frequency 50 to 400 Hz.

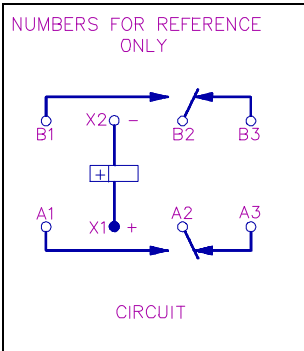
COIL DATA

MODEL BR246 PART NUMBER	BR246-20()()-6V	BR246-80()()-12V	BR246-320()()-28V	BR246-1000()()-48V	BR246AC-()()-115V (Note 3)
NOMINAL COIL VOLTAGE	6 VDC	12 VDC	28 VDC	48 VDC	115 VAC
MAXIMUM COIL VOLTAGE	8 VDC	15 VDC	29 VDC	59 VDC	122 VAC
PULL IN VOLTAGE (MAX @ +125°C)	4.5 VDC	9 VDC	18 VDC	36 VDC	90 VAC
DROP OUT VOLTAGE (MAX)	1.8 VDC	3.5 VDC	5.1 VDC	11 VDC	5 - 30 VAC
COIL RESISTANCE ± 10% @ 25°C	20 OHMS	80 OHMS	320 OHMS	1000 OHMS	I = 0.04 AMPS

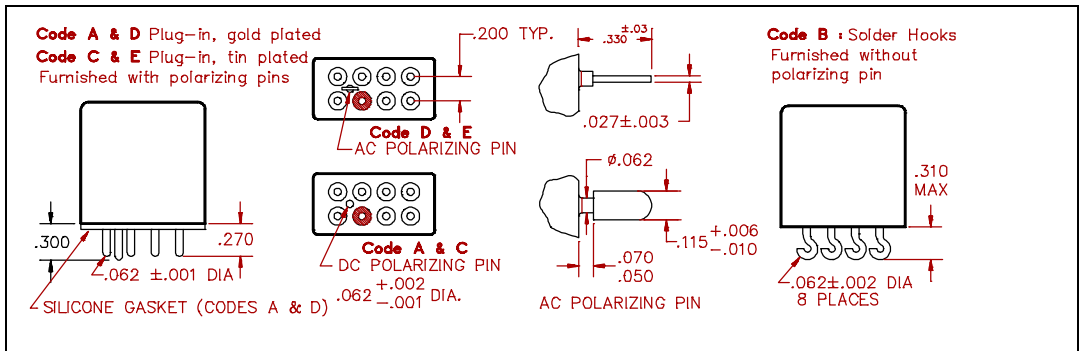


BR246 - 320 C 2 - 28V

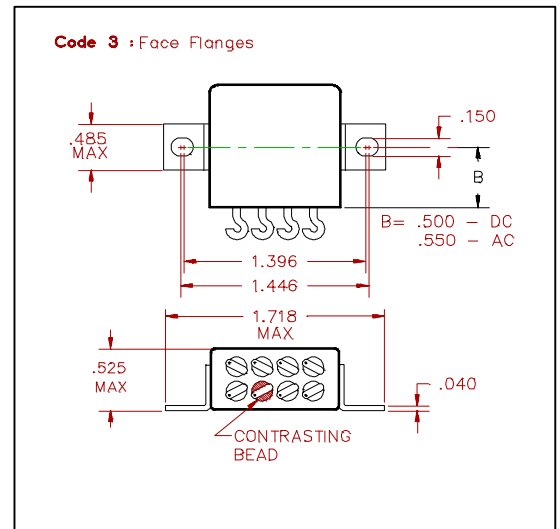
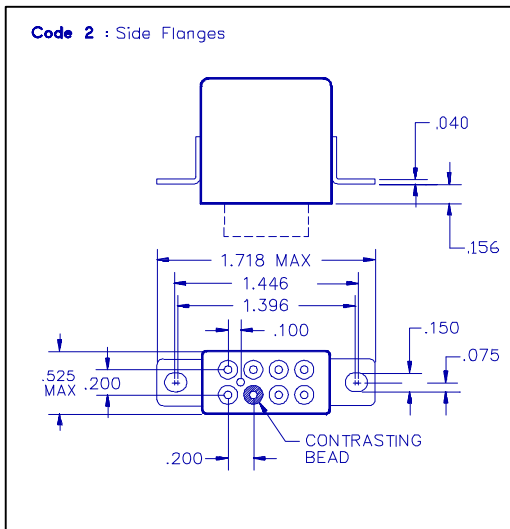
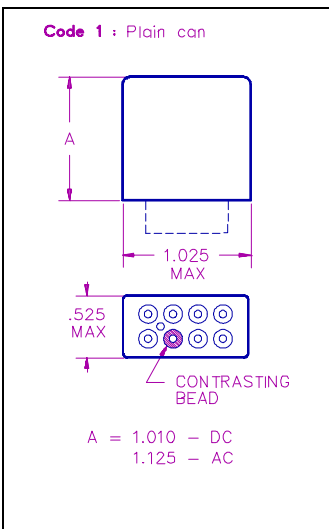
SCHEMATIC TERMINAL VIEWS



TERMINAL STYLES



MOUNTING CODES



GENERAL NOTES

- Unless otherwise specified, all tests made at nominal coil voltages, @ 25°C.
- For special coil variations, switching configurations, terminals styles and mounting types, consult the factory.
- Unless otherwise specified, tolerances on decimal dimensions are ± .010".
- Specifications contained herein are subject to change without notice.