



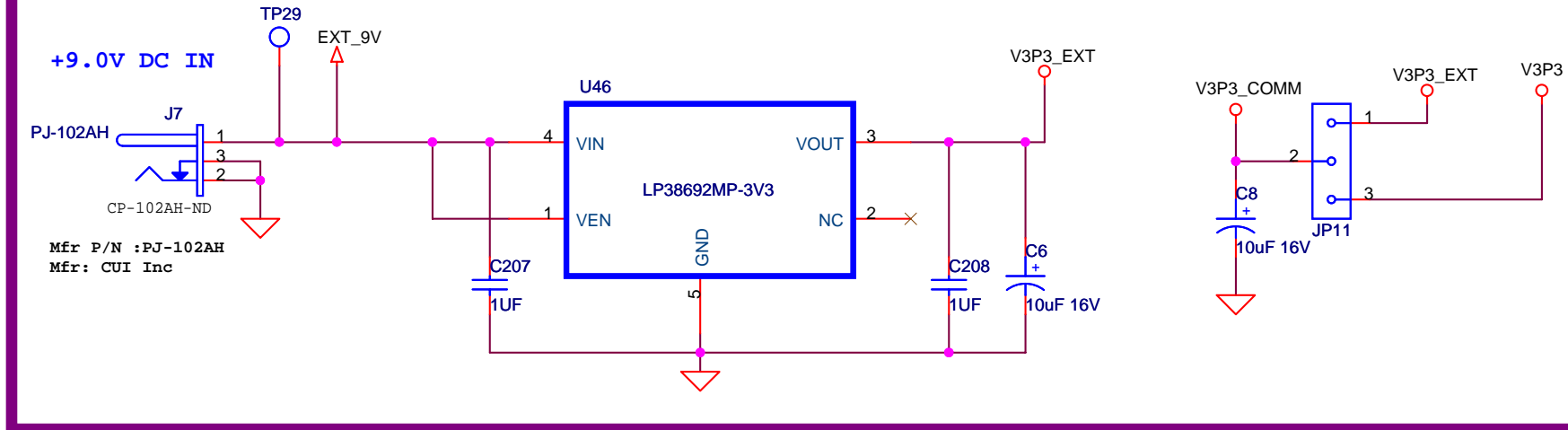
IP-DC-SA

DVP-102-000287-001 Rev B

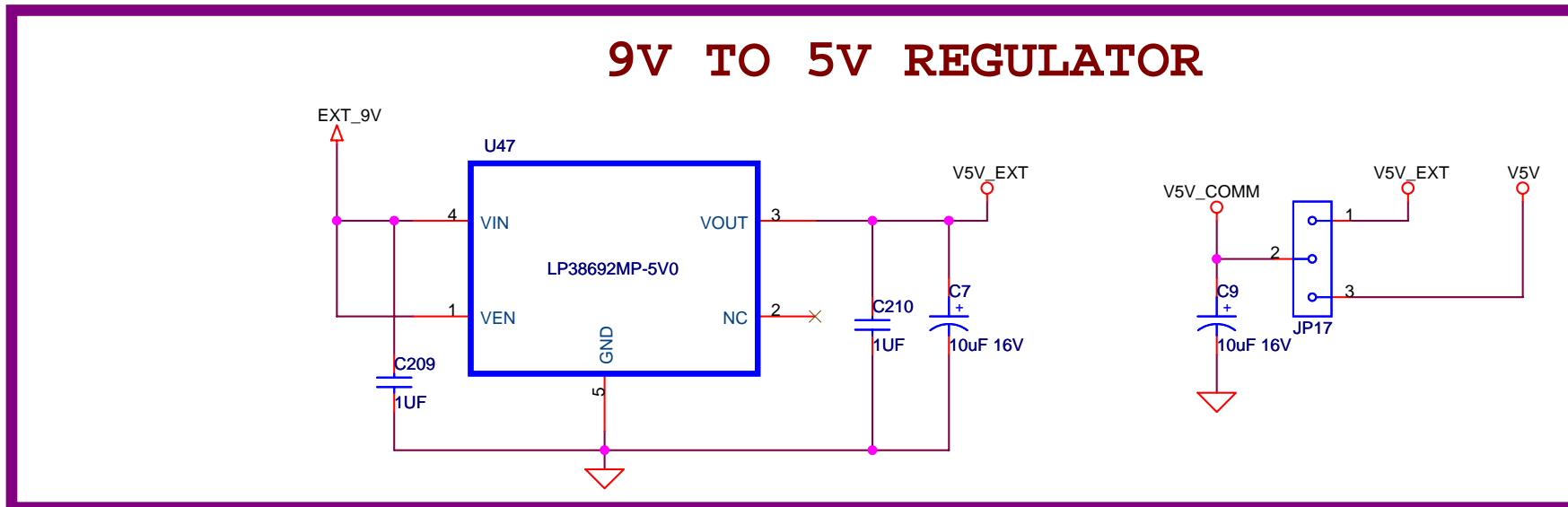
Page NO	TITLE
01	TITLE BLOCK
02	EXTENSION POWER SUPPLY BOARD
03	CAN Interface
04	1553B Interface
05	Core429 Connector
06	P8051 SUPPORT CONNECTOR

Project Name:		IP-DC-SA	
Rev	Part Number:		
B	ACTEL: DVP-102-000287-001	PACTRON: 305-PD-08-617	
Originator:		LINGAMOORTHY ARUMUGAM	
Size	Date:		
A	Wednesday, July 01, 2009	Sheet 1 of 6	

3.3V TO 1.8V REGULATOR



9V TO 5V REGULATOR

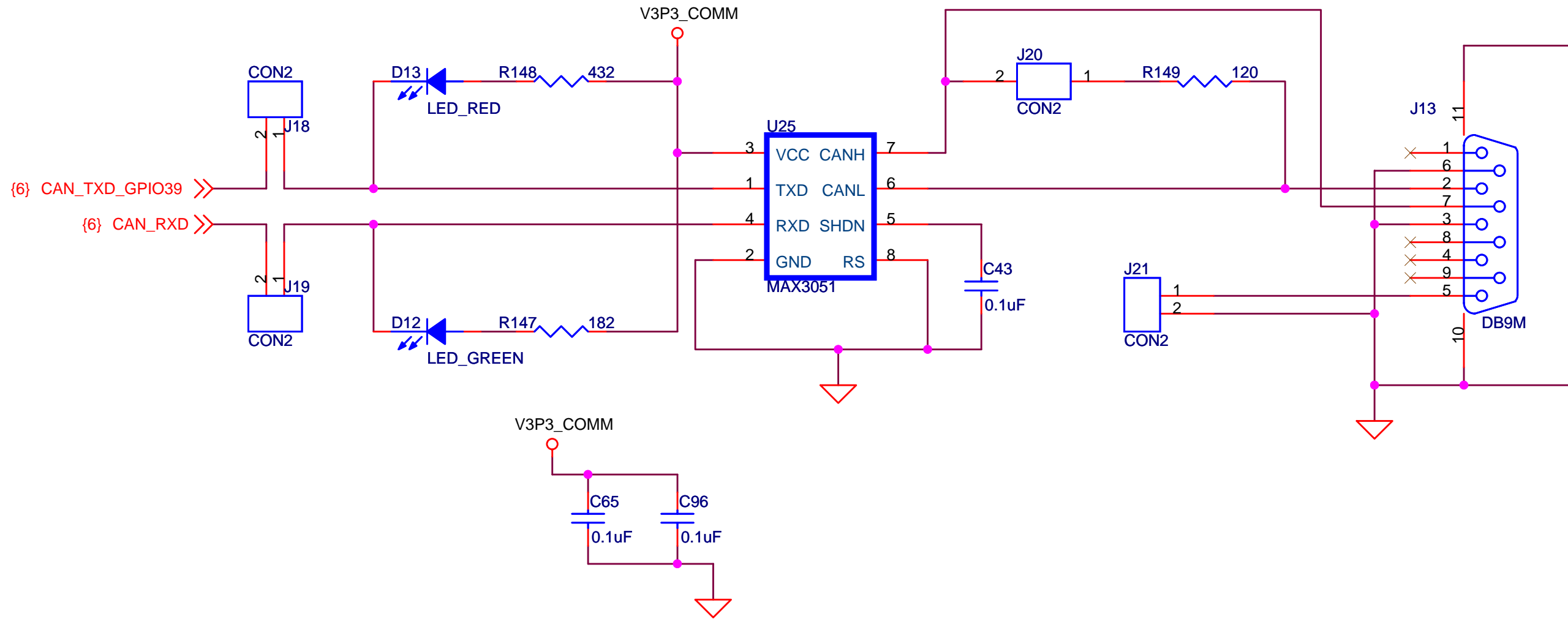


Actel

IP-DC-SA

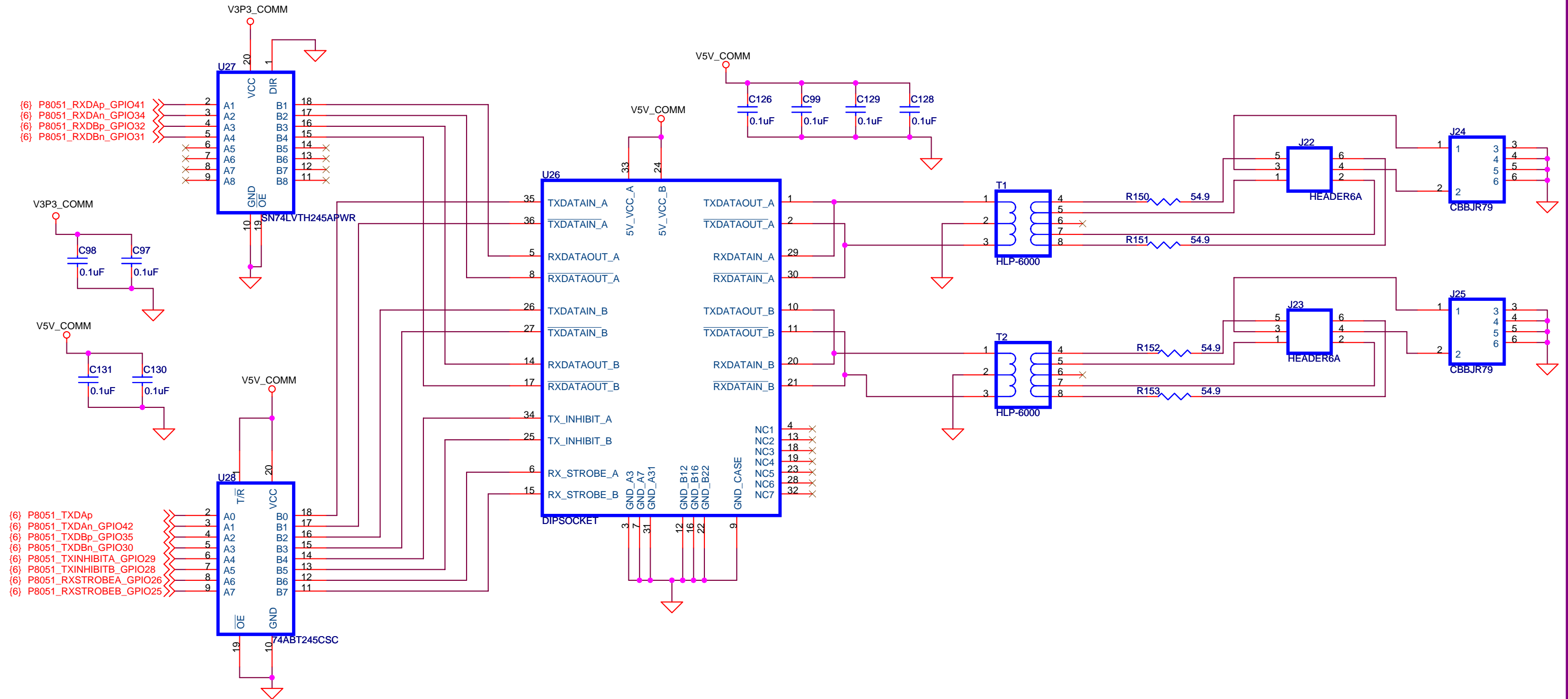
Title		
EXTENSIO BOARD POWER CONNECTION		
Size B	Document Number	Rev B
Date:	Wednesday, July 01, 2009	Sheet 2 of 6

CAN INTERFACE



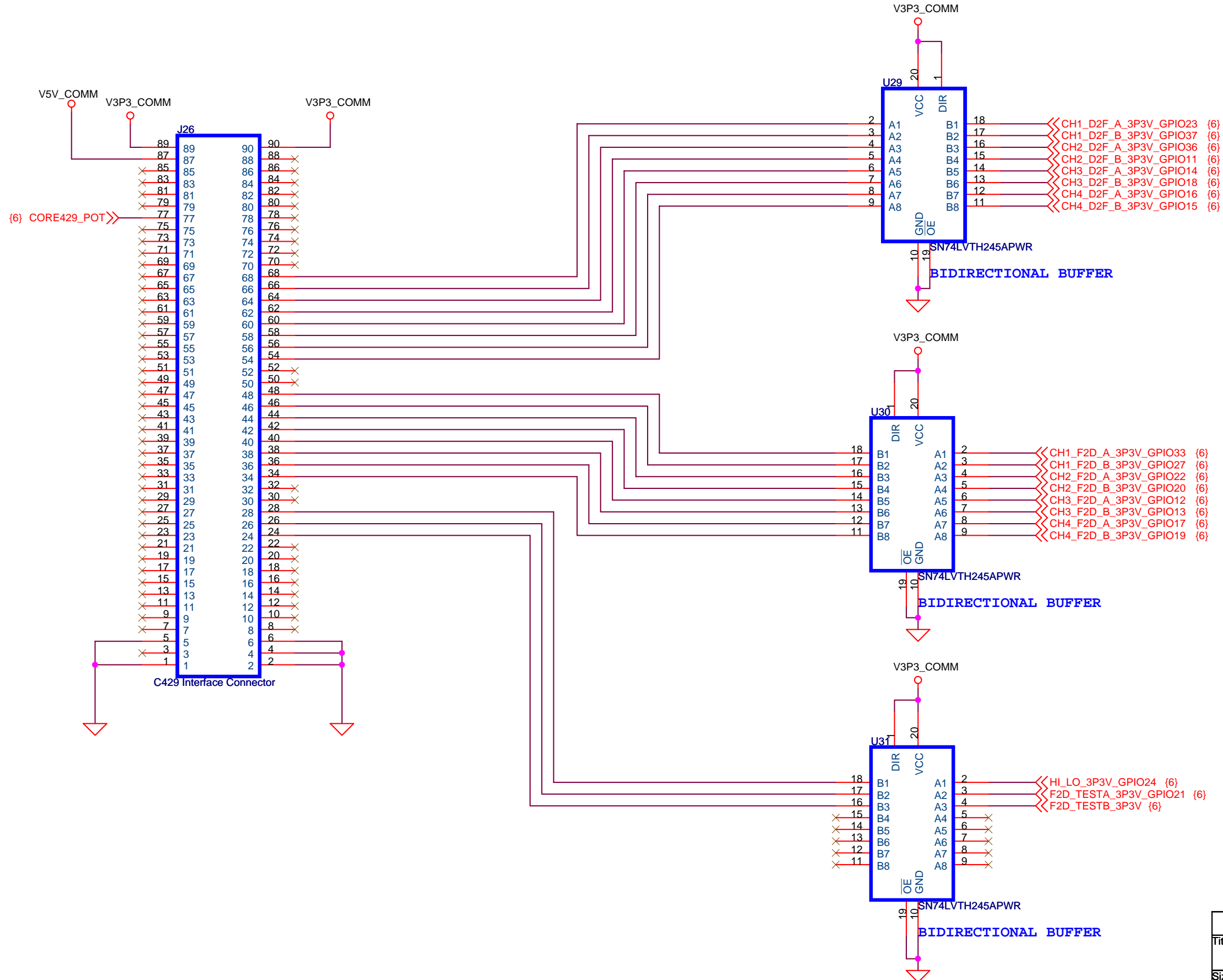
Actel		
IP-DC-SA		
Size A	Document Number Can Interface	Rev B
Date: Wednesday, July 01, 2009	Sheet 3	of 6

1553B Interface



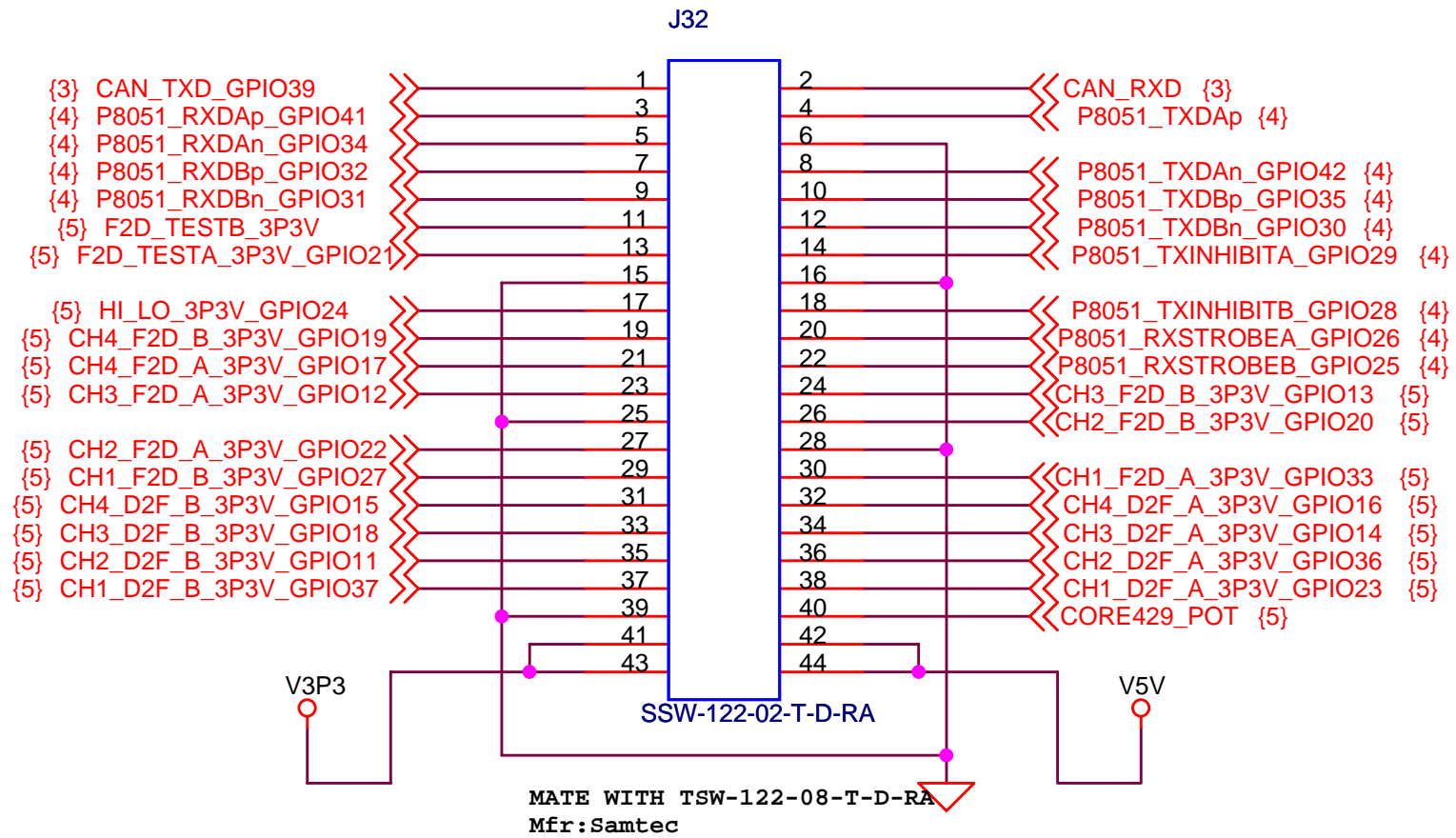
Actel		
IP-DC-SA		
Size B	Document Number 1553B Interface	Rev B
Date:	Wednesday, July 01, 2009	Sheet 4 of 6

CORE 429 CONNECTOR



Actel		
Title IP-DC-SA		
Size B	Document Number Core 429 Connection	Rev B
Date: Wednesday, July 01, 2009	Sheet 5	of 6

P8051 SUPPORT CONNECTOR



Actel

Title

IP-DC-SA

Size
A

Document Number

P8051 SUPPORT CONNECTOR

Rev
B

Date: Wednesday, July 01, 2009

Sheet 6 of 6