

Helping Customers Innovate, Improve & Grow


VV-701

Description

Vectron's VV-701 Voltage Controlled Crystal Oscillator (VCXO) is a quartz stabilized square wave generator with a CMOS output. The VV-701 uses fundamental crystals resulting in low jitter performance and a monolithic IC which improves reliability and reduces cost.

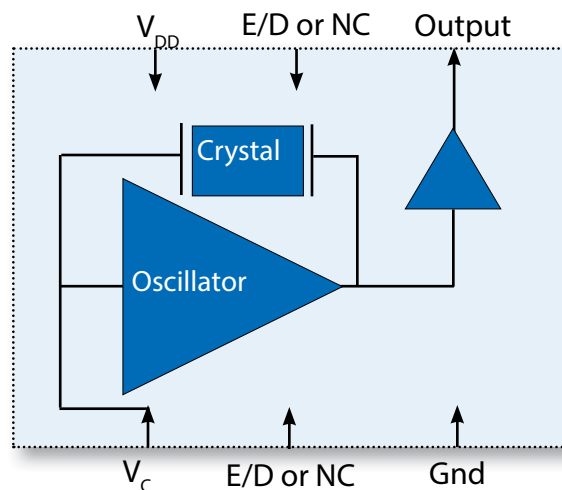
Features

- CMOS output VCXO
- Output Frequencies from 1.544 MHz to 77.760 MHz
- 5.0 or 3.3 V Operation
- High Impedance Control Voltage Option
- Fundamental Crystal Design with Low Jitter Performance
- Output Disable Feature
- Excellent 20ppm Temperature Stability,
- 0/70°C or -40/85°C Operating Temperature
- Small Industry Standard Package, 5.0x7.0x1.8mm
- Product is free of lead and compliant to EC RoHS Directive

Applications

- SONET/SDH/DWDM
- Ethernet, SynchE
- xDSL, PCMIA
- Digital Video
- Broadband Access
- Base Stations, Picocells

Block Diagram



Performance Specifications

Table 1. Electrical Performance

Parameter	Symbol	Min	Typical	Maximum	Units
Supply					
Voltage ¹ , 5V option 3.3V option	V_{DD}	4.750 3.135	5.0 3.3	5.250 3.465	V
Current ² , 5V option, 1.544-30MHz 30.001-50.000 50.001-77.760MHz 3.3V option, 1.544-30MHz 30.001-50.000 50.001-77.760MHz	I_{DD}			10 12 18 5 9 14	mA
Frequency					
Nominal Frequency ³	f_N	1.544		77.760	MHz
Pull Range ^{2,6} , <i>ordering option</i>	APR TPR		$\pm 50, \pm 80, \pm 100$ $\pm 50, \pm 100, \pm 150$		ppm
Linearity ²	Lin		5		%
Gain Transfer ²	K_V		Positive, +65		ppm/V
Temperature Stability	f_{STAB}		± 20		ppm
Outputs					
Output Logic Levels ² Output Logic High Output Logic Low		$0.9 * V_{DD}$		$0.1 * V_{DD}$	V
Load	I_{OUT}			15	pF
Rise Time ^{2,4}	t_R			5	ns
Fall Time ^{2,4}	t_F			5	ns
Symmetry ²	SYM	45	50	55	%
Period Jitter ^{5,7} , RMS (61.44 MHz) Peak-Peak (61.440MHz)	ϕ_J		3.0 23		ps
Jitter ⁸ , 12kHz-20MHz (61.44 MHz)	ϕ_J		90		fs
Phase Noise ⁸ 10Hz 100Hz 1kHz 10kHz 100kHz 1MHz 10MHz			-63 -97 -129 -144 -157 -159 -164		dBc/Hz
Control Voltage					
Control Voltage Range for Pull Range	V_C	0.5 0.3		4.5 3.0	V
Control Voltage Input Impedance "E" Ordering option	Z_{IN}	2	100		K Ω M Ω
Control Voltage Modulation BW	BW	10			kHz
Output Enable/Disable ⁹ Output Enabled Output Disabled		$0.9 * V_{DD}$		$0.1 * V_{DD}$	V
Start-Up Time				10	ms
Operating Temp, <i>ordering option</i>	T_{OP}	0/70 or -40/85			$^{\circ}C$
Package Size		5.0 x 7.0 x 1.8			mm

1] The power supply should have by-pass capacitors as close to the supply and to ground as possible, for examples 0.1 and 0.01uF

2] Parameters are tested with production test circuit (Fig 1).

3] See Standard Frequencies and Ordering Information tables for more specific information

4] Measured from 20% to 80% of a full output swing (Fig 2).

5] Not tested in production, guaranteed by design, verified at qualification.

6] Tested with $V_C = 0.3V$ to $3.0V$ unless otherwise stated in part description

7] Broadband Period Jitter measured using Wavecrest SIA3300C, 90K samples, see Application Note for Typical Phase Noise and Jitter Performance

8] Phase Noise is measured with an Agilent E5052A, see Application Note for Typical Phase Noise and Jitter Performance

9] The Output is Enabled if the Enable/Disable is left open.

Test Circuit

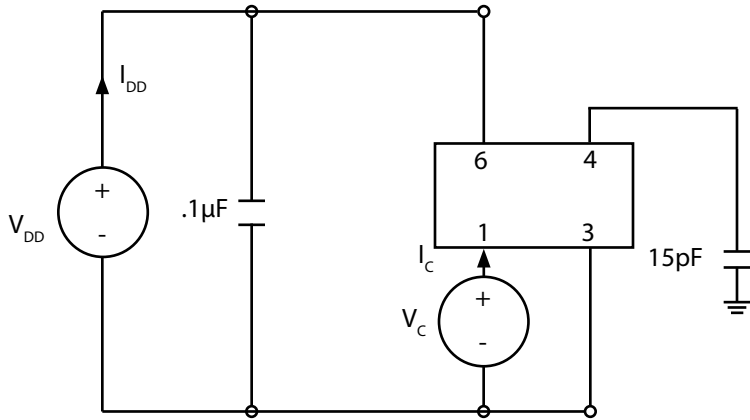


Fig 1: Test Circuit

Waveform

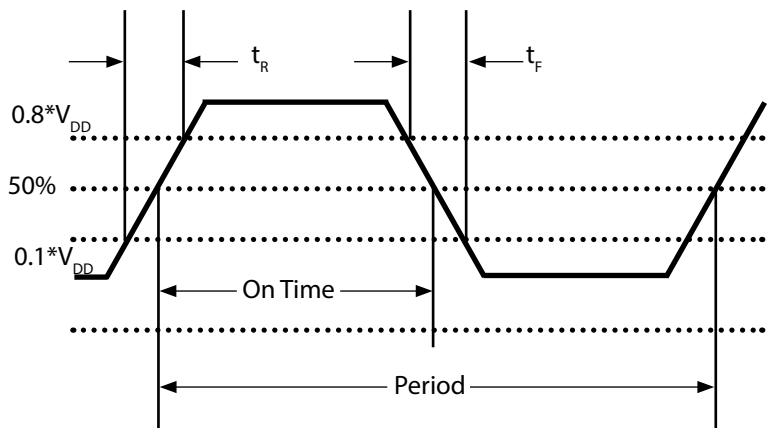


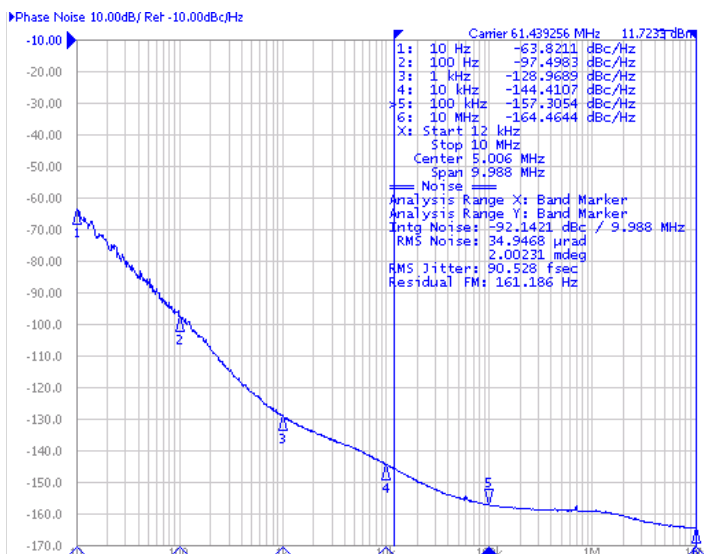
Fig 2: Output Waveform

Table 2. Absolute Maximum Ratings

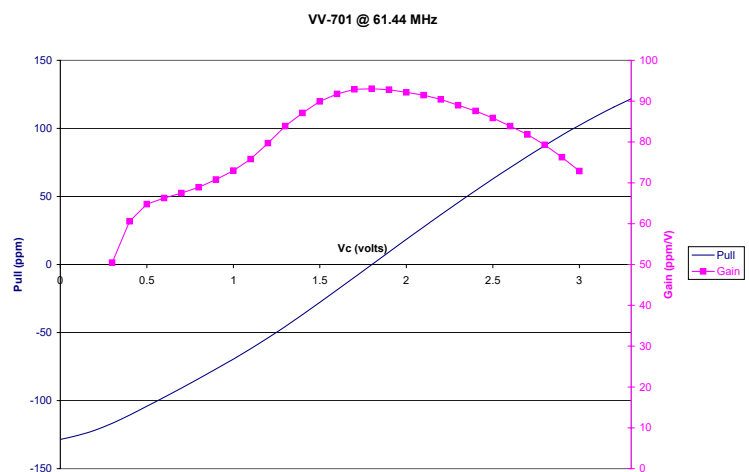
Parameter	Symbol	Ratings	Unit
Power Supply	V_{CC}	0 to 6	V
Voltage Control Range	V_C	0 to V_{CC}	V
Storage Temperature	TS	-55 to 125	°C
Soldering Temp/Time	T_{LS}	260 / 20	°C / sec

Stresses in excess of the absolute maximum ratings can permanently damage the device. Functional operation is not implied at these or any other conditions in excess of conditions represented in the operational sections of this datasheet. Exposure to absolute maximum ratings for extended periods may adversely affect device reliability. Permanent damage is also possible if OD or Vc is applied before Vcc.

Typical Phase Noise



Typical Gain



Reliability

VI qualification includes aging at various extreme temperatures, shock and vibration, temperature cycling, and IR reflow simulation. The VV-701 family is capable of meeting the following qualification tests:

Table 3. Environmental Compliance

Parameter	Conditions
Mechanical Shock	MIL-STD-883, Method 2002
Mechanical Vibration	MIL-STD-883, Method 2007
Solderability	MIL-STD-883, Method 2003
Gross and Fine Leak	MIL-STD-883, Method 1014
Resistance to Solvents	MIL-STD-883, Method 2015
Moisture Sensitivity Level	MSL 1
Contact Pads	Gold over Nickel

Handling Precautions

Although ESD protection circuitry has been designed into the VV-701 proper precautions should be taken when handling and mounting. VI employs a human body model (HBM) and a charged device model (CDM) for ESD susceptibility testing and design protection evaluation.

Table 4. ESD Ratings

Model	Minimum	Conditions
Human Body Model	500V	MIL-STD-883, Method 3015
Charged Device Model	500V	JESD22-C101

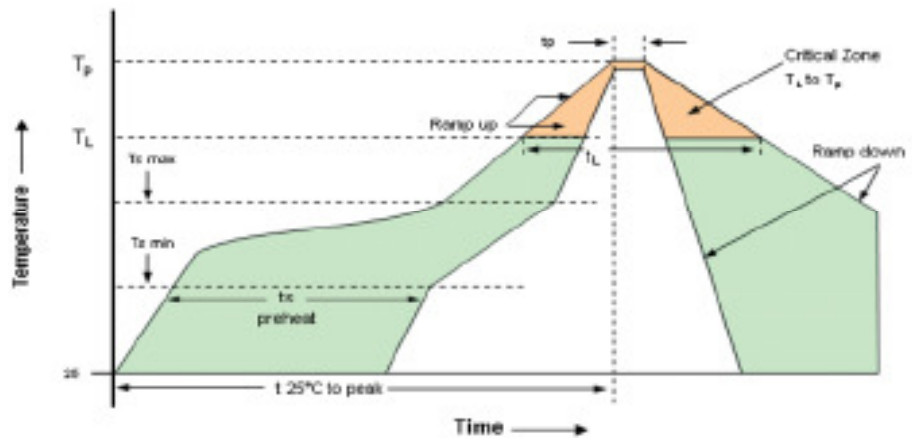
Table 5. Reflow Profile

Parameter	Symbol	Value
PreHeat Time Ts-min Ts-max	t_s	60 sec Min, 260 sec Max 150°C 200°C
Ramp Up	R_{UP}	3 °C/sec Max
Time Above 217 °C	t_L	60 sec Min, 150 sec Max
Time To Peak Temperature	$T_{25C\ to\ peak}$	480 sec Max
Time at 260 °C	t_p	30 sec Max
Ramp Down	R_{DN}	6 °C/sec Max

Solderprofile:

The device is qualified to meet the JEDEC standard for Pb-Free assembly. The temperatures and time intervals listed are based on the Pb-Free small body requirements. The VV-701 device is hermetically sealed so an aqueous wash is not an issue.

Termination Plating:
Electroless Gold Plate over Nickel Plate



Outline Drawing & Pad Layout

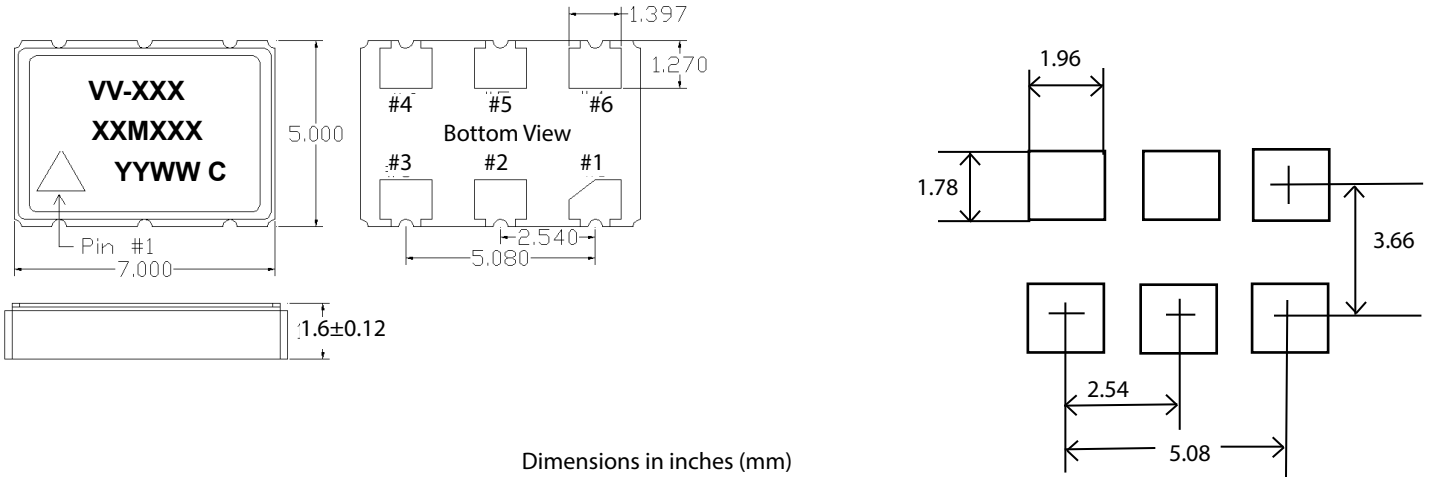


Table 6. Pin Out

Pin	Symbol	Function
1	V_C	VCXO Control Voltage
2	E/D	Enable Disable or NC
3	GND	Case and Electrical Ground
4	Output	Output
5	E/D	Enable Disable or NC
6	V_{DD}	Power Supply Voltage

Tape & Reel (EIA-481-2-A)

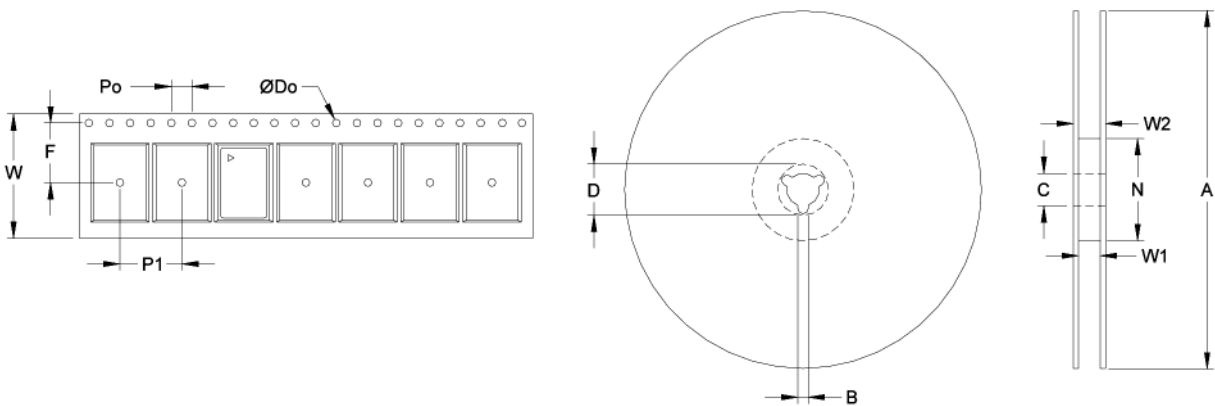


Table 7. Tape and Reel Information

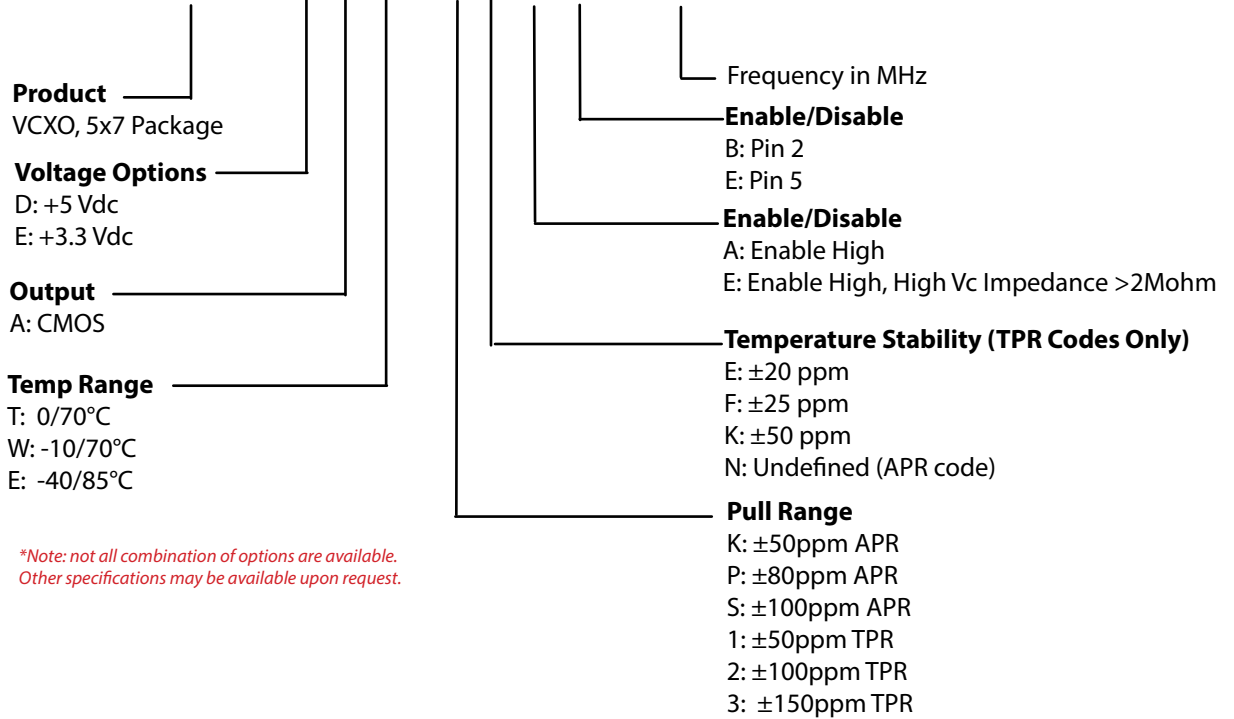
Tape Dimensions (mm)						Reel Dimensions (mm)							
Dimension	W	F	Do	Po	P1	A	B	C	D	N	W1	W2	# Per Reel
Tolerance	Typ	Typ	Typ	Typ	Typ	Typ	Min	Typ	Min	Min	Typ	Max	
VV-701	12	5.5	1.5	4	8	178	1.78	13	20.6	55	12.4	22.4	500

Table 8. Standard Output Frequencies (MHz)

1.54400	2.04800	4.09600	6.17600	8.19200	10.00000	12.00000	12.28800
12.35200	13.00000	14.31800	15.44000	16.00000	16.38400	18.00000	18.43200
19.20000	19.44000	20.00000	20.48000	24.57600	24.70400	25.00000	27.00000
30.00000	32.00000	32.76800	34.36800	35.32800	38.88000	40.00000	40.96000
42.66000	44.73600	48.89600	50.00000	50.68800	51.84000	52.00000	54.00000
57.1429	62.20800	65.53600					

Ordering Information

VV-701- D A T - K N A B- 39M3216000



**Note: not all combination of options are available.
Other specifications may be available upon request.*

Example: VV-701-EAE-KNAB-51M8400000

*** Add SNPBDIP for tin lead solder dip**

Example: VV-701-EAE-KNAB-51M8400000_SNPBDIP



a  MICROCHIP company

Microsemi Headquarters

One Enterprise, Aliso Viejo, CA 92656 USA
Within the USA: +1 (800) 713-4113
Outside the USA: +1 (949) 380-6100
Sales: +1 (949) 380-6136
Fax: +1 (949) 215-4996
email: sales.support@microsemi.com
www.microsemi.com

Microsemi, a wholly owned subsidiary of Microchip Technology Inc. (Nasdaq: MCHP), offers a comprehensive portfolio of semiconductor and system solutions for aerospace & defense, communications, data center and industrial markets. Products include high-performance and radiation-hardened analog mixed-signal integrated circuits, FPGAs, SoCs and ASICs, power management products, timing and synchronization devices and precise time solutions, setting the world's standard for time; voice processing devices; RF solutions; discrete components; enterprise storage and communication solutions, security technologies and scalable anti-tamper products; Ethernet solutions; Power-over-Ethernet ICs and midspans; as well as custom design capabilities and services. Learn more at www.microsemi.com.

Microsemi makes no warranty, representation, or guarantee regarding the information contained herein or the suitability of its products and services for any particular purpose, nor does Microsemi assume any liability whatsoever arising out of the application or use of any product or circuit. The products sold hereunder and any other products sold by Microsemi have been subject to limited testing and should not be used in conjunction with mission-critical equipment or applications. Any performance specifications are believed to be reliable but are not verified, and Buyer must conduct and complete all performance and other testing of the products, alone and together with, or installed in, any end-products. Buyer shall not rely on any data and performance specifications or parameters provided by Microsemi. It is the Buyer's responsibility to independently determine suitability of any products and to test and verify the same. The information provided by Microsemi hereunder is provided "as is, where is" and with all faults, and the entire risk associated with such information is entirely with the Buyer. Microsemi does not grant, explicitly or implicitly, to any party any patent rights, licenses, or any other IP rights, whether with regard to such information itself or anything described by such information. Information provided in this document is proprietary to Microsemi, and Microsemi reserves the right to make any changes to the information in this document or to any products and services at any time without notice.

©2018 Microsemi, a wholly owned subsidiary of Microchip Technology Inc. All rights reserved. Microsemi and the Microsemi logo are registered trademarks of Microsemi Corporation. All other trademarks and service marks are the property of their respective owners.