

HiFive Unleashed Expansion Kit

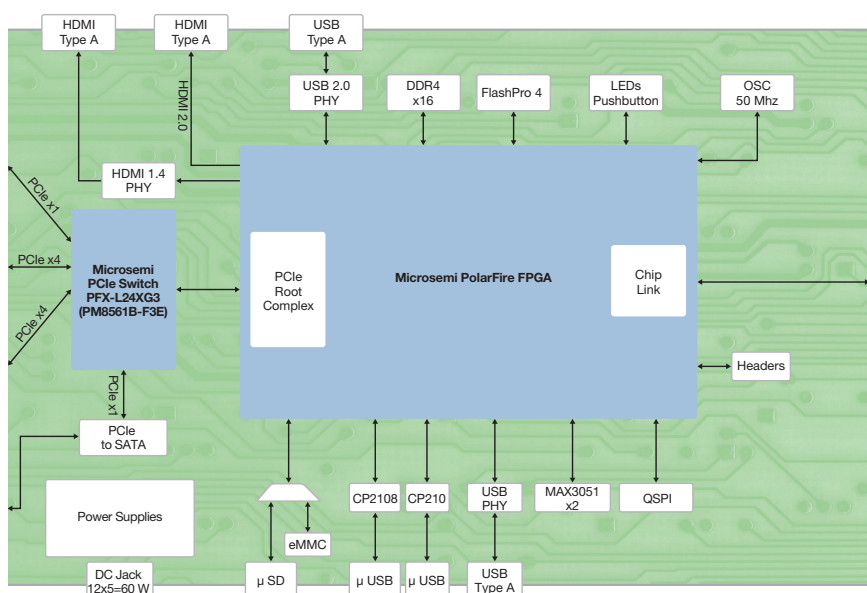
Quickstart Guide

The HiFive Unleashed expansion kit is purpose-built to add PCIe root complex capability to the HiFive Unleashed board. Using these two boards together enables users to create a RISC-V PC that can be used for Linux ecosystem development. This board is shipped with a pre-configured bitstream enabling PCIe root port functionality.

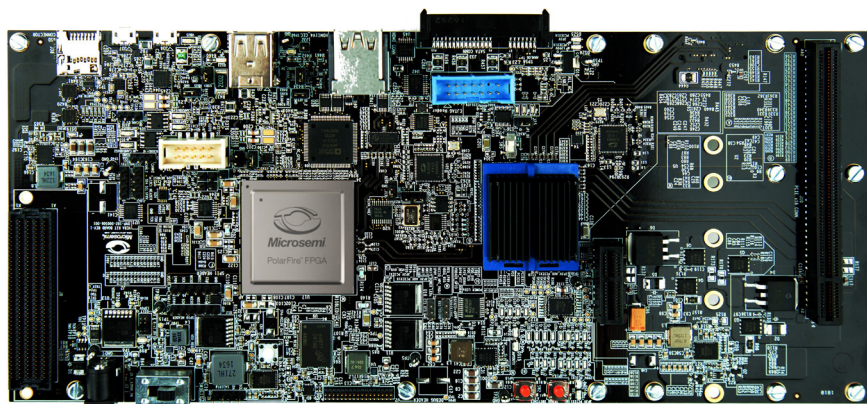
Kit Contents – HFU540-EXP

- HiFive Unleashed expansion board (1)
- USB-A to micro USB-B cable (1)
- 12 V, AC power adapter and cord (1)
- 1-Year Libero Gold software license (\$995 value) (1)
- FlashPro4 programming dongle (1)

Block Diagram



Expansion Board



Hardware Features

- 300K LE PolarFire FPGA in an FCG1152 package (MPF300TS-1FCG1152EES)
- 24-lane PCIe switch
- eMMC Nand Flash, uSD card slot
- USB to Uart bridges
- 4 Gbit DDR4 x16
- PCI Express x1 card connector
- PCI Express x16 card connector with x4 lane support
- SPI Flash for FPGA remote updates, QSPI Flash connected to GPIO
- FMC connection to HFU540-4A00 kit
- SSD M.2 connector
- SATA connector

Getting Started

1. Make sure the SiFive HFU540-4A00 board has the correct application image. See SiFive's getting started guide at <https://www.sifive.com/documentation/boards/hifive-unleashed/hifive-unleashed-getting-started-guide/>.
2. Update the PolarFire FPGA with the FPGA bitstream labeled **HFU540_EXP_Bitstream_r10101.stp** from <https://www.microsemi.com/hifive-unleashed-expansion-board>. Use the FlashPro4 programmer and the programming and debug software for PolarFire available for download at https://www.microsemi.com/document-portal/doc_download/1243247-download-programming-and-debug-polarfire-v2-1-for-windows. Launch the installed FlashPro software and create a new project. Click on **Configure Device** and browse to the FPGA bitstream you downloaded.
3. Push the HFU540-4A00 power button on, as indicated in the HiFive Unleashed getting started guide. Do not use the SiFive supplied power supply.
4. Connect the power supply to the Microsemi expansion board. It will power the SiFive board.
5. Slide the HFU540-EXP power switch (SW3) on. Boot messages should now appear on your console.

Microsemi makes no warranty, representation, or guarantee regarding the information contained herein or the suitability of its products and services for any particular purpose, nor does Microsemi assume any liability whatsoever arising out of the application or use of any product or circuit. The products sold hereunder and any other products sold by Microsemi have been subject to limited testing and should not be used in conjunction with mission-critical equipment or applications. Any performance specifications are believed to be reliable but are not verified, and Buyer must conduct and complete all performance and other testing of the products, alone and together with, or installed in, any end-products. Buyer shall not rely on any data and performance specifications or parameters provided by Microsemi. It is the Buyer's responsibility to independently determine suitability of any products and to test and verify the same. The information provided by Microsemi hereunder is provided "as is, where is" and with all faults, and the entire risk associated with such information is entirely with the Buyer. Microsemi does not grant, explicitly or implicitly, to any party any patent rights, licenses, or any other IP rights, whether with regard to such information itself or anything described by such information. Information provided in this document is proprietary to Microsemi, and Microsemi reserves the right to make any changes to the information in this document or to any products and services at any time without notice.

HiFive Unleashed Expansion Kit

Quickstart Guide

Jumper Settings

Switch	Ref Des	Section	Description	Definition	Default
1	SW3	Power switch	Sliding switch for 12 V input	Open: DC adaptor 12 V is not connected to the board power Close: DC adaptor 12 V is connected to board power supplies	Open
2	SW5	PCIe switch (Switchtec)	Selection of Normal/Boot Recovery mode for PCIe switch	0: Boot recovery mode 1: Normal mode	1–2: Normal mode
3	J25	SATA controller	Between SPI Flash output to input of PCIe to SATA controller	Open: SPI flash o/p is not connected to PCIe to SATA controller Close: SPI flash o/p is connected to PCIe to SATA controller	Close
5	J31	USB instance 1	VBUS source selection (on-board 5 V/USB connector)	Open: VBUS sourced by USB connector (Device mode) Close: On-board 5 V to USB CONN (Host mode)	Close
6	J27	USB instance 2	Configuring USB PHY (U60) as Host/device	Open: USB3340 acts as device Close: USB3340 acts as host	Close
7	J30	USB instance 2	VBUS source selection (on-board 5 V/USB connector)	Open: VBUS sourced by USB connector (Device mode) Close: On-board 5 V to USB CONN (Host mode)	Close
8	J21	SC-SPI	SC-SPI I/O configuration interface	Open: SC SPI acts as master Close: SC SPI acts as slave	Close
9	J22	JTAG	Weak pull down to JTAG TRSTB	Open: 1K pull down connected to TRSTB Close: 1K 100K pull down connected to TRSTB	Open
11	J4	FMC bank IO voltage	FMC VADJ voltage selection	1–2: VADJ is set to 3.3 V 3–4: VADJ is set to 2.5 V 5–6: VADJ is set to 1.8 V 7–8: VADJ is set to 1.5 V 9–10: VADJ is set to 1.2 V	5–6: VADJ is set to 1.8 V

Software and Licensing

Libero® SoC PolarFire design suite is required for designing with the PolarFire evaluation kit. The Libero® SoC PolarFire design suite offers high productivity with its comprehensive, easy-to-learn, easy-to-adopt development tools for designing with Microsemi's low power Flash FPGAs and SoC. The suite integrates industry standard Synopsys Synplify Pro® synthesis and Mentor Graphics ModelSim® simulation with best-in-class constraints management, and debug capabilities.

Download the latest Libero SoC PolarFire release at <http://www.microsemi.com/products/fpga-soc/design-resources/design-software/libero-soc-polarfire#downloads>

A Gold license is required to reprogram the Microsemi HiFive Unleashed expansion kit. The same procedure used for licensing the PolarFire evaluation kit can be used for this kit. A software ID letter enclosed with the kit contains the software ID and instructions on how to generate a Libero Gold license. For more information, see www.microsemi.com/products/fpga-soc/design-resources/dev-kits/polarfire/polarfire-eval-kit#licensing

Documentation and Support

Documentation and updated FPGA bitstreams for this board are available online at <https://www.microsemi.com/hifive-unleashed-expansion-board>

Technical support is available online at <https://forums.sifive.com/c/hifive-unleashed>



Microsemi Corporate Headquarters
 One Enterprise, Aliso Viejo, CA 92656 USA
 Within the USA: +1 (800) 713-4113
 Outside the USA: +1 (949) 380-6100
 Fax: +1 (949) 215-4996
 Email: sales.support@microsemi.com
www.microsemi.com

Microsemi Corporation (Nasdaq: MSCC) offers a comprehensive portfolio of semiconductor and system solutions for aerospace & defense, communications, data center and industrial markets. Products include high-performance and radiation-hardened analog mixed-signal integrated circuits, FPGAs, SoCs and ASICs; power management products; timing and synchronization devices and precise time solutions, setting the world's standard for time; voice processing devices; RF solutions; discrete components; enterprise storage and communication solutions, security technologies and scalable anti-tamper products; Ethernet solutions; Power-over-Ethernet ICs and midspans; as well as custom design capabilities and services. Microsemi is headquartered in Aliso Viejo, California and has approximately 4,800 employees globally. Learn more at www.microsemi.com.