

RECTIFIERS

Military Approved, 1 Amp,
General Purpose

JAN & JANTX 1N3611-1N3614

FEATURES

- Qualified to MIL S 19500/228
- Continuous Rating: 1A
- Surge Rating: 30A
- PIV: to 800V

DESCRIPTION

This series of MIL approved JAN and JANTX general purpose 1amp rectifiers are useful in many high rel applications.

ABSOLUTE MAXIMUM RATINGS

| Peak Reverse Voltage Min. | Reverse Working Voltage | Type |
|---------------------------|-------------------------|--------------------|
| 240V | 200V | JAN & JANTX 1N3611 |
| 480V | 400V | JAN & JANTX 1N3612 |
| 720V | 600V | JAN & JANTX 1N3613 |
| 920V | 800V | JAN & JANTX 1N3614 |

Maximum Average D.C. Output Current

@ $T_A = 100^\circ\text{C}$ 1.0A

@ $T_A = 150^\circ\text{C}$ 0.3A

Non-Repetitive Sinusoidal

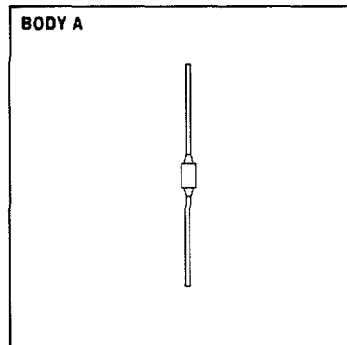
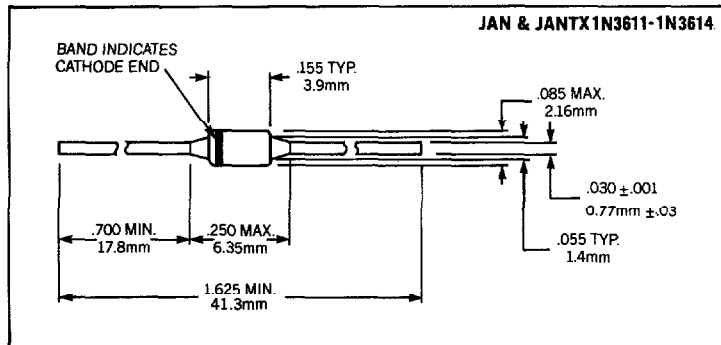
Surge Current (8.3ms) 30A

Operating Temperature Range -65°C to $+175^\circ\text{C}$

Storage Temperature Range -65°C to $+200^\circ\text{C}$

Thermal Resistance See Lead Temperature Derating Curve

MECHANICAL SPECIFICATIONS

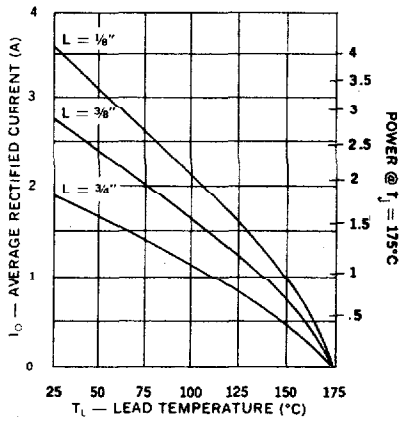


THESE DEVICES ALSO AVAILABLE IN SURFACE MOUNT PACKAGE. SEE SECTION 10

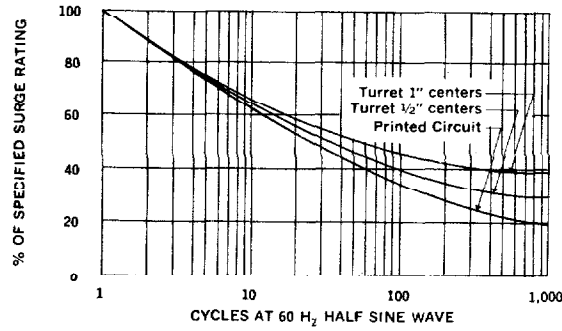
ELECTRICAL SPECIFICATIONS (at 25°C unless noted)

| Type | Peak Reverse D.C. Voltage | Minimum Reverse Breakdown Voltage @ 100µA | Peak Forward Voltage | | Maximum D.C. Reverse Current at D.C. Voltage | |
|--------------------|---------------------------|---|----------------------|----------|--|-------|
| | | | Min. | Max. | 25°C | 150°C |
| JAN & JANTX 1N3611 | 200V | 240V | 0.6V @ 1.0A | 1.1V(pk) | 1µA | 300µA |
| JAN & JANTX 1N3612 | 400V | 480V | | | | |
| JAN & JANTX 1N3613 | 600V | 720V | | | | |
| JAN & JANTX 1N3614 | 800V | 920V | | | | |

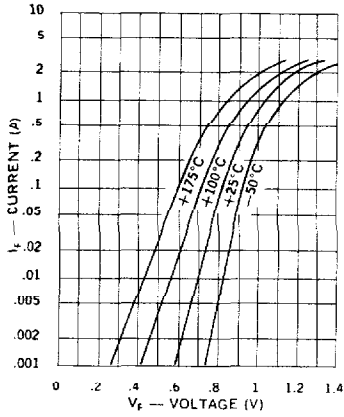
Maximum Current vs Lead Temperature



Allowable Forward Surge vs Number of Cycles



Typical Forward Current vs Forward Voltage



Typical Reverse Current vs PIV

