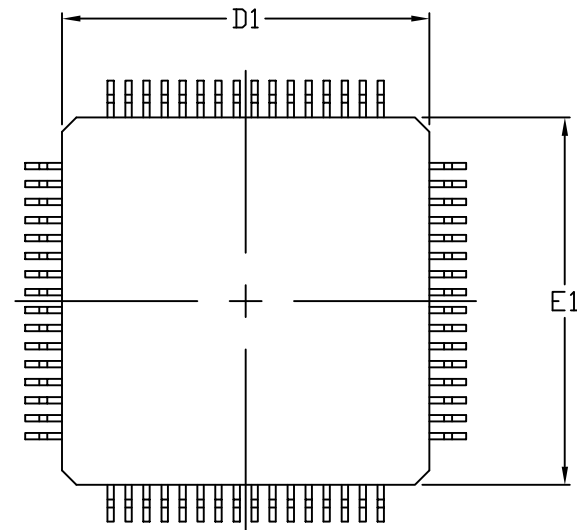
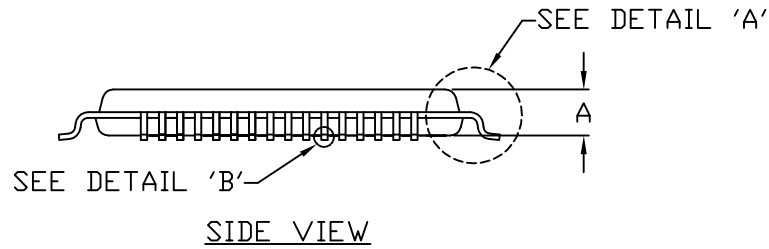


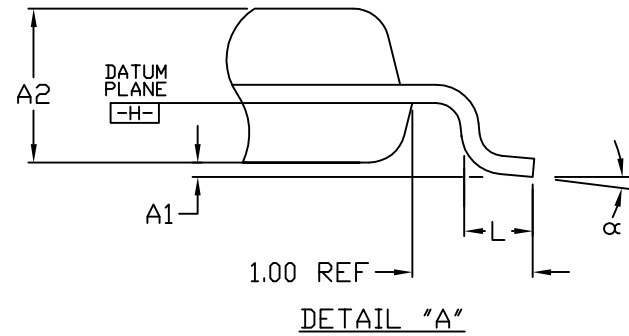
TOP VIEW



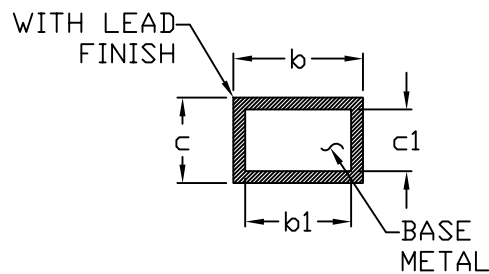
BOTTOM VIEW



SIDE VIEW



DETAIL "A"



LEAD TIP DETAIL  
DETAIL 'B'

-DRAWING NOT TO SCALE-

TITLE: PACKAGE OUTLINE, 64L LQFP, 10x10x1.4mm			
APPROVAL	DOCUMENT CONTROL NO. 21-0083	REV. G	1/2

NOTES:

1. ALL DIMENSIONING AND TOLERANCING CONFORM TO ANSI Y14.5-1982.
2. DATUM PLANE  $\square$  IS LOCATED AT MOLD PARTING LINE AND COINCIDENT WITH LEAD, WHERE LEAD EXITS PLASTIC BODY AT BOTTOM OF PARTING LINE.
3. DIMENSIONS D1 AND E1 DO NOT INCLUDE MOLD PROTRUSION. ALLOWABLE MOLD PROTRUSION IS 0.25 MM ON D1 AND E1 DIMENSIONS.
4. THE TOP OF PACKAGE IS SMALLER THAN THE BOTTOM OF PACKAGE BY 0.15 MILLIMETERS.
5. DIMENSION  $b$  DOES NOT INCLUDE DAMBAR PROTRUSION. ALLOWABLE DAMBAR PROTRUSION SHALL BE 0.08 MM TOTAL IN EXCESS OF THE  $b$  DIMENSION AT MAXIMUM MATERIAL CONDITION.
6. ALL DIMENSIONS ARE IN MILLIMETERS.
7. THIS OUTLINE CONFORMS TO JEDEC PUBLICATION 95, REGISTRATION MS-026, VARIATION BCD.
8. LEADS SHALL BE COPLANAR WITHIN .004 INCH.
9. MARKING SHOWN IS FOR PACKAGE ORIENTATION REFERENCE ONLY.
10. ALL DIMENSIONS APPLY TO BOTH LEADED (-) AND PbFREE (+) PACKAGE CODES.

JEDEC VARIATION		
	BCD	
	64 LEAD	
	MIN.	MAX.
A	---	1.60
A1	0.05	0.15
A2	1.35	1.45
D	11.80	12.20
D1	9.80	10.20
E	11.80	12.20
E1	9.80	10.20
e	0.50 BSC.	
L	0.45	0.75
b	0.17	0.27
b1	0.17	0.23
c	0.09	0.20
c1	0.09	0.16
$\alpha$	0°	7°
PKG. CODES	C64-1; C64-5; C64-8; C64-12;	

-DRAWING NOT TO SCALE-

TITLE: PACKAGE OUTLINE, 64L LQFP, 10x10x1.4mm			
APPROVAL	DOCUMENT CONTROL NO. 21-0083	REV. G	2/2